



ATOM FIXTURE INSTALLATION GUIDE

Tech Support: 212.629.6830



Our US team is in place to answer all of your product questions and help with installations.



U.S. 24-HR TECHNICAL SUPPORT

(+1) 212 629 6830 *301
Tech@GENLEDBrands.com



U.S. PRICING & SALES SUPPORT

(+1) 212 629 6830 *300
Sales-US@GENLEDBrands.com



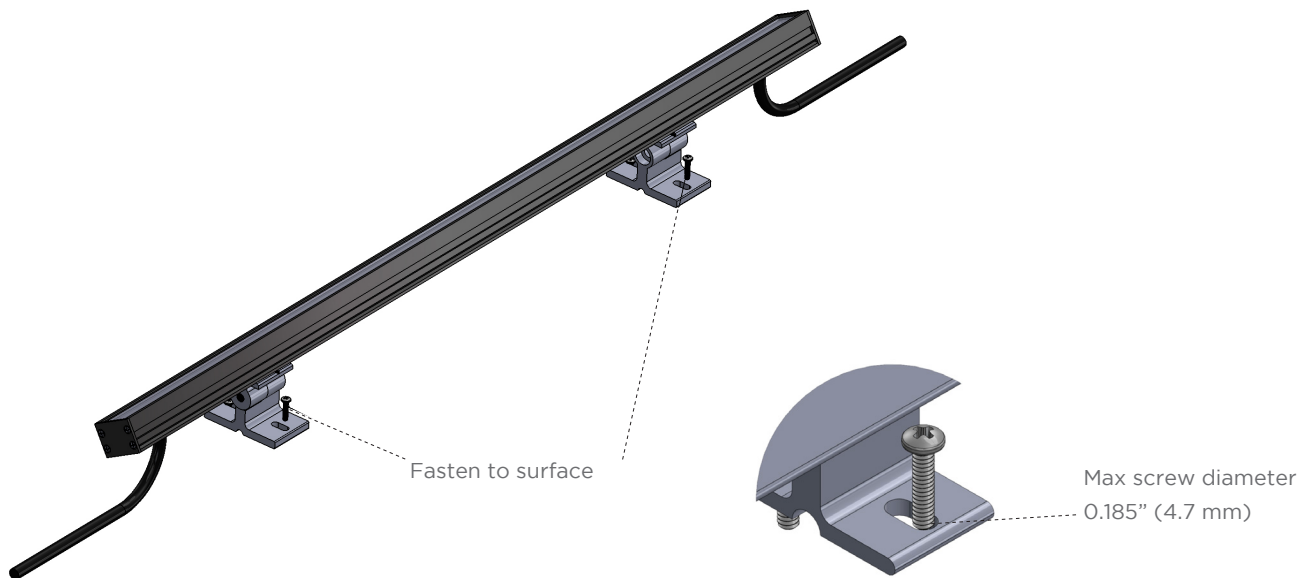
U.S. CUSTOMER SERVICE

(+1) 212 629 6830 *304
CustomerService@GENLEDBrands.com

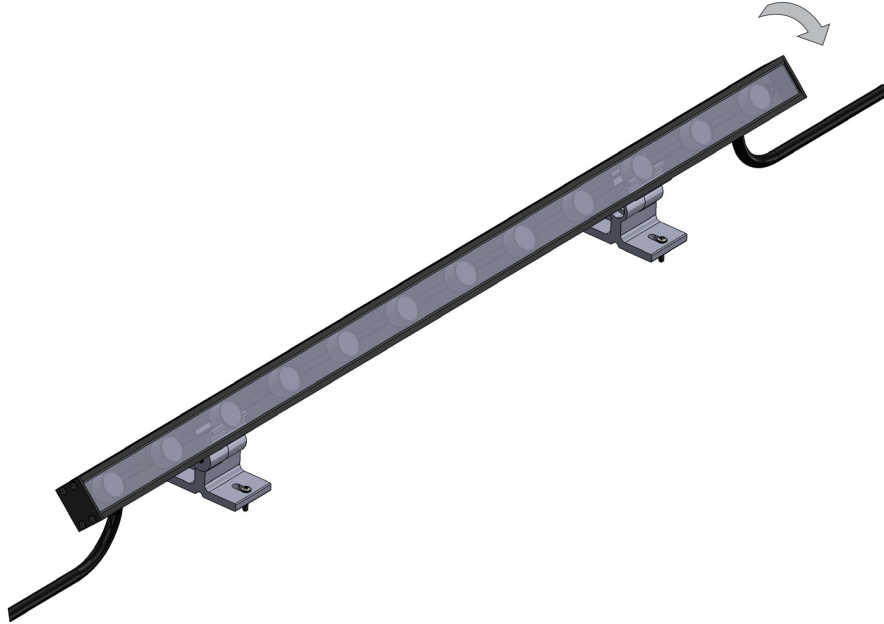
1. Tilt the fixture top to one side and position the fixture at the desired location.



2. Screw in the screws through the screw holes on the tiltable stands.



3. Tilt the fixture top to the other side and screw in the screws through the screw holes on the tiltable stands same as Step 2.



4. Connect to power supply and to additional fixture if desire to complete the installation.

