



---

# AP1 INSTALLATION GUIDE

Tech Support: 212.629.6830



Our U.S. V team is in place to answer all of your product questions and help with installations.



**U.S. 24-HR TECHNICAL SUPPORT**

(+1) 212 629 6830 \*301  
[Tech@GENLEDBrands.com](mailto:Tech@GENLEDBrands.com)



**U.S. PRICING & SALES SUPPORT**

(+1) 212 629 6830 \*300  
[Sales-US@GENLEDBrands.com](mailto:Sales-US@GENLEDBrands.com)

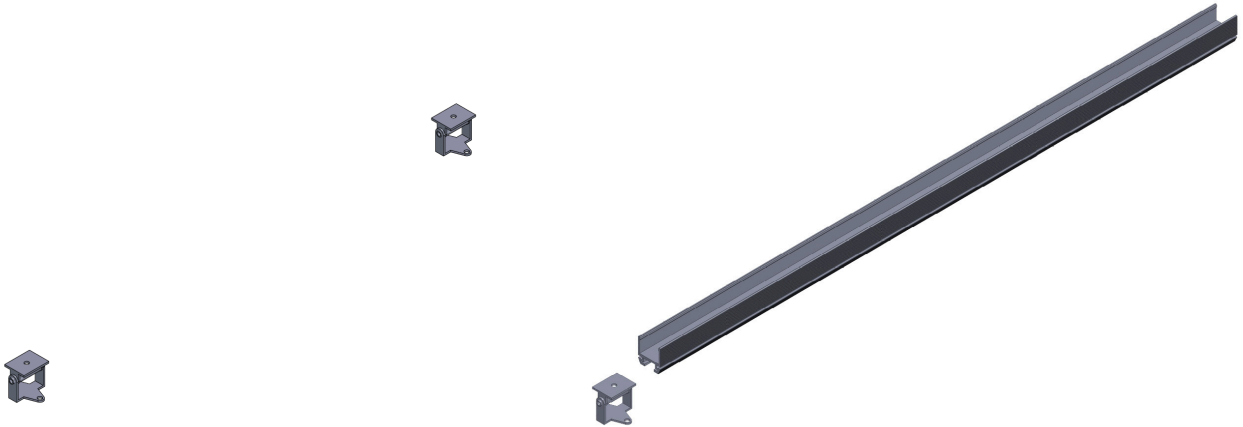


**U.S. CUSTOMER SERVICE**

(+1) 212 629 6830 \*304  
[CustomerService@GENLEDBrands.com](mailto:CustomerService@GENLEDBrands.com)

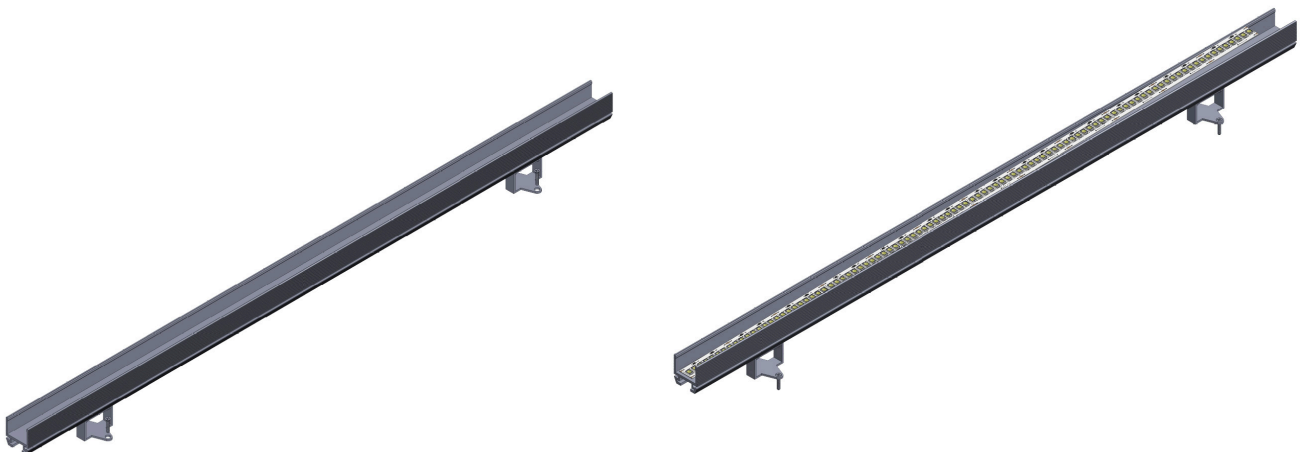
1. Place the tiltable stands along the desired path of the AP1 channel and mark the location of the screw holes. Remove the tiltable stands and drill pilot holes for fasteners.

2. Slide the tiltable stands onto the AP1 through the slot on the bottom of the channel.



3. Align the tiltable stands in the correct spot and fasten them to the surface.

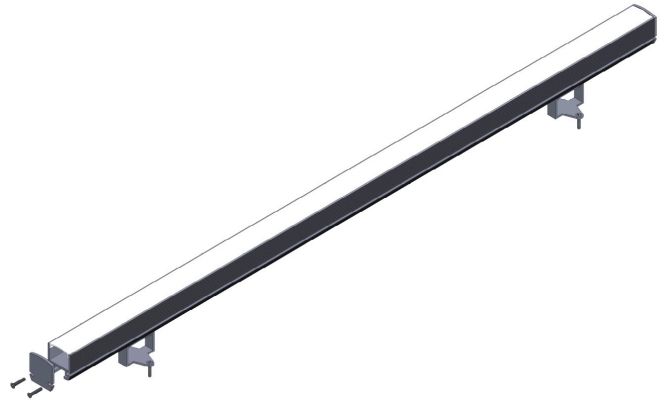
4. Use cloth and rubbing alcohol to clean mounting surface so it's free of dust and debris. Apply the RibbonLyte to the mounting surface of the channel and make all necessary electrical connections.



5. Attach the lens to the channel.



6. Attach the end caps by screwing them to the channel.



7. Fixture installation complete.

