



AR7 & AR9 MICRO CHANNEL INSTALLATION GUIDE

Tech Support: 212.629.6830



Our US team is in place to answer all of your product questions and help with installations.



U.S. 24-HR TECHNICAL SUPPORT

(+1) 212 629 6830 *301
Tech@GENLEDBrands.com



U.S. PRICING & SALES SUPPORT

(+1) 212 629 6830 *300
Sales-US@GENLEDBrands.com

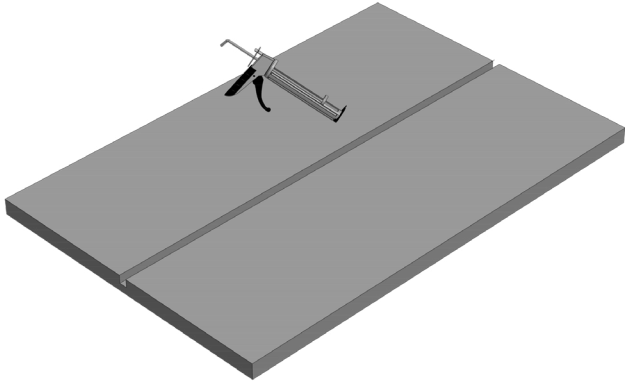


U.S. CUSTOMER SERVICE

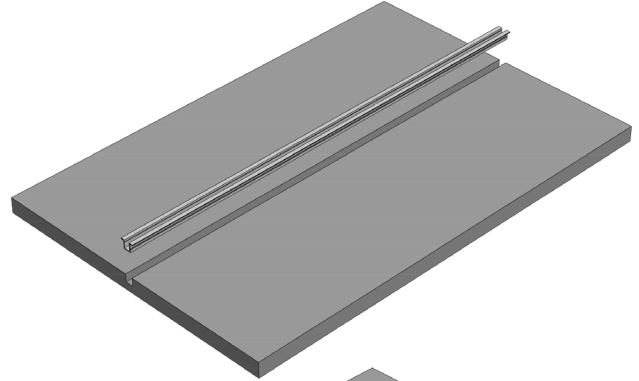
(+1) 212 629 6830 *304
CustomerService@GENLEDBrands.com



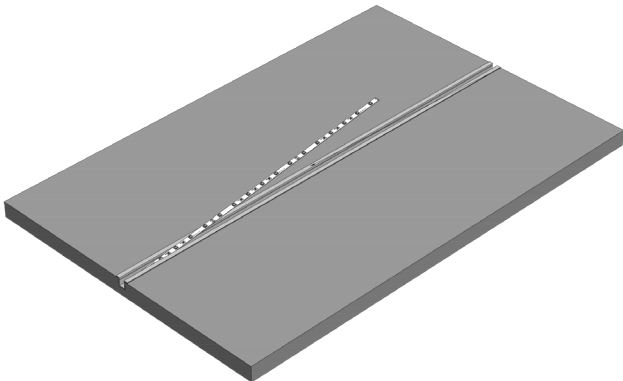
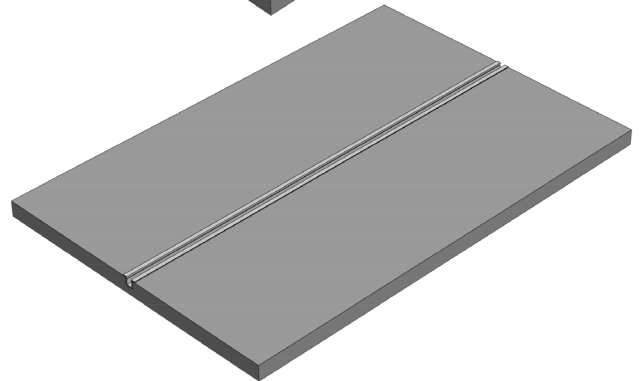
1. Cut a recess in the surface the size of the Micro Channel and coat recess with liquid construction adhesive. Drill holes in recess for power wire feeds.



2. Feed power wires through the surface and set fixture in place in the recess.



3. Place Ribbonlyte into the channel and make all necessary electrical connections.



4. Attach the lens and end caps to the fixture.

5. Installation complete.

