



AW35 CHANNEL INSTALLATION GUIDE

Tech Support: 212.629.6830



Our US team is in place to answer all of your product questions and help with installations.



U.S. 24-HR TECHNICAL SUPPORT

(+1) 212 629 6830 *301
Tech@GENLEDBrands.com



U.S. PRICING & SALES SUPPORT

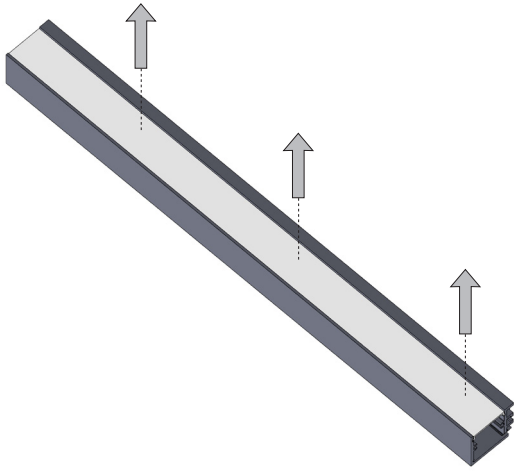
(+1) 212 629 6830 *300
Sales-US@GENLEDBrands.com



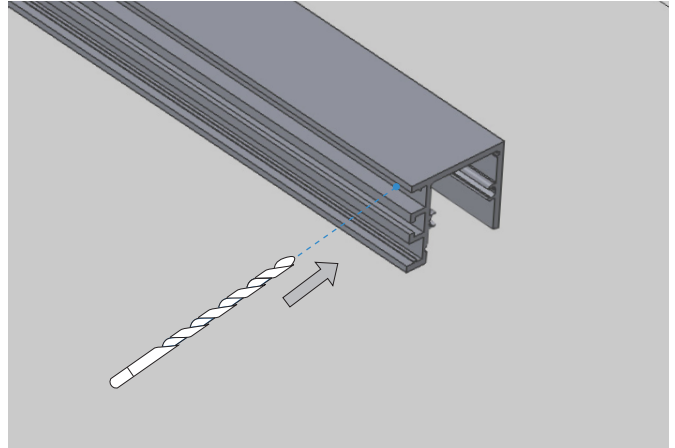
U.S. CUSTOMER SERVICE

(+1) 212 629 6830 *304
CustomerService@GENLEDBrands.com

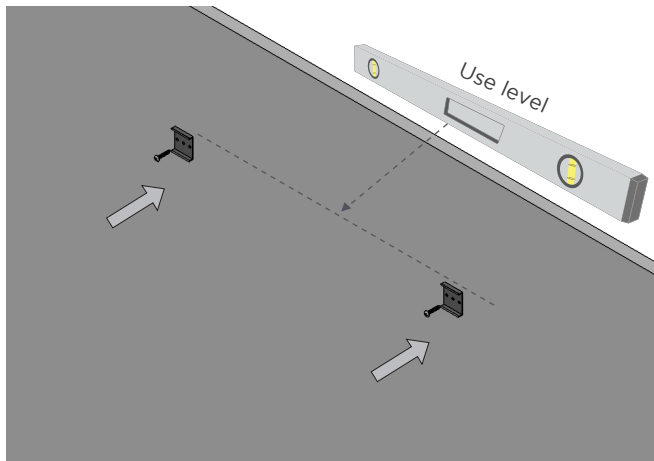
1. Remove the lens from AW35 Channel.



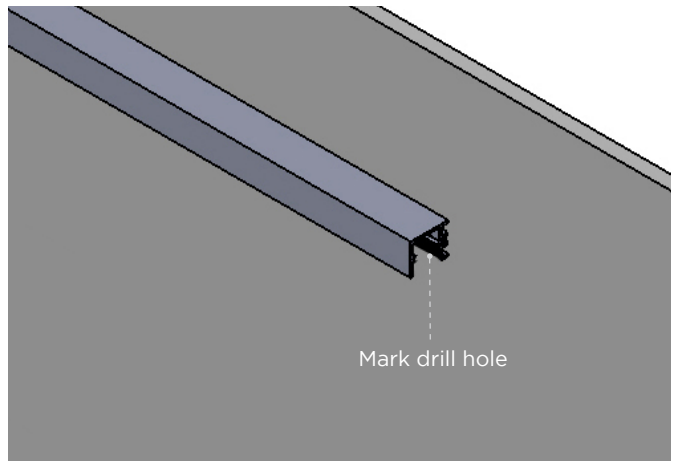
2. Drill a hole on the back of Channel close to the end for back-feed power wires to go through.



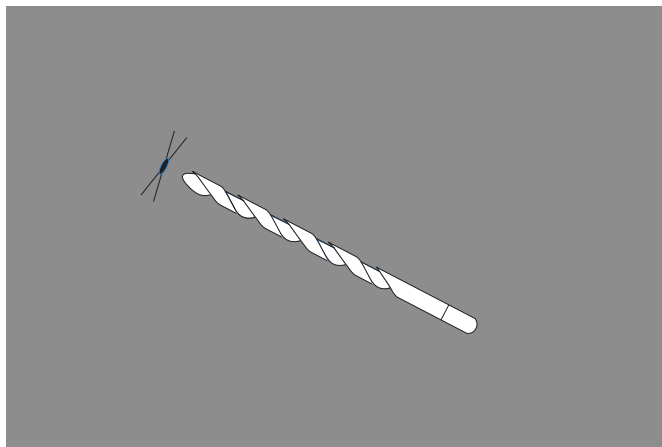
3. Screw the mounting clips onto the wall. Use a leveling tool to make sure the mounting clips are leveled.



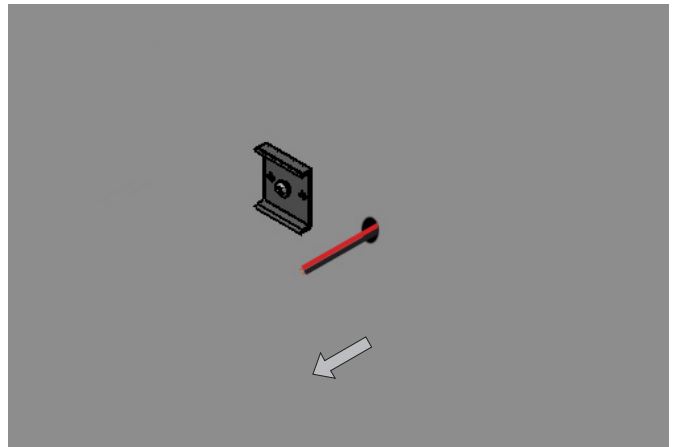
4. Mark drill point on wall through the back-feed power wire hole from fixture.



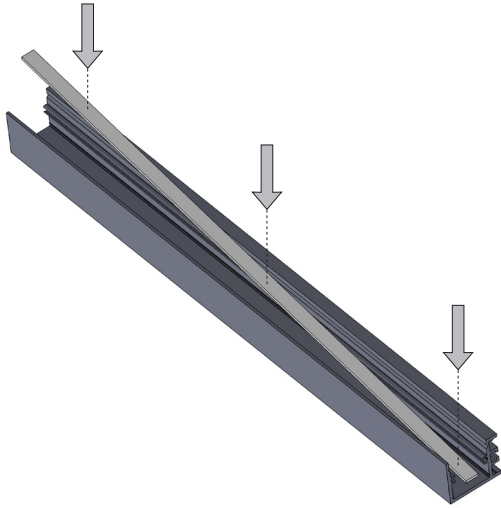
5. Drill a hole at the marked drill point on wall and match the hole in the wall with the hole on the back of fixture.



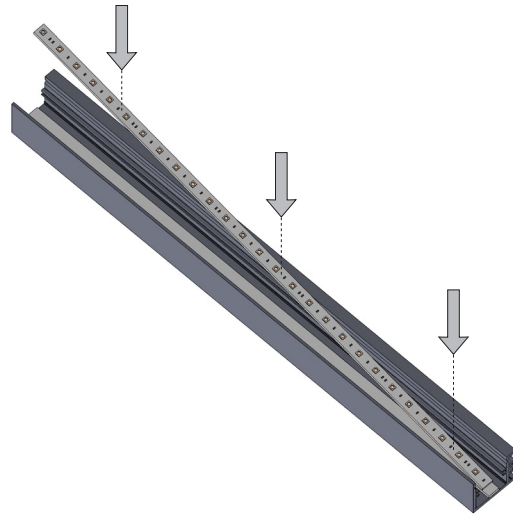
6. Pull power wires out from wall through the drilled hole.



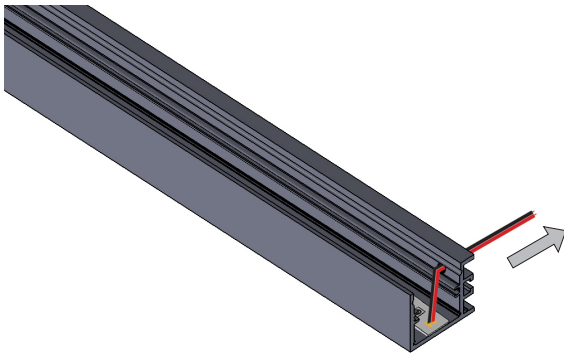
7. Securely attach the enclosed double-sided tape onto the Channel.



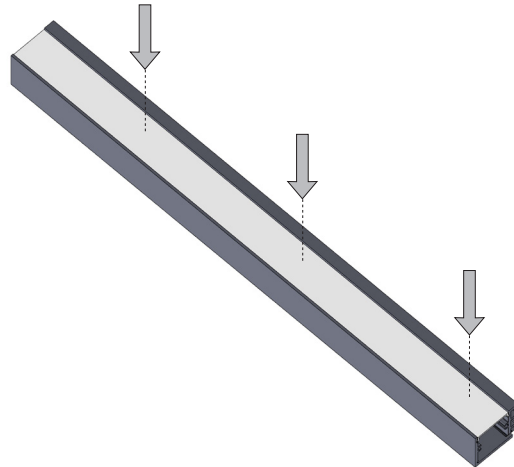
8. Securely attach RibbonLyte onto the double-sided tape.



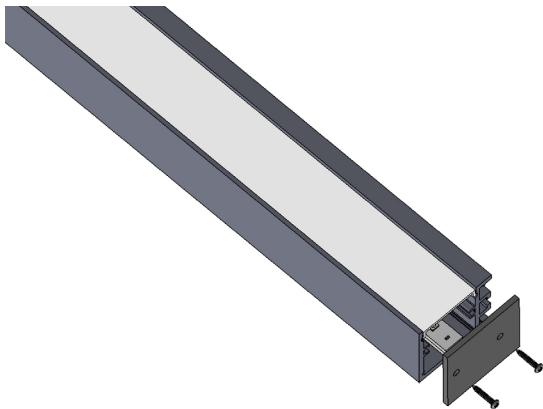
9. Pull RibbonLyte lead wires out from fixture through back-feed power wire hole.



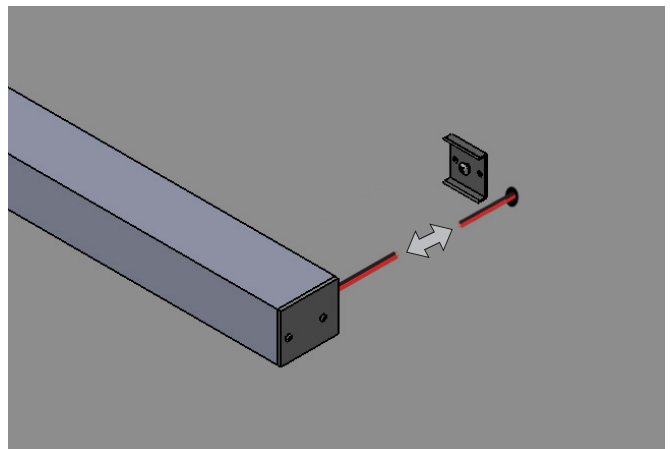
10. Attach lens onto fixture.



11. Attach end caps onto fixture with screws.

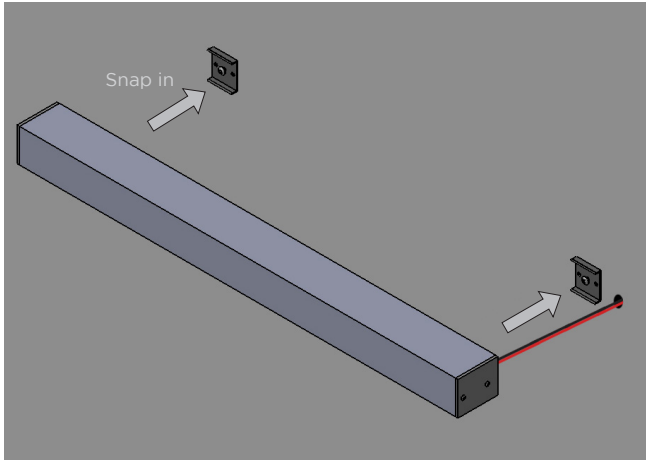


12. Connect RibbonLyte lead wires from fixture with AC power wires from the wall.





13. Attach Channel fixture onto the mounting clips .



14. Installation is complete.

