



CORNER SURFACE MOUNTED CHANNEL INSTALLATION GUIDE

Tech Support: 212.629.6830



Our U.S. team is in place to answer all of your product questions and help with installations.



U.S. 24-HR TECHNICAL SUPPORT

(+1) 212 629 6830 *301
Tech@GENLEDBrands.com



U.S. PRICING & SALES SUPPORT

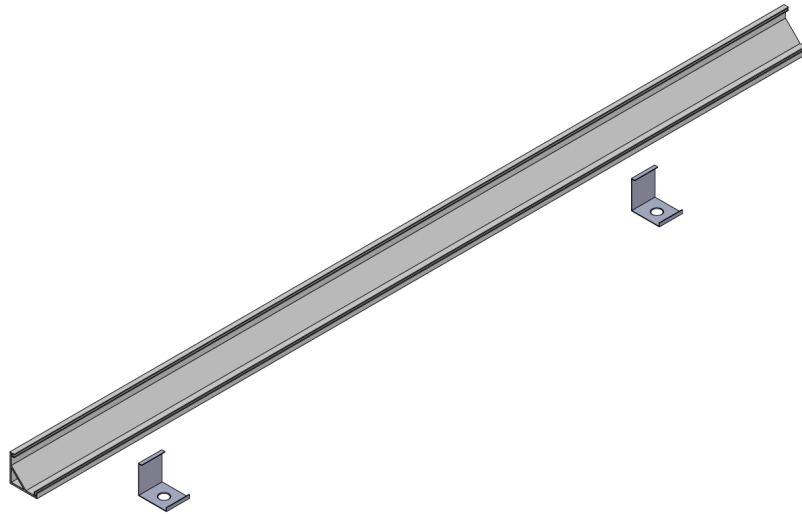
(+1) 212 629 6830 *300
Sales-US@GENLEDBrands.com



U.S. CUSTOMER SERVICE

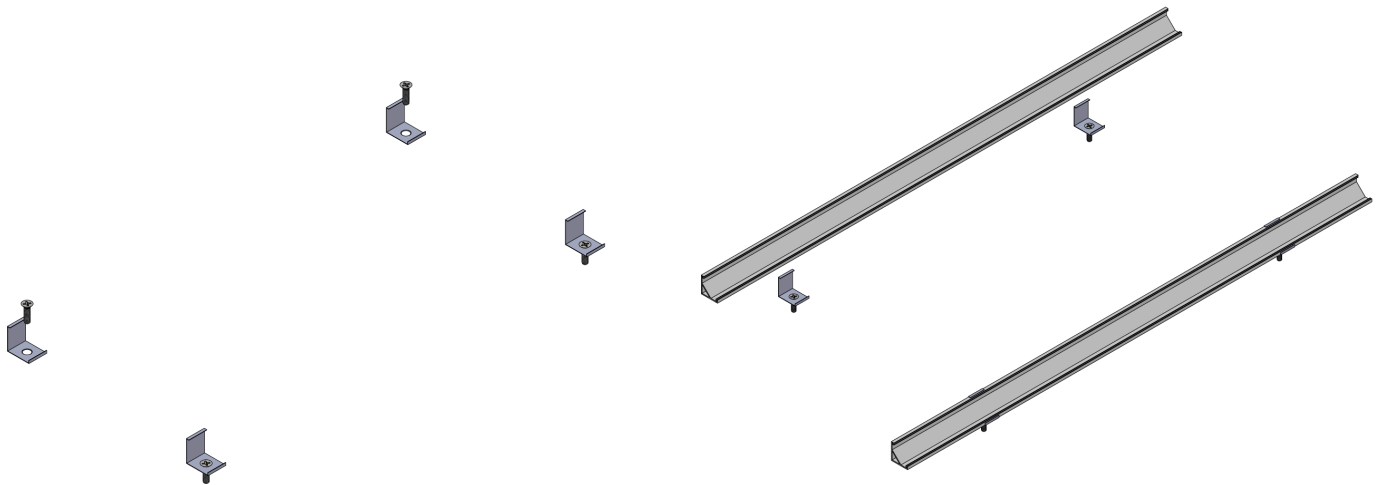
(+1) 212 629 6830 *304
CustomerService@GENLEDBrands.com

1. Measure and mark the desired location of the corner mounting clips. Drill a pilot hole for mounting clip fasteners.

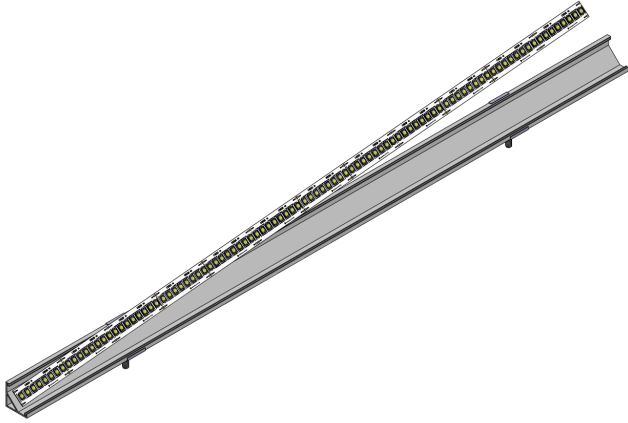


2. Screw the fasteners through the mounting clips to fix them in place on the surface.

3. Align the channel above the mounting clips and push down to snap it in place.



4. Clean the inside surface of the channel of dust and debris with rubbing alcohol and apply ribbonlyte. Make all necessary electrical connections



5. Attach the lens and end caps.



6. Fixture installation complete.

