



---

## GL2 CHANNEL FIXTURE INSTALLATION GUIDE

Tech Support: 212.629.6830



Our US team is in place to answer all of your product questions and help with installations.



**U.S. 24-HR TECHNICAL SUPPORT**

(+1) 212 629 6830 \*301  
[Tech@GENLEDBrands.com](mailto:Tech@GENLEDBrands.com)



**U.S. PRICING & SALES SUPPORT**

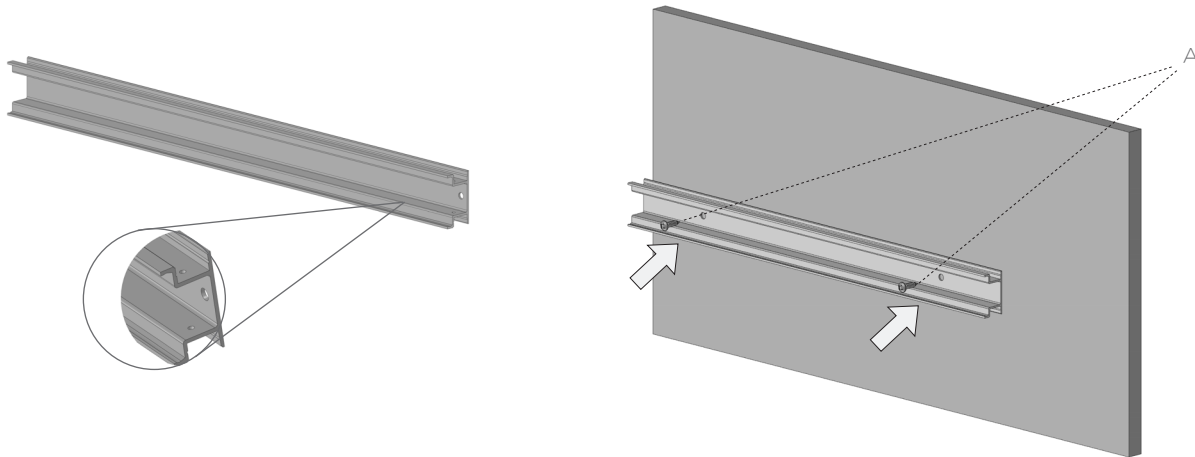
(+1) 212 629 6830 \*300  
[Sales-US@GENLEDBrands.com](mailto:Sales-US@GENLEDBrands.com)



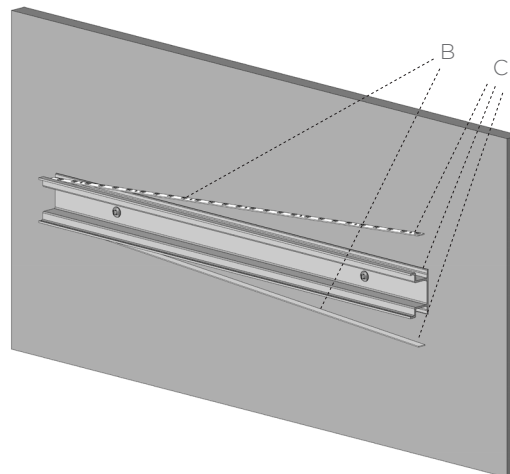
**U.S. CUSTOMER SERVICE**

(+1) 212 629 6830 \*304  
[CustomerService@GENLEDBrands.com](mailto:CustomerService@GENLEDBrands.com)

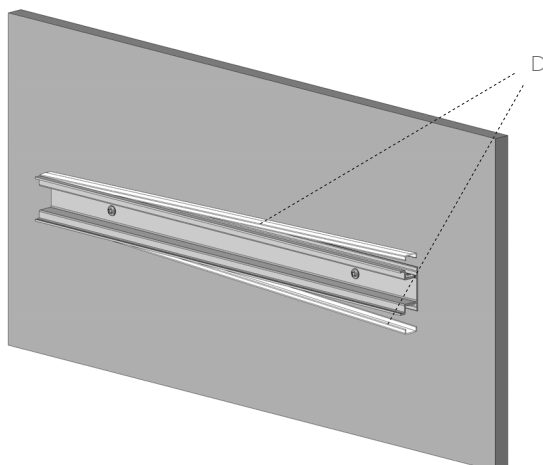
1. Drill holes in the center face and both PCB surfaces for power wire feed.  
Drill holes in the center face of the channel and mount to surface with screws.



2. Insert Ribbonlyte (B) and make all necessary electrical connections (C).

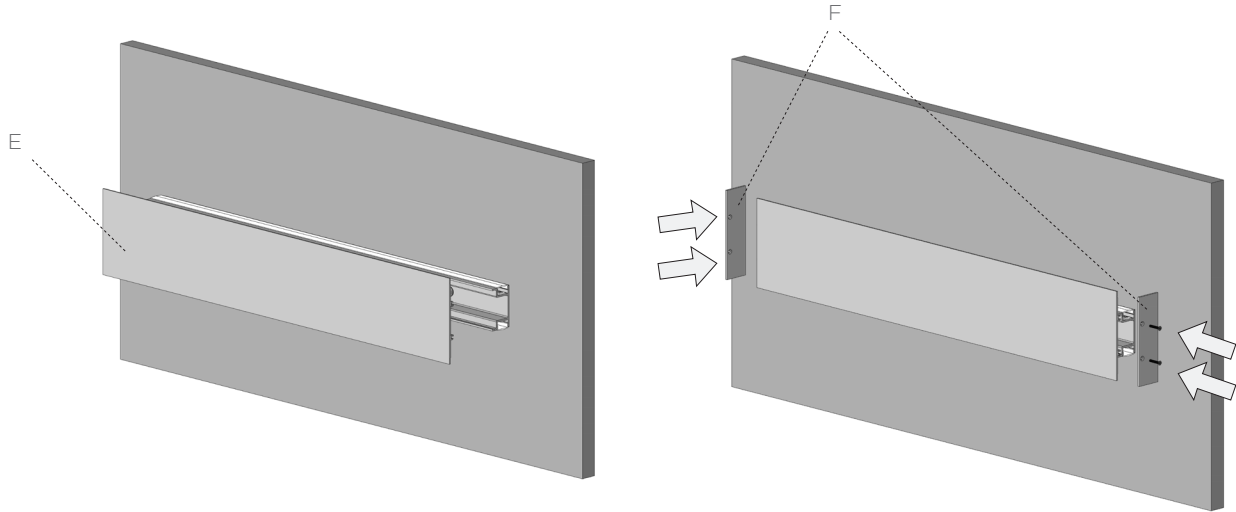


3. Attach lenses (D).





4/5. Place the front cover (E) over the mounted wall fixture and fasten both end caps (F) to the front cover with screws.



6. Installation complete.

