



GEOLYTE
INSTALLATION GUIDE



Our US team is in place to answer all of your product questions and help with installations.



U.S. 24-HR TECHNICAL SUPPORT

(+1) 212 629 6830 *301
Tech@GENLEDBrands.com



U.S. PRICING & SALES SUPPORT

(+1) 212 629 6830 *300
Sales-US@GENLEDBrands.com



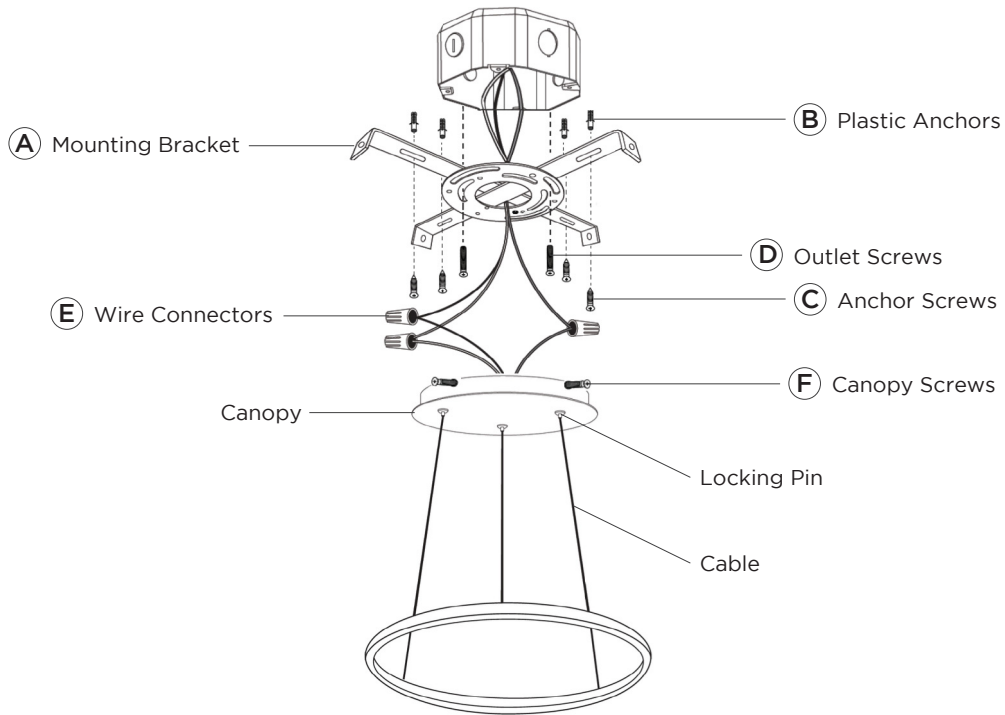
U.S. CUSTOMER SERVICE

(+1) 212 629 6830 *304
CustomerService@GENLEDBrands.com






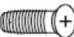
LED FIXTURE INFORMATION & WARNINGS

- Read all warnings and instructions to reduce the risk of death, personal injury or property damage from fire, electric shock, falling parts, cuts abrasions and other hazards
- Make sure that you have all included parts from the list on the bottom of this page. If any part is missing or damaged, please contact Customer Service at +1 212.629.6830 x 304 or CustomerService@GENLEDBrands.com for a replacement.
- This product must be installed in accordance with the applicable local & national electrical codes.
- Do not substitute any parts, leave parts out, or use any parts that are worn or broken. All parts must be used as instructed in the installation guide.
- Please handle the LED light with care when unpacking. Do not apply pressure to the LEDs, do not open any factory sealed compartments, and do not touch the LEDs with your hands.
- Do not remove or replace the GENLED Acolyte manufactured driver that is provided with the fixture.
- Excess cable should be neatly looped and tucked into the canopy. **DO NOT CUT WIRES** attached to the fixture under any circumstance. Cutting wires will VOID your warranty.
- Please remove the canopy from the box prior to removing the fixture body to avoid cables getting tangled.
- Disconnect power prior to installation or servicing of fixture. Fixture is designed to be installed to a junction box (not provided).

FIXTURE DIAGRAM: All fixtures mount the same way (even the multi-tier units)



INCLUDED PARTS

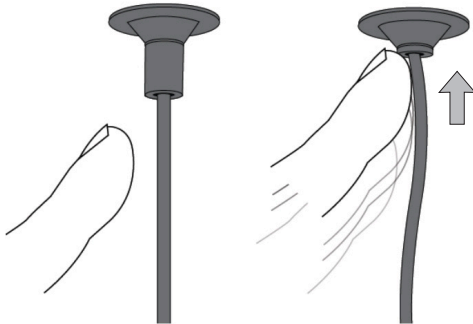
- | | | |
|--|---|---|
| (A) Mounting Bracket
 | (B) Plastic Anchors
 | (C) Anchor Screws
 |
| (D) Outlet Screws
 | (E) Wire Connectors
 | (F) Canopy Screws
 |

TOOLS YOU MAY NEED



1. Adjust Fixture Height

The length of the cable is adjustable. To determine the proper length of the fixture, hold the fixture canopy up against the outlet box in the ceiling and adjust the cable. Depress locking pin on the canopy, hold pin in place, and pull down or push up on the cable.



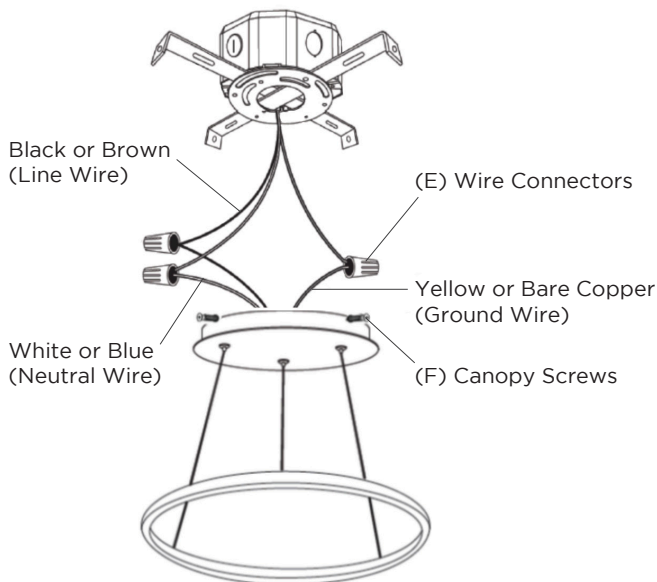
3. Connect Wires

Supply Wires:

Connect Black/Brown (Line Wire) from fixture to Black (Hot Wire) from outlet box. Connect White or Blue (Neutral Wire) from fixture to White (Neutral Wire) from outlet box.

Ground Wires:

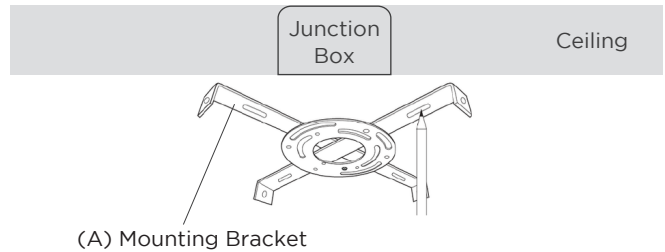
Connect Yellow or Bare Copper (Ground Wire) from fixture to Green (Ground Wire) from outlet box. Twist wires together clockwise and secure with wire, connector (E).



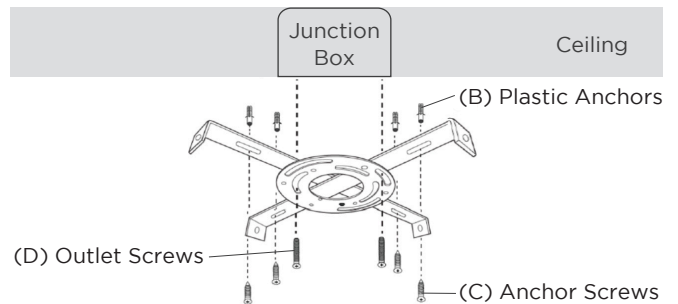
5. Select desired color temperature on selector switch. Read factory instructions for controllers.

2. Install Mounting Bracket

a. Raise mounting bracket (A) to the ceiling. Mark location for the plastic anchors (B). Use drill to drill holes ready for plastic anchors (B). Insert plastic anchors (B) into hole.



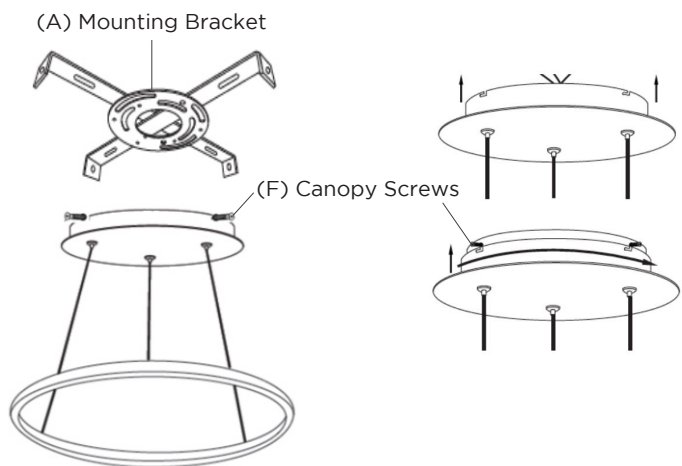
b. Attach included mounting bracket (A) to outlet box with outlet screws (D). Screw anchor screws (C) into plastic anchors (B) to secure mounting bracket (A).



4. Mount Fixture

a. Attach the canopy to mounting bracket (A). Secure canopy with canopy screws (F).

b. Twist canopy to lock fixture in place. Secure canopy with canopy screws (F).



6. Turn power ON by turning electricity "ON" at main fuse box.