



NEON CONTOUR & SILHOUETTE INSTALLATION GUIDE

Tech Support: 212.629.6830



Our US team is in place to answer all of your product questions and help with installations.



U.S. 24-HR TECHNICAL SUPPORT

(+1) 212 629 6830 *301
Tech@GENLEDBrands.com



U.S. PRICING & SALES SUPPORT

(+1) 212 629 6830 *300
Sales-US@GENLEDBrands.com



U.S. CUSTOMER SERVICE

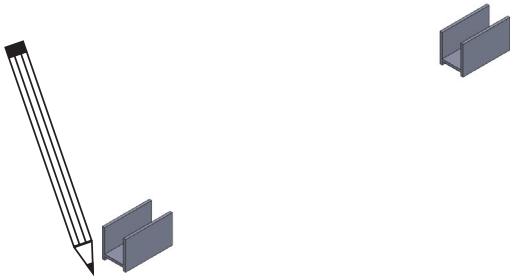
(+1) 212 629 6830 *304
CustomerService@GENLEDBrands.com



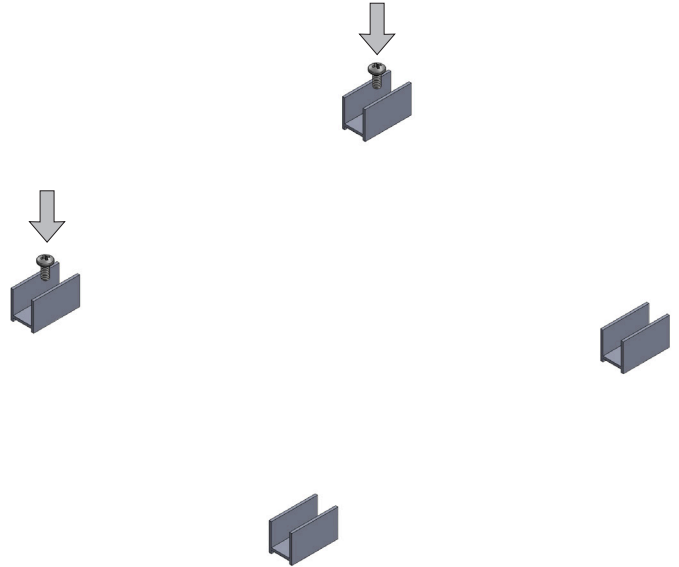
NEON CONTOUR INSTALLATION



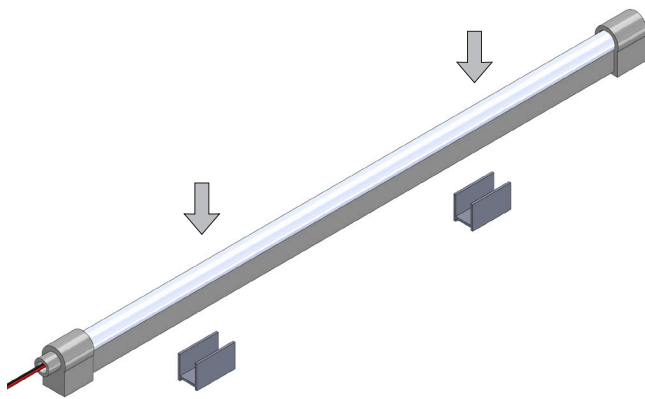
1. Place the mounting clips along the desired path of the NeonLyte and mark the locations for pilot hole drilling



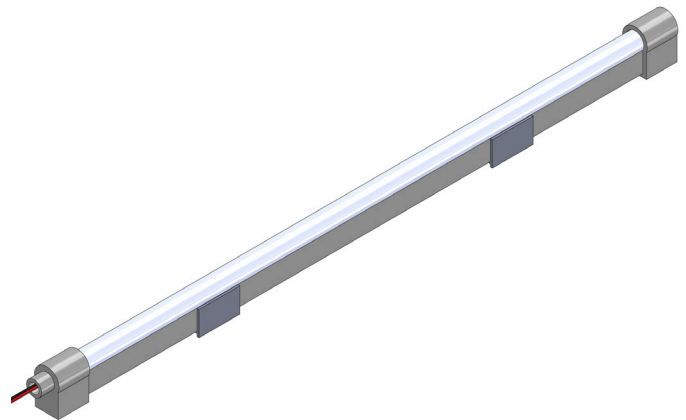
2. Drill pilot holes and then fasten the mounting clips to the surface using the screws



3. Push the NeonLyte into place in the mounting clips and make all necessary electrical connections. All wires should be exposed, and the product is sealed. Do not cut the channel or remove end caps



4. Installation complete





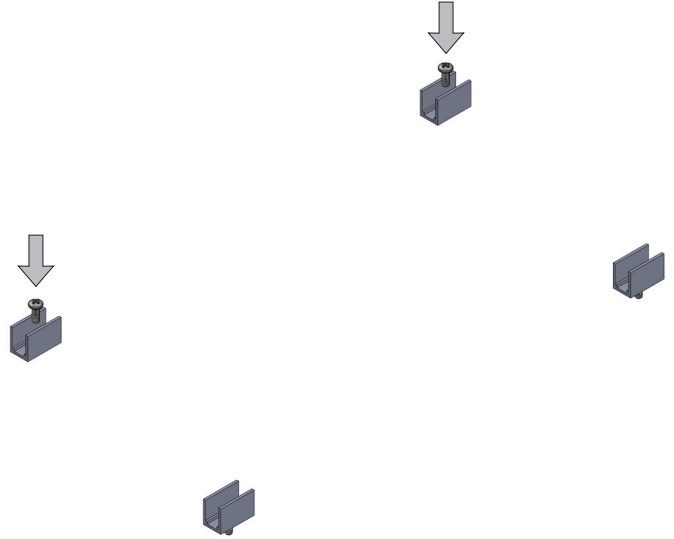
NEON SILHOUETTE INSTALLATION



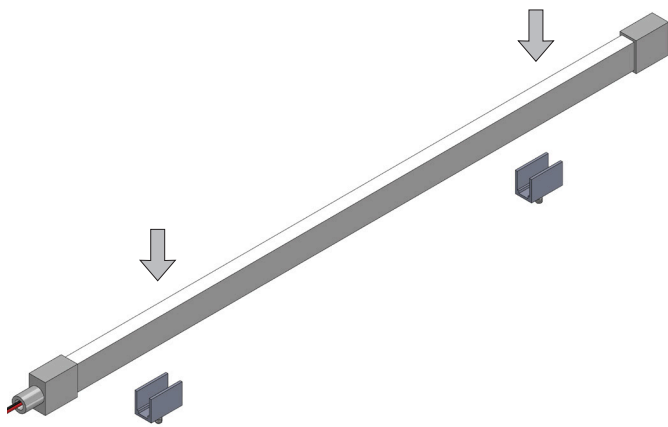
1. Place the mounting clips along the desired path of the NeonLyte and mark the locations for pilot hole drilling



2. Drill pilot holes and then fasten the mounting clips to the surface using the screws



3. Push the NeonLyte into place in the mounting clips and make all necessary electrical connections. All wires should be exposed, and the product is sealed. Do not cut the channel or remove end caps



4. Installation complete

