



PANEL LYTE INSTALLATION GUIDE

Tech Support: 212.629.6830



Our US team is in place to answer all of your product questions and help with installations.



U.S. 24-HR TECHNICAL SUPPORT

(+1) 212 629 6830 *301
Tech@GENLEDBrands.com



U.S. PRICING & SALES SUPPORT

(+1) 212 629 6830 *300
Sales-US@GENLEDBrands.com

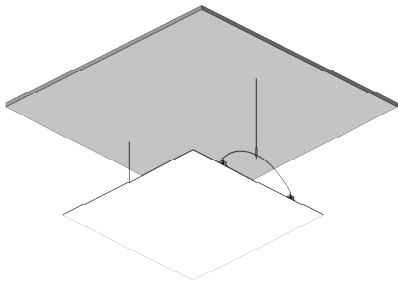


U.S. CUSTOMER SERVICE

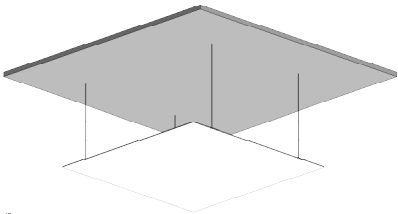
(+1) 212 629 6830 *304
CustomerService@GENLEDBrands.com



Components.....4



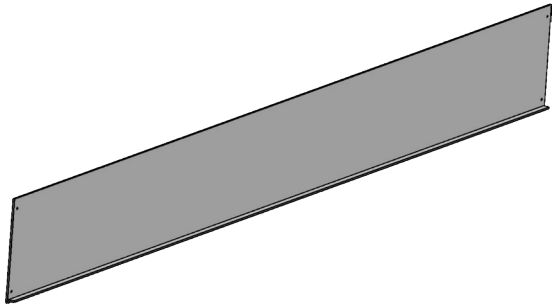
Hung Panel Lyte Installation.....5



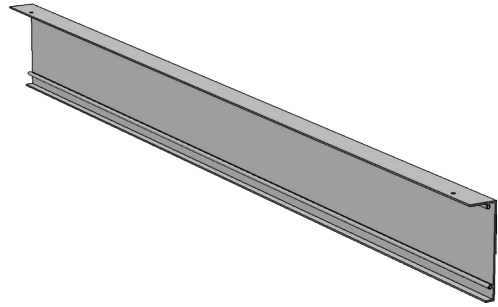
Hung Flange Panel Lyte Installation.....6



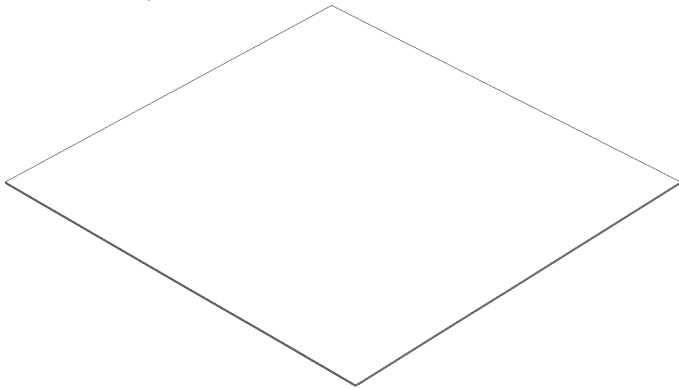
A. End Cap



B. Bracket



C. Panel Lyte



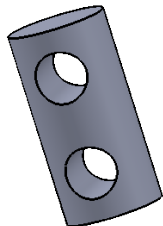
D. Screws



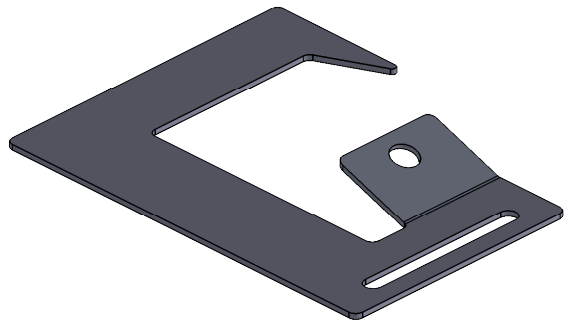
E. Cable Gripper



F. 4-Terminal Set Gripper

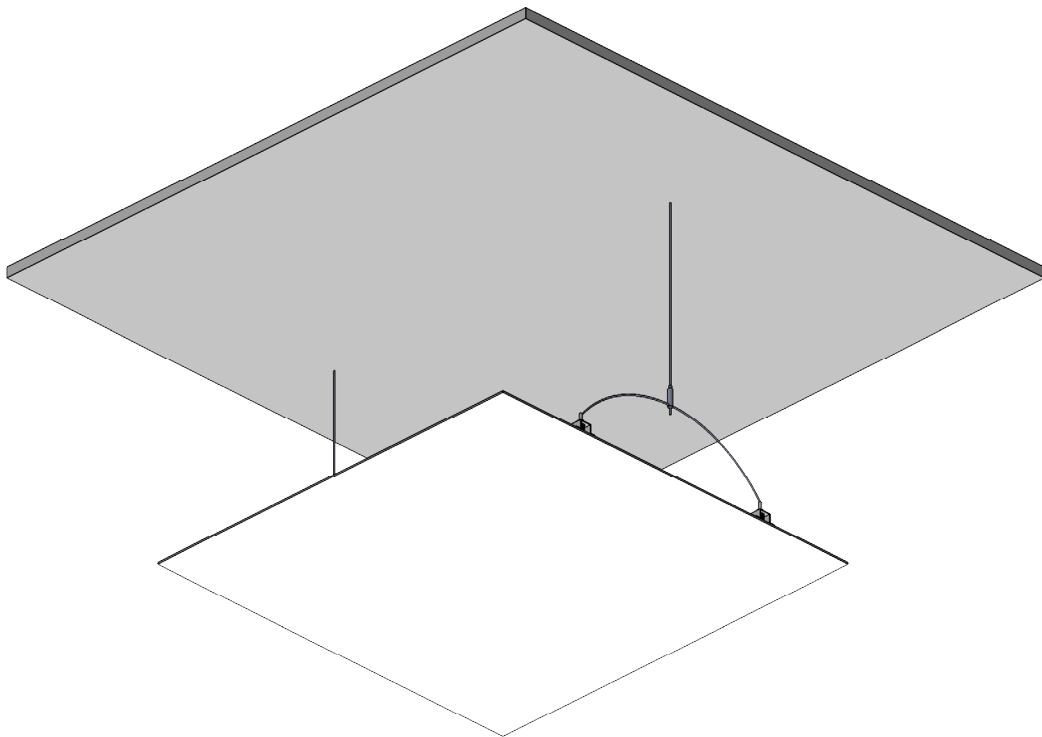


G. Hanging Flange



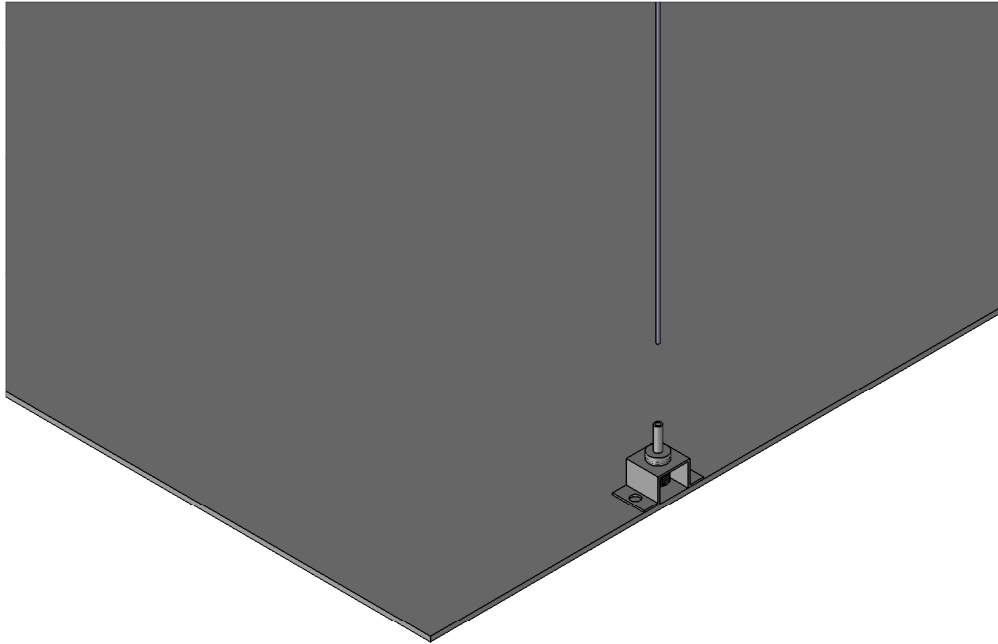


HUNG PANEL LYTE INSTALLATION

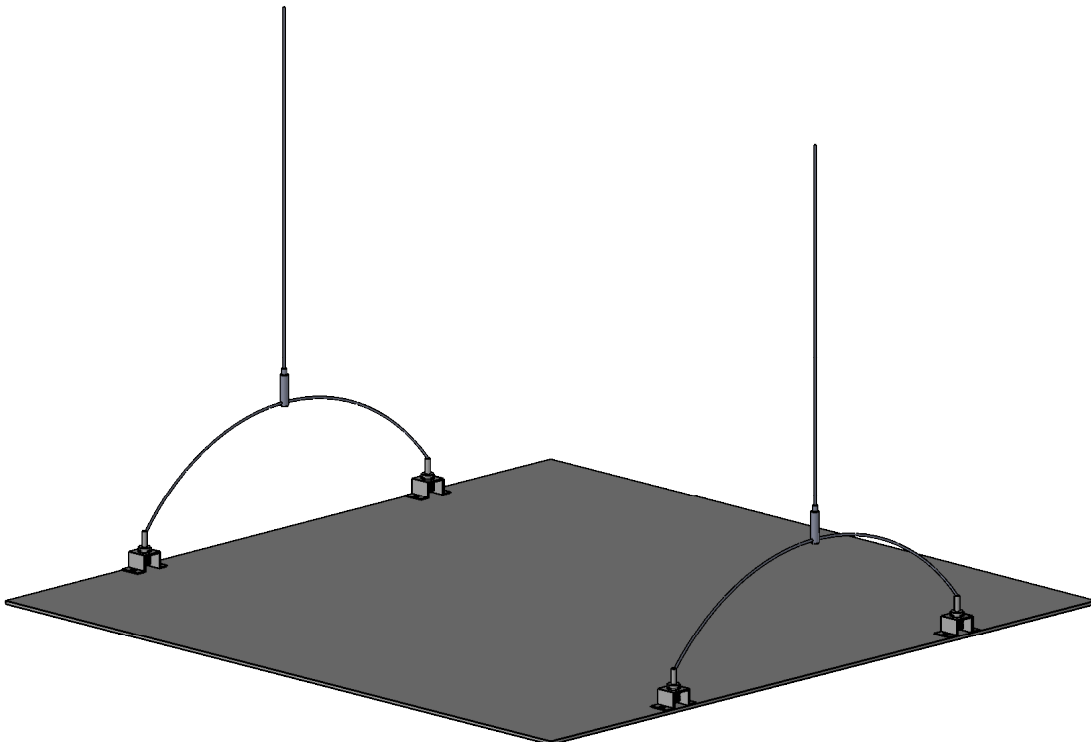




1. Insert the Suspension Cable (#) into the Bracket Gripper (#) mounted on the top of the Panel Lyte (#). Press down and pull to desired length.

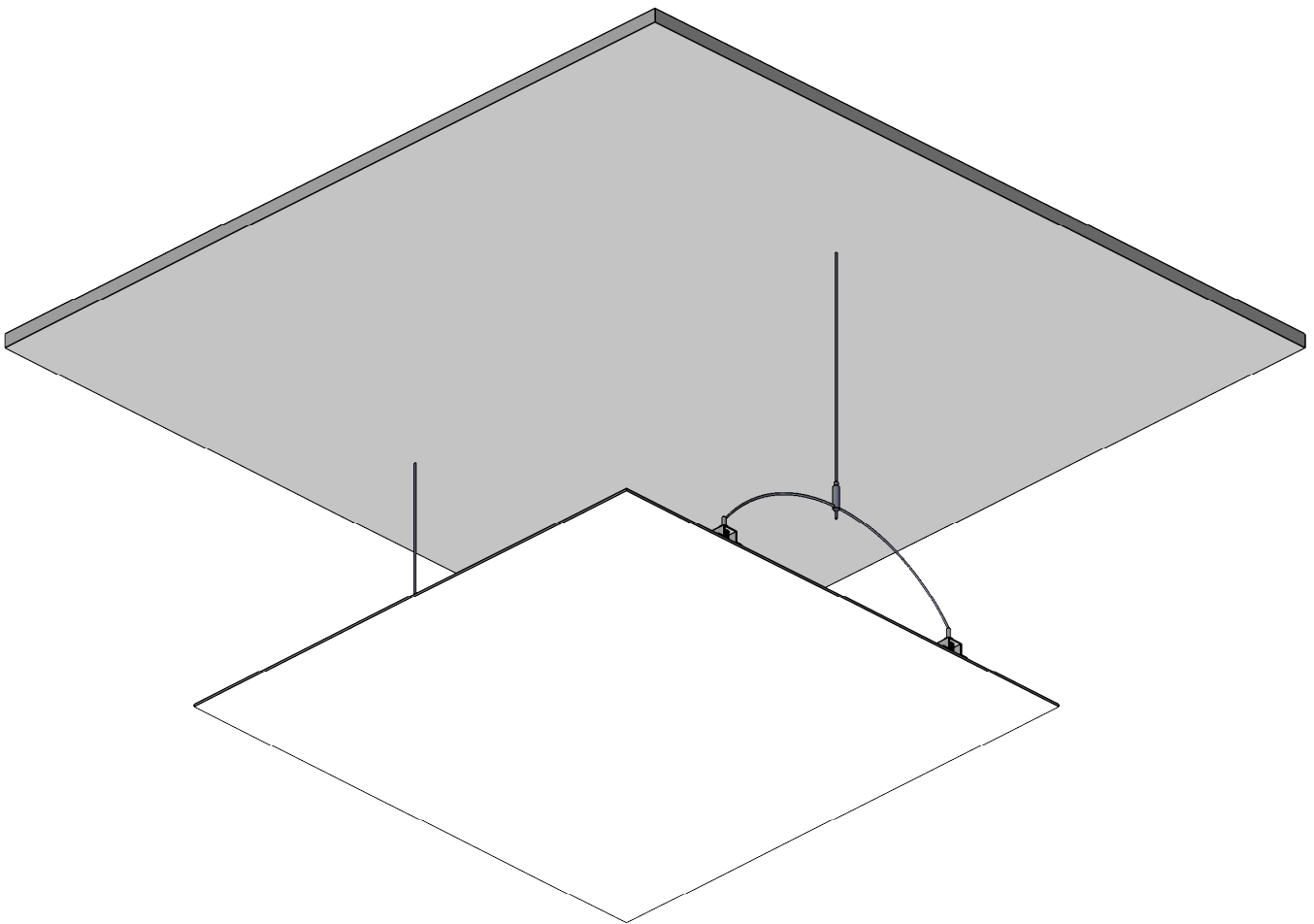


2. Feed the ends of the Suspension Cable (#) through the “Y” Connection Gripper (#) and to the fasten to the opposite side.



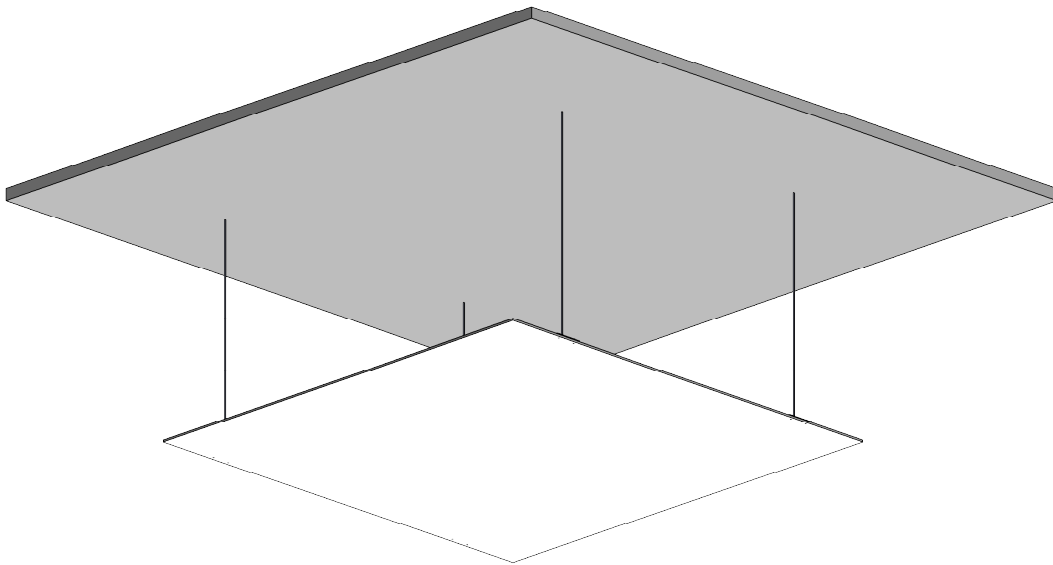


3. Mount to ceiling (I would reference to steps/figures for specific mounting types like drywall, hard surface or drop ceiling).



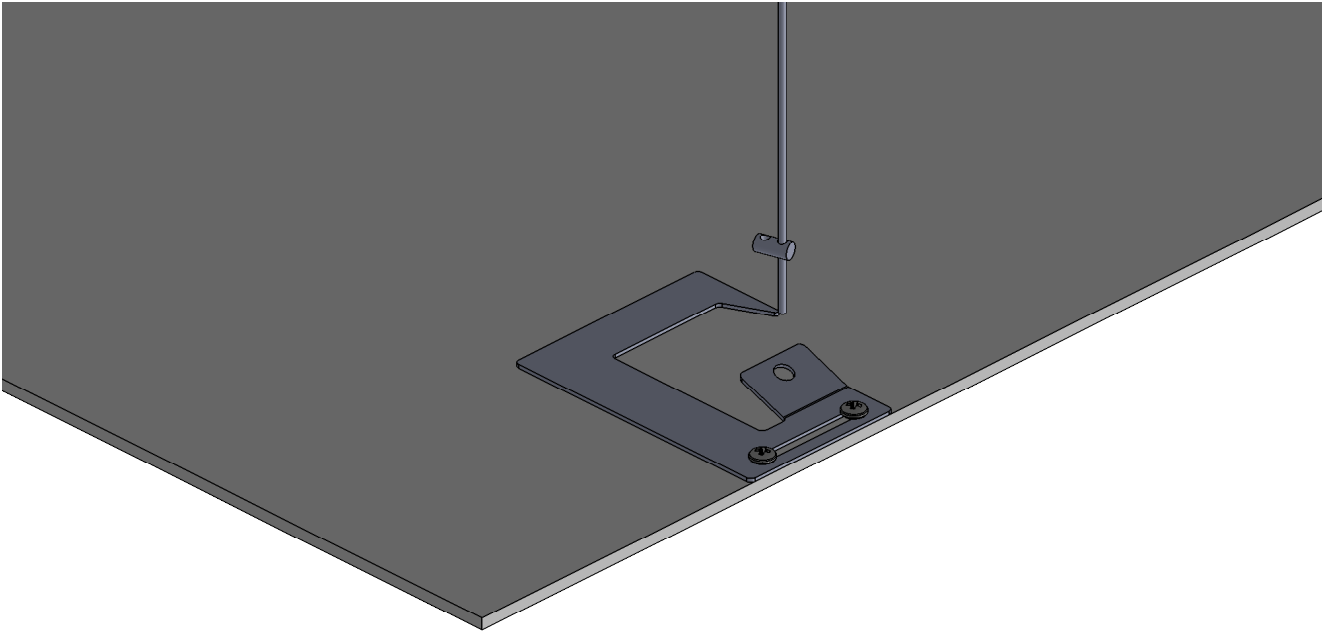


HUNG FLANGE PANEL LYTE INSTALLATION

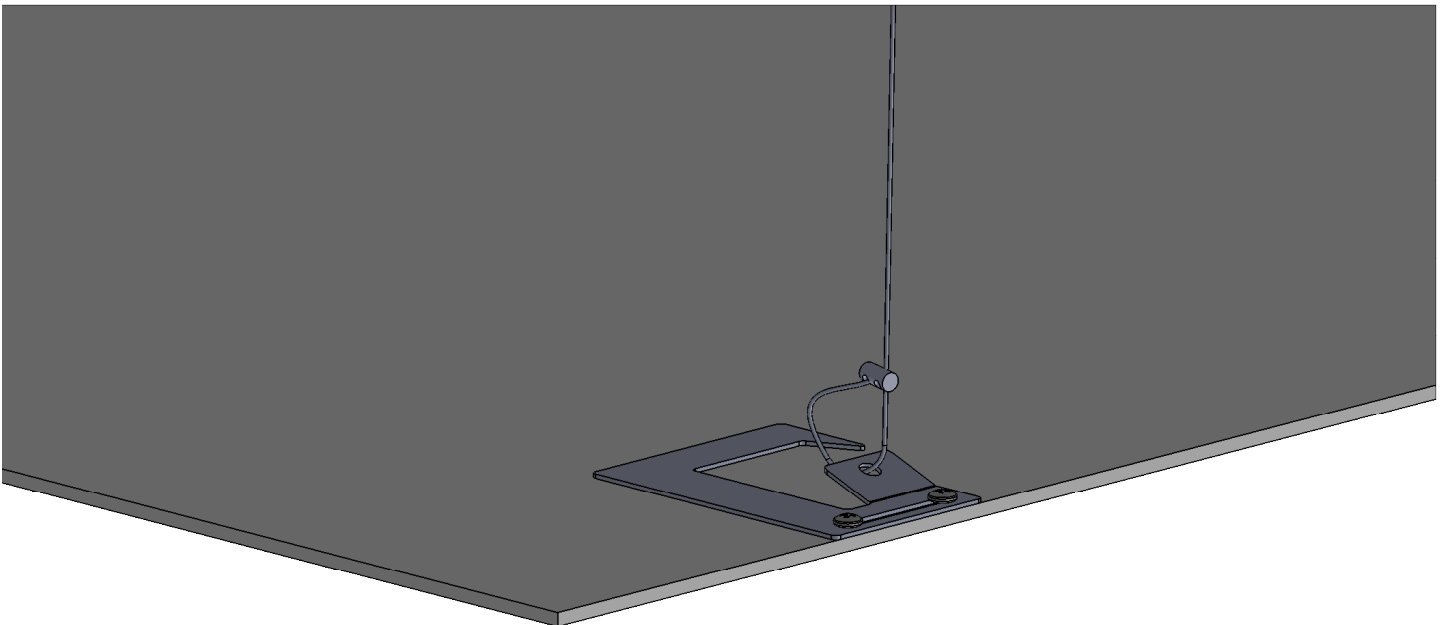




1. Insert the Suspension Cable (#) through the 4-hole Set Gripper (#).

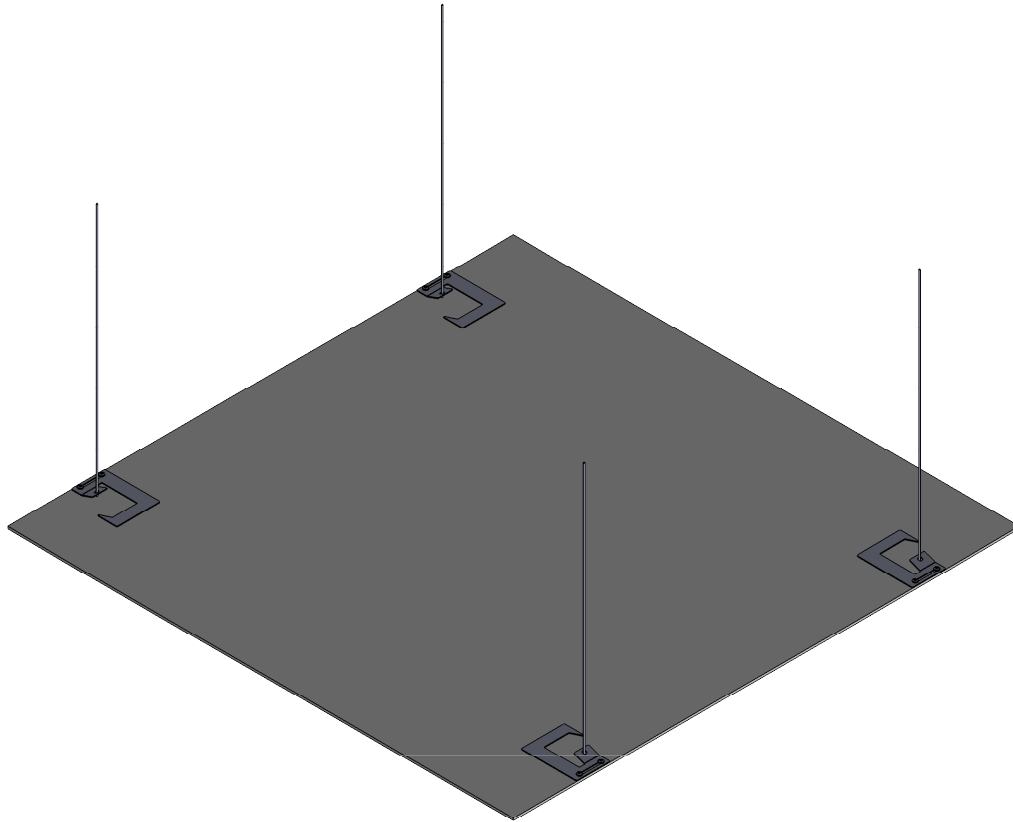


2. Loop the Cable (#) through the hole on the raised lip of the Mounting Flange (#), and pull the free end back through the Set Gripper (#) to hold in place.





3. Attach the 2nd End Cap (A) on the Brackets (B) with Screws (D).



4. Slide the Panel Lyte (C) into the Brackets (B).

