

Date _____ Project _____

Notes _____

GLASS TOUCH DMX WALL CONTROLLER

The **GENLED** Acolyte[®] Glass Touch DMX Wall Controllers create lighting scenes and moods from sleek touch-sensitive displays. Program and save unique transitions, rolls and fades with ease. Choose between full spectrum color or variable color temperature control. Universal protocol DMX controllers can control any lighting fixture that supports DMX protocol.



- 1 Zone
- DMX 512 Signal
- Manage scenes and lighting moods
- Glass Panel
- Touch Capacitive
- Remembers settings after power failure
- Mounted in a double gang wall box
- Face plates availability: RGB+RGBW, VW+VWA+VWR

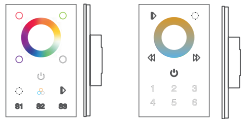


Applications:

- | | | |
|---------------|---------------|-------------|
| Commercial | Hospitality | Residential |
| Entertainment | Museums | Retail |
| Healthcare | Public Spaces | |



Dimensions



Width : 2.94 in (75 mm)
Length : 4.72 in (120 mm)
Depth : 1.14 in (29 mm)
Weight : 7.5 Ounces (213 g)

ORDERING GUIDE

STANDARD

Category	Spectrum (Glass Touch only)	Faceplate (Required)
AWC		W
AWC - Glass Touch Wall Controller	RGBW - RGB, RGBW VW - VW, VWA, VWR	W -White*

CONTROLLER FUNCTIONS / ASSEMBLY DIAGRAM

CONTROLLER FUNCTIONS



On/Off: Tap it to turn the connected lighting on or off.



Color Wheel: allows you to intuitively select a combination of channels to illuminate. Simply touch and slide your finger along the wheel to find the color combination you wish for.



Solid Color Circles: Touch to choose the colors RGBW. Touch and hold to dim brightness of RGBW.



Brightness: Adjust brightness



Mixer: Add Warm white, cold white or natural white and mix with RGB.

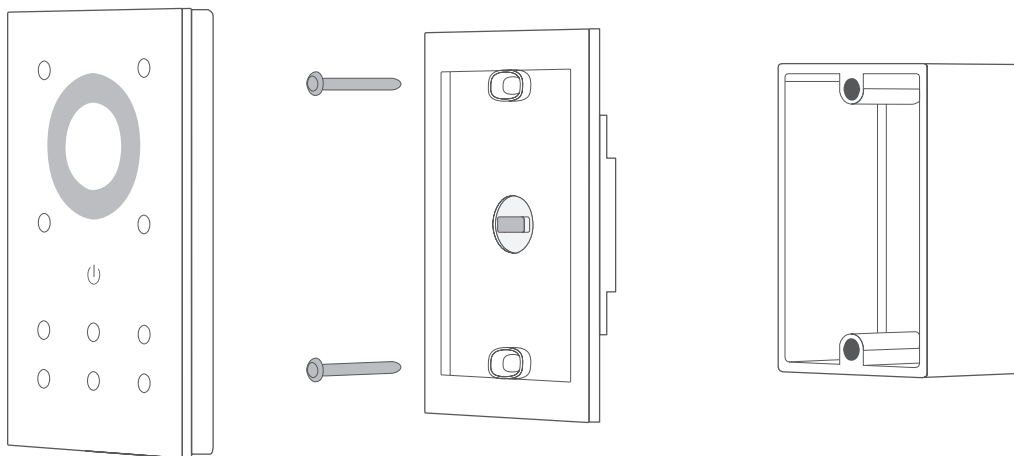


Start / Pause: tap to start or pause a color running mode. Touch and hold to adjust speed.



Save Color: Touch color wheel then Long touch S1 / S2 /S3 to save your favorite settings.

ASSEMBLY DIAGRAM



SPECIFICATIONS

WIRING DIAGRAM

