

6.0 VARIABLE WHITE SERIES 2 RIBBONLYTE

Our Variable White Series 2 RibbonLyte allows you to adjust for brightness and warmth like never before. Now with 140 LEDs per meter, our improved RibbonLyte provides better color mixing, reduced diode visibility and a wider range of color temperatures for tuning your lighting design. Available in three wattages and with a 50 mm cut length, you can use Variable White Series 2 RibbonLyte with a 2-channel dimmer to create bright, clear, colder light or the warmest, softest tones.



- Single-row, dual-chip layout means 140 LEDs per meter (42 LEDs per foot!)
- Available in three (3) wattages (1W/ft, 3W/ft, 6W/ft)
- 50 mm cut length adds amazing flexibility to your design
- Color temperature range of 2000K to 6500K and 90+ CRI
- 2-channel dimming! One channel controls brightness and one controls temperature



Applications:

Commercial	Hospitality	Residential
Entertainment	Museums	Retail
Healthcare	Public Spaces	



RoHS

IP 20

IP 65

IP 68



5-Day QuickShip program applies to IP20 option only

ORDERING GUIDE

Category	CRI	Ribbon Type & IP Rating	Wattage + Color
RB	0		6.0VW
RB - Ribbonlyte	0 - Color Changing	VWS220 - VW Series 2 IP20 VWS265 - VW Series 2 IP65 VWS268 - VW Series 2 IP68	6.0VW - 6.0 Variable White

CONNECTION OPTIONS

1. End Feed Bare Wire Connection (Default Option)



2. IP67 Connector Input



3. Soldered Daisy Chain



4. Daisy Chain with IP67 Connectors



5. Bare Wire on Both Ends



Standard cable length if not specified:

1. 12 in. cable with bare wire (custom length up to 20 feet)
2. Standard 12 in. cable with IP67 connectors (custom length up to 10 feet)
3. Daisy chain with 3 in. cable between runs (custom length up to 36 in.)
4. 3 in. cable between IP67 connector and RibbonLyte (custom length up to 18 in.)
5. Standard 12 in. cable with bare wire (custom length up to 10 feet)

Note: IP67 connectors are used for both IP20 and IP65/IP68 RibbonLyte

AVAILABLE COLOR TEMPERATURES



VW

SPECIFICATIONS / DIAGRAM / USAGE GUIDELINES

6.0 VARIABLE WHITE SERIES 2 RIBBONLYTE	
Operating Voltage	24 V
Power Consumption	6.0 W/ft (19.7 W/m)
Current (mA) - 24V	250 mA/ft (820 mA/m)
LED Pitch	42 LEDs/ft (140 LEDs/m)
Protection Rating	IP20, IP65, IP68
Dimming/Control	DMX / 0-10V with Dimming Module
Operating Temperature	-40 F to 140 F (-40 C to 60 C) - IP20 -40 F to 122 F (-40 C to 50 C) - IP65/IP68
Color Temperatures	2000K - 6500K (IP20) 2000K - 6000K (IP65/IP68)
MacAdam Ellipses (SDCM)	2-Step Binning
Maximum Light Output	440 lm/ft (1440 lm/m)
Binning Tolerance	+/- 100K
LED Beam Angle	120°
Lamp Life	43,000 hrs L70 @ 131° F (55° C)
Cutable Length	1.97 in. (50mm)
Lumens/Watt	66 - 82 lm/W (Warm - Cool LED)
Constant Voltage	✓
Cable Length	12 in (30.5 cm)
Certifications	ETL Listed: UL 2108 Issued: 2004/02/27 Ed: 1 Rev: 2014/02/24 Low Voltage Lighting Systems CSA C22.2#9.0 Issued: 1996/06/01 Ed: 1 (R2011) General Requirements for Luminaires; with Gen. Inst. 1: 1997, Gen Inst. 2: 1998. ROHS compliant UL 2108 - Low Voltage Lighting Systems UL 8750 - Light Emitting Diode (LED) Equipment for Use in Lighting Products UL 1598 / CSA 250.0-08 - Luminaires

24V DIMENSIONS	Top View	Side View	Dimensions
IP20	 CUTTABLE EVERY: 1.97 in. (50 mm)		Width 0.31 in. (8 mm) Max Length* 32 ft 8 in. (10 m) Height 0.09 in. (2.3 mm)
IP65	 CUTTABLE EVERY: 1.97 in. (50 mm)		Width 0.31 in. (8 mm) Max Length* 32 ft 8 in. (10 m) Height 0.125 in. (3.2 mm)
IP68	 CUTTABLE EVERY: 1.97 in. (50 mm)		Width 0.44 in. (11.2 mm) Max Length* 32 ft 8 in. (10 m) Height 0.18 in. (4.5 mm)

VARIABLE WHITE DIMMING MODULE - COMPATIBLE WITH VWS2 6.0 RIBBONLYTE



1 dimming module required per 30 ft (9.1 m)

*Max length before additional power is introduced
Maximum run length for IP68 waterproof RibbonLyte is 10 m (32.8 ft). For single runs longer than 10m, RibbonLyte will be daisy chained.

USAGE GUIDELINES

- IP65 and IP68 RibbonLyte are not field cuttable. All custom cuts and connections for these models must be performed at the factory to ensure waterproofing standards are met. Any modification of this on the field or by end user will result in a voided warranty.
- When installing this product take into account the surface temperature of the material this product is mounted to. Many building surfaces which are exposed to direct sunlight exceed the 70° C / 158° F maximum that our product is rated for. High risk locations like this should be avoided.
- Our IP65 can be used in wet, outdoor locations around swimming pools and spa tubs, but our products are not intended to be submerged in pools and fountains and do not carry UL676 certification to do so.
- Please refer to our RibbonLyte Proper Use Guide in our *Application Guide* for more information. Available for download at www.GENLEDBrands.com/Acolyte.
- Compatible with a wide variety of control products including the entire line of Lutron dimming systems.
- For use with GENLED Acolyte[®] drivers, 0-10V dimming modules and interface controllers (DMXINF models).
- Use with non-GENLED Acolyte[®] supplied Triac, MLV or ELV drivers is not supported or warranted.
- Due to the nature of the product, RibbonLyte cuttable lengths are generally longer or shorter than the customer requested length. Unless specified, RibbonLyte is factory cut at the shorter cuttable point.
- We reserve the right to make changes to product lineup, specifications, design and finishes at any time without notice.

GENLED Acolyte[®] does not warrant or represent that the information is free from errors or omission. The information may change without notice and GENLED Acolyte[®] is not in any way liable for the accuracy of any information printed and stored or in any way interpreted or used.

CHANNEL COMPATIBILITY / CHANNEL OPTIONS

CHANNEL	IP20 IP65	IP68	SURFACE MOUNTED CHANNELS										
			LENS OPTIONS: C - Clear F - Frosted K - Black M - Milky NP - Narrow Prismatic WP - Wide Prismatic RM - Round Milky SM - Square Milky										
AC1	✓	✓											
AC2	✓	✓											
AC3	✓	✓											
AC4	✓	✓											
AC5	✓	✓											
AC14	✓												
AP1	✓	✓	AC1 C, F, M	AC2 C, F, M	AC3 C, F, M	AC4 C, F, M	AC5 C, F, M	AC14 SM	AP1 C, K, M, SM	AS1 C, F, M			
AR1	✓												
AR2	✓	✓											
AR3	✓	✓											
AR5	✓												
AR8	✓												
AR10	✓		AS2 C, F, M	AS3 C, F, M	AS6 C, F, M	AS10 C, M	AS12 RM	AS13 RM, SM	AS14 SM	AS16 C, K, M			
AR14	✓												
AR16	✓	✓											
AR20	✓	✓											
AR23	✓												
AR25	✓	✓											
AR30	✓	✓	AS20G G	AS23 C, K, M, SM	AS28 M, NP, WP	AS30 M, RM, SM	AS53 M, NP, WP	AT4 C, F, M	AT5 C, F, M	AT11 C, F, M			
AR33	✓	✓											
AS1	✓												
AS2	✓	✓											
AS3	✓	✓											
AS6	✓	✓											
AS10	✓		AW10 C, K, M	AW12 C, K, M, RM	AW14 C, K, M	AW35 C, F, M	AW38 M, RM, SM	AW38 C, F, M	B1 C, F, M	B2 RM			
AS12	✓	✓											
AS13	✓	✓											
AS14	✓												
AS16	✓	✓											
AS20G	✓												
AS23	✓	✓	C22 C, F, M	GL2 C, F, M	ROUND C, F, M	ROUND12 C, K, M	ROUND20 C, K, M	ST10 C, F, M	WH35 C, F, M				
AS28	✓	✓											
AS30	✓	✓											
AS53	✓	✓											
AT4	✓	✓											
AT5	✓	✓											
AT11	✓	✓											
AW10	✓												
AW12	✓												
AW14	✓	✓											
AW35	✓	✓											
AW38	✓	✓											
AW40	✓		AR1 C, F, M	AR2 C, F, M	AR3 C, F, M	AR5 M	AR8 C, F, M	AR10 C, M	AR14 SM	AR16 C, K, M			
B1	✓												
B2	✓												
C22	✓	✓											
GL1	✓	✓											
GL2	✓	✓											
ROUND	✓	✓	AR20 C, K, M, SM	AR23 C, K, M	AR25 M, RM, SM	AR30 M, RM, SM	AR33 M, NP, WP	GL1 C, F, M	SC1 M	SC2 M			
ROUND12	✓												
ROUND20	✓	✓											
SC1	✓	✓											
SC2	✓	✓											
SC3	✓												
SC4	✓	✓	SC3 M	SC4 M, RM, SM	SC5 M, RM, SM	SC6 C, K, M, SM	SC-CORNER1 M	SC-CORNER2 M	W31 C, F, M				
SC5	✓	✓											
SC6	✓	✓											
SC-CORNER1	✓												
SC-CORNER2	✓												
ST10	✓												
W31	✓	✓											
WH35	✓	✓											

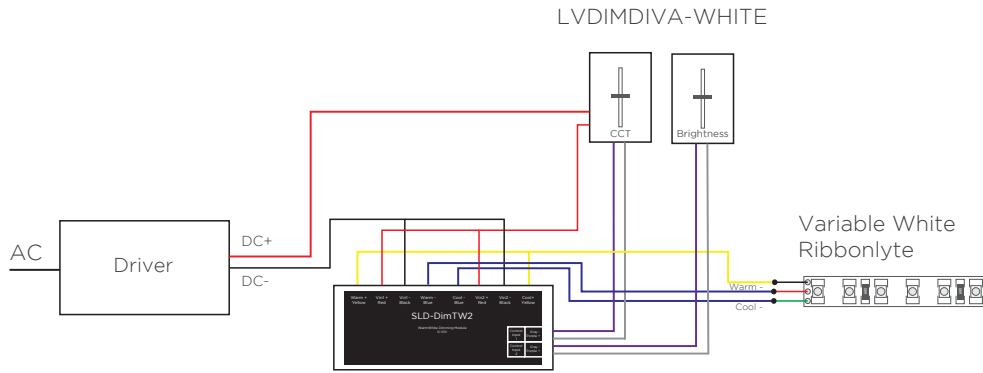
RECESSED CHANNELS

DISCLAIMER

When installing this product take into account the surface temperature of the material this product is mounted to. Many building surfaces which are exposed to direct sunlight exceed the 70°C/158°F maximum that our product is rated for. High risk locations like this should be avoided. Our IP68 product is not intended to be submerged in pools and fountains and does not carry UL676 certification to do so.

WIRING DIAGRAMS

2-CHANNEL DIMMING WIRING DIAGRAM



WIRE COLORS PER RIBBONLYTE COLOR

- VARIABLE WHITE**
- Black Wire (+) Positive
 - Red Wire (-) Warm Channel
 - Green Wire (-) Cool Channel

* 0-100% flicker-free performance not guaranteed when used with non-GENLED Acolyte Drivers

DMX WIRING DIAGRAM - COMPATIBLE WITH ALL MODELS OF VARIABLE WHITE RIBBONLYTE

