



Features and Benefits:

- Class 2 dual output channels for powering two strings of LED modules
- On Primary side, 1/2" NPT thread connector for easy AC electrical wiring
- On Secondary side, cable and connectors for directly plugging into LED modules
- Active Power Factor Correction (0.99 Typical)
- Wide AC input voltage range 100-277V 50/60Hz
- 0-10V Dimming Control
- Surge, over-current, over-voltage, over-temperature and short-circuit protections
- IP67 rated, UL certified for use damp and dry locations
- Compliant with FCC Title 47 CFR Part 15 ANSI C63.4: 2009 Class B
- 5 Year Limited Warranty



CLASS 2 CONSTANT CURRENT (UL CERT.)



5 YEAR WARRANTY



PRODUCT INFORMATION

Part Number	PS0700-150W-100-277V-20
Rated Input Voltage	100 -277V AC
Rated Input Frequency	50/60 Hz
Input Current	Nom. 1.25 A @ 120V AC Nom. 0.78 A @ 277V AC
Rated DC Output Voltage ¹	24-54V DC
Max. DC Output Power	150W DC
# of Output Current Channels	2
Output Current per Channel	1.4A DC
Power Efficiency ²	88% @ 120V AC, 100% load 91% @ 220V AC, 100% load
Typical Power Factor	0.99 @ 120V AC 0.95 @ 220V AC
IP Rating	IP68
Operating Ambient Temp.	-40° — +140° F (-40° — +60° C)
Lifetime ³	50,000 hours @ 45°C ambient, 80% load
Dimensions (L x W x H)	8.35" x 3.39" x 1.50" 212 mm x 86 mm x 38 mm
Net Weight	2.95 lb 1.34 kg

¹ Tolerance ± 0.6V

² Measured with full load at rated AC input voltage

³ For case temperature ≤68°C;

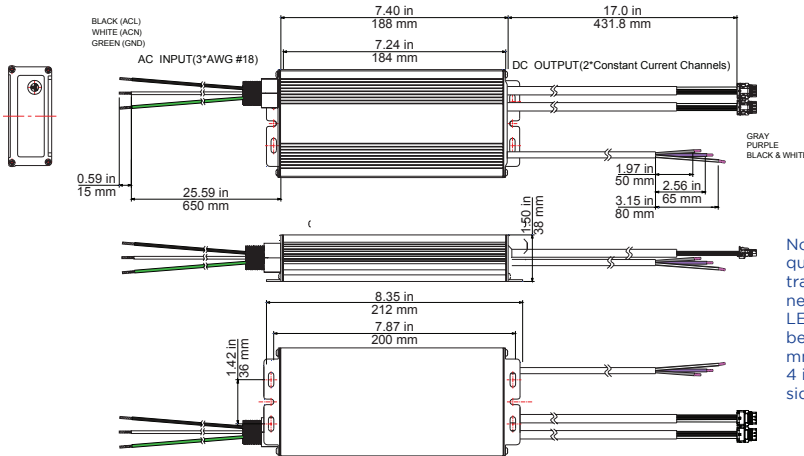
Case temperature shall not exceed 90°C in application.

STANDARD COMPLIANCE

Safety	Safety Standards
UL / cUL CE	
Country/Region	UL 8750, UL 1012, UL 879, UL 879A CSA-C22.2 No.207
USA & Canada	EU
EMI Standards	
EN 55015	Conducted emission Test & Radiated emission Test with 6 dB margin
EN 61000-3-2	Harmonic current emissions: Class C
EN 61000-3-3	Voltage fluctuations & flicker
EN 61000-4-2	Electrostatic Discharge (ESD): 8 kV air discharge, 4 kV contact discharge
EN 61000-4-3	Radio-Frequency Electromagnetic Field Susceptibility Test-RS
EN 61000-4-4	Electrical Fast Transient / Burst (Level 3 2KV/5K Hz)
EN 61000-4-5	Surge Immunity Test: AC Power Line (L to N 2 kV, L to GND4 kV)
EN 61000-4-6	Conducted Radio Frequency Disturbances Test-CS
EN 61000-4-8	Power Frequency Magnetic Field Test
EN 61000-4-11	Immunity against mains dips/ mains interruptions
EN 61547	Electromagnetic Immunity Requirements Applies to Lighting Equipment

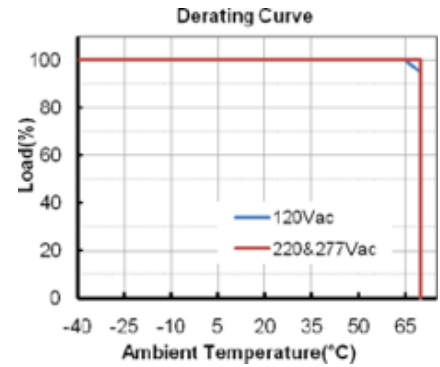


DIMENSIONS

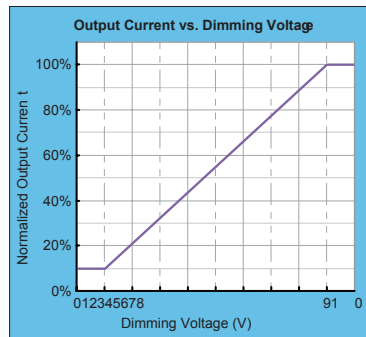
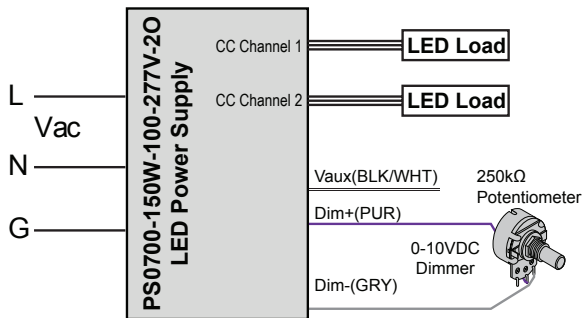


Note: UL 48 Standard requires spacings between transformers, ballasts, neon power supplies and LED power supplies shall be at least 1 inch (25.4 mm) from end to end and 4 inches (101.6 mm) from side to side.

DERATING CURVE



DIMMING CONTROLS



WARNING: CONNECTING TO AC LINE VOLTAGE BEFORE CONNECTING THE LED MODULES TO THE POWER SUPPLY WILL DAMAGE THE SYSTEM AND VOID THE WARRANTY.

WIRING GAUGE CHART

Wire Size	Maximum Distance*		
	Feet	Meters	
Gauge (AWG)	Metric (mm ²)		
26	0.13	3	0.9
24	0.21	4	1.2
22	0.33	7	2.1
20	0.52	11	3.4
18	0.82	18	5.5
16	1.31	29	8.8
14	2.08	45	13.7
12	3.31	71	21.6
10	5.26	120	36.6

*Distance from power supply to 100% load

POWER SUPPLY LOADING

Power Supply	Output Voltage	# of Modules / Power Supply	
		Single Channel Usage	Double Channel Usage
PS0700-150W-100-277V-20	24-54V	9 to 16	(8 to 16)/Channel (16 to 32) Total

SHIPPING INFORMATION

Module Type	Specs	Packaging Quantity		Case Weight	SKU Dimensions			Case Dimensions			
		Per SKU	Per Case		W	D	H	W	D	H	
PS0700-150W-100-277V-20	# of Units	1	12	41.0 lb 18.6 kg	8.35	3.39	1.50	19.7	14.6	13.2	inch
					212	86	38	500	370	335	mm



1. The maximum case temperature Tc shall not exceed 194°F (90°C) when used in end product.
2. These products are intended to be connected to a max. 20 A branch circuit.
3. These products are intended for use in dry and damp locations.