



Features and Benefits:

- Class 2 dual output channels for powering two strings of LED modules
- Threaded primary 1/2" NPT connector for easy AC electrical wiring
- Fast installation with IP67 connector directly plugging into BoxRayz LED modules
- Universal AC input 100-277V 50/60Hz
- Built-in dimming control circuit 0-10V
- IP67 Rated, UL Certified for use in dry and damp locations
- 5 Year Limited Warranty



CLASS 2 CONSTANT CURRENT (UL CERT.)



5 YEAR WARRANTY

PRODUCT INFORMATION

Part Number	PS0700-75W-1-A-D
Rated Input Voltage	100 -277V AC
Max. Input Voltage	90-305V AC
Rated Input Frequency	50/60 Hz
AC Input Current	Max. 0.77A @ 120V AC Max. 0.34A @ 277V AC
Rated DC Output Current	1.4A DC (0.7A x 2)
DC Output Current Tolerance	+/- 5%
# of DC Output Channels	1 (including 2 DC Current Outputs)
DC Output Power	Max. 75W DC, Min 17.5W DC
DC Output Voltage Range	12.5V - 54V
DC Output Classification	UL Class 2
Power Efficiency ¹	88% @ 120V AC, 100% load 90% @ 220V AC, 100% load 90% @ 277V AC, 100% load
Typical Power Factor	≥ 0.90 @ 100-277V AC
Typical THD	≤ 20% @ 120-277V AC
Inrush Current	Max. 61A @ 220V AC, 77° F (25° C) cold start, 1 ms
Protection	Short circuit, over temperature
Surge Immunity	AC line to line 4kV, AC line to earth 6kV
IP Rating	IP67
Operating Ambient Temp.	-40° — +140° F (-40° — +60° C)
Maximum Case Temp. Tc	+194° F (+90° C)
Storage Temp.	-40° — +185° F (-40° — +85° C)
Lifetime ²	50,000 hours @ Tc ≤ 167° F (75° C)
Dimensions (L x W x H)	8.02" x 2.52" x 1.26" 204 mm x 64 mm x 32 mm
Net Weight	1.874 lb 0.85 kg



STANDARD COMPLIANCE

Safety	Safety Standards
UL / cUL	CE
Country/Region	UL 8750, UL 1012, UL 879, UL 879A CSA-C22.2 No.207
USA & Canada	EU
EMI Standards	
EN 55015	Conducted emission Test & Radiated emission Test with 6 dB margin
EN 61000-3-2	Harmonic current emissions: Class C
EN 61000-3-3	Voltage fluctuations & flicker
EN 61000-4-2	Electrostatic Discharge (ESD): 8 kV air discharge, 4 kV contact discharge
EN 61000-4-3	Radio-Frequency Electromagnetic Field Susceptibility Test-RS
EN 61000-4-4	Electrical Fast Transient / Burst (Level 3 2KV/5K Hz)
EN 61000-4-5	Surge Immunity Test: AC Power Line (L to N 2 kV, L to GND4 kV)
EN 61000-4-6	Conducted Radio Frequency Disturbances Test-CS
EN 61000-4-8	Power Frequency Magnetic Field Test
EN 61000-4-11	Immunity against mains dips / mains interruptions
EN 61547	Electromagnetic Immunity Requirements Applies to Lighting Equipment

¹ Tolerance ± 0.6V

² Measured with full load at rated AC input voltage

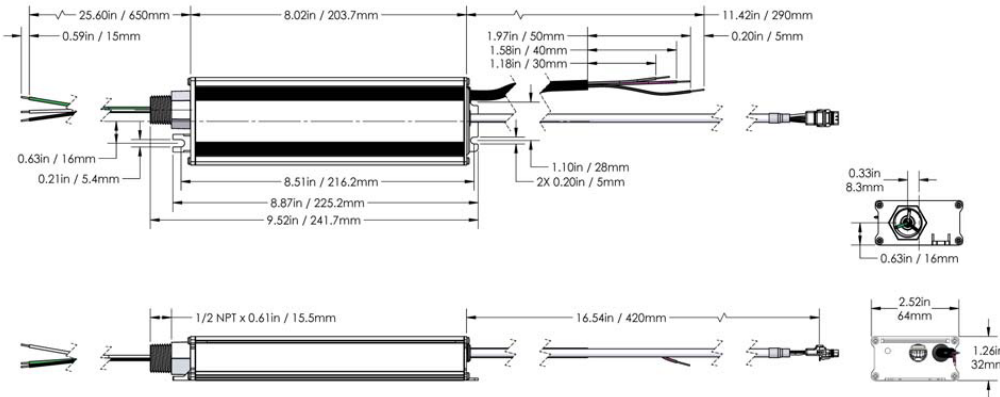
³ For case temperature ≤68°C;

Case temperature shall not exceed 90°C in application.

REV: 14JUL2020

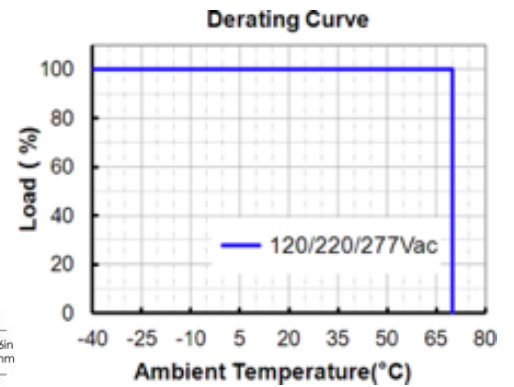
Data sheet subject to change without notice.

DIMENSIONS

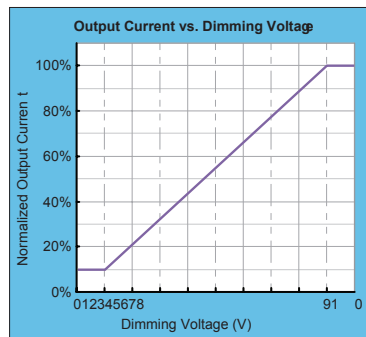
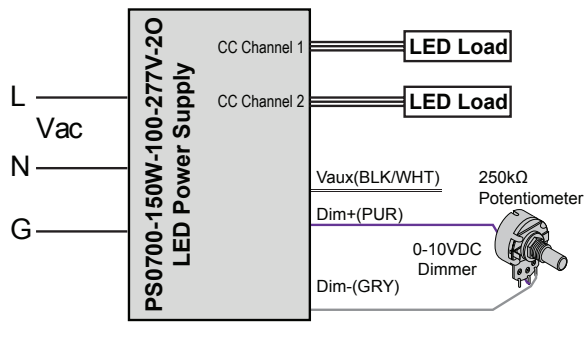


Note: UL 48 Standard requires spacings between transformers, ballasts, neon power supplies and LED power supplies shall be at least 1 inch (25.4 mm) from end to end and 4 inches (101.6 mm) from side to side.

DERATING CURVE



DIMMING CONTROLS



WARNING: CONNECTING TO AC LINE VOLTAGE BEFORE CONNECTING THE LED MODULES TO THE POWER SUPPLY WILL DAMAGE THE SYSTEM AND VOID THE WARRANTY.

WIRING GAUGE CHART

Wire Size		Maximum Distance*	
Gauge (AWG)	Metric (mm ²)	Feet	Meters
26	0.13	3	0.9
24	0.21	4	1.2
22	0.33	7	2.1
20	0.52	11	3.4
18	0.82	18	5.5
16	1.31	29	8.8
14	2.08	45	13.7
12	3.31	71	21.6
10	5.26	120	36.6

*Distance from power supply to 100% load

POWER SUPPLY LOADING

Power Supply	Output Voltage	Output Current	Total # of Modules
PS0700-75W-1-A-D	12.5 - 54V	1.4A (0.70A/LED)	5 to 16 Modules

SHIPPING INFORMATION

Module Type	Specs	Packaging Quantity		Case Weight	SKU Dimensions			Case Dimensions			
		Per SKU	Per Case		W	D	H	W	D	H	
PS0700-75W-1-A-D	# of Units	1	12	41.0 lb 18.6 kg	8.35	3.39	1.50	19.7	14.6	13.2	inch
					212	86	38	500	370	335	mm



1. The maximum case temperature Tc shall not exceed 194°F (90°C) when used in end product.
2. These products are intended to be connected to a max. 20 A branch circuit.
3. These products are intended for use in dry and damp locations.