



**Features and Benefits:**

- Class 2 dual output channels for powering two strings of LED modules
- On Primary side, 1/2" NPT thread connector for easy AC electrical wiring
- On Secondary side, cable and connectors for directly plugging into LED modules
- Active Power Factor Correction (0.99 Typical)
- Wide AC input voltage range 100-277V 50/60Hz
- 0-10V Dimming Control
- Surge, over-current, over-voltage, over-temperature and short-circuit protections
- IP67 rated, UL certified for use damp and dry locations
- Compliant with FCC Title 47 CFR Part 15 ANSI C63.4: 2009 Class B
- 5 Year Limited Warranty



CLASS 2 CONSTANT CURRENT (UL CERT.)



5 YEAR WARRANTY



**IP67**



**RoHS**

**PRODUCT INFORMATION**

<b>Part Number</b>	PS0700-150W-2-E-D
<b>Rated Input Voltage</b>	100 -277V AC
<b>Rated Input Frequency</b>	50/60 Hz
<b>Input Current</b>	Nom. 1.25 A @ 120V AC Nom. 0.78 A @ 277V AC
<b>Rated DC Output Voltage <sup>1</sup></b>	24-54V DC
<b>Max. DC Output Power</b>	150W DC
<b># of Output Current Channels</b>	2
<b>Output Current per Channel</b>	1.4A DC
<b>Power Efficiency <sup>2</sup></b>	88% @ 120V AC, 100% load 91% @ 220V AC, 100% load
<b>Typical Power Factor</b>	0.99 @ 120V AC 0.95 @ 220V AC
<b>IP Rating</b>	IP68
<b>Operating Ambient Temp.</b>	-40° — +140° F (-40° — +60° C)
<b>Lifetime <sup>3</sup></b>	50,000 hours @ 45°C ambient, 80% load
<b>Dimensions (L x W x H)</b>	8.35" x 3.39" x 1.50" 212 mm x 86 mm x 38 mm
<b>Net Weight</b>	2.95 lb   1.34 kg

<sup>1</sup> Tolerance ± 0.6V

<sup>2</sup> Measured with full load at rated AC input voltage

<sup>3</sup> For case temperature ≤68°C;

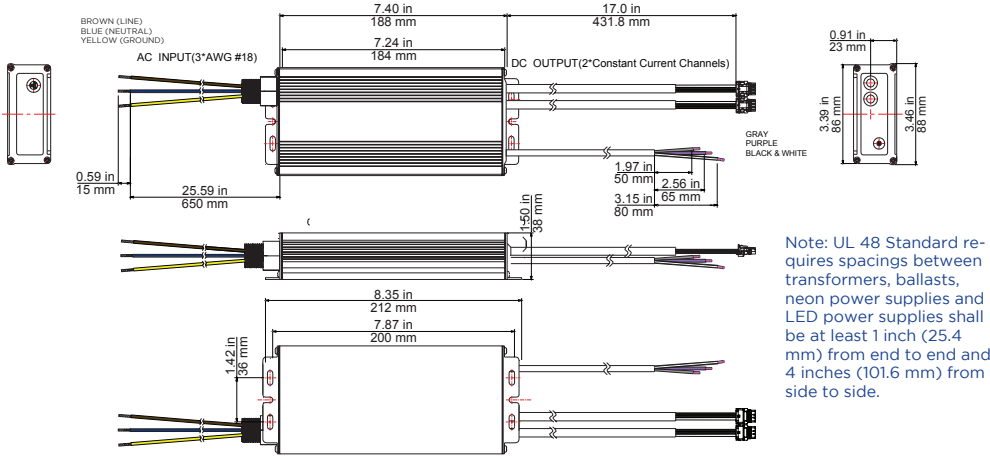
Case temperature shall not exceed 90°C in application.

**STANDARD COMPLIANCE**

Safety	Safety Standards
UL / cUL CE	
Country/Region	UL 8750, UL 1012, UL 879, UL 879A CSA-C22.2 No.207
USA & Canada	EU
EMI Standards	
EN 55015	Conducted emission Test & Radiated emission Test with 6 dB margin
EN 61000-3-2	Harmonic current emissions: Class C
EN 61000-3-3	Voltage fluctuations & flicker
EN 61000-4-2	Electrostatic Discharge (ESD): 8 kV air discharge, 4 kV contact discharge
EN 61000-4-3	Radio-Frequency Electromagnetic Field Susceptibility Test-RS
EN 61000-4-4	Electrical Fast Transient / Burst (Level 3 2KV/5K Hz)
EN 61000-4-5	Surge Immunity Test: AC Power Line (L to N 2 kV, L to GND4 kV)
EN 61000-4-6	Conducted Radio Frequency Disturbances Test-CS
EN 61000-4-8	Power Frequency Magnetic Field Test
EN 61000-4-11	Immunity against mains dips/ mains interruptions
EN 61547	Electromagnetic Immunity Requirements Applies to Lighting Equipment

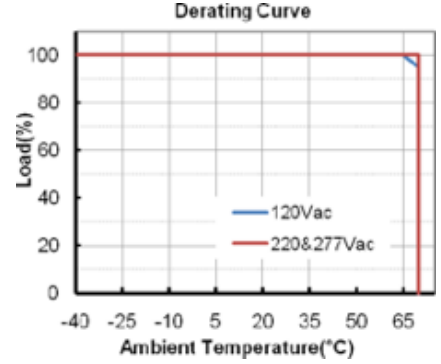


**DIMENSIONS**

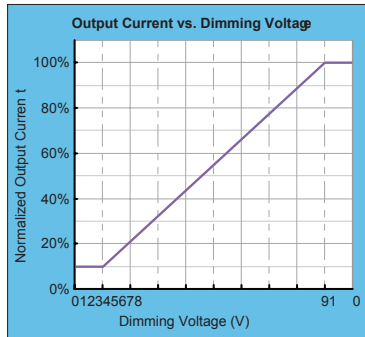
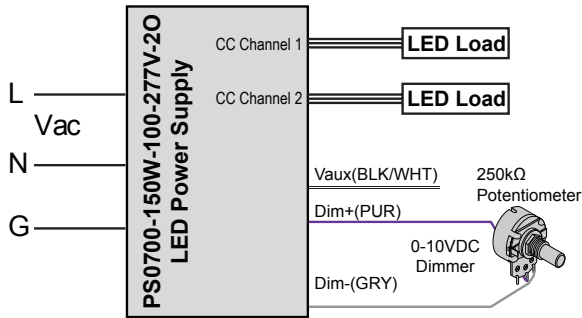


Note: UL 48 Standard requires spacings between transformers, ballasts, neon power supplies and LED power supplies shall be at least 1 inch (25.4 mm) from end to end and 4 inches (101.6 mm) from side to side.

**DERATING CURVE**



**DIMMING CONTROLS**



**WARNING: CONNECTING TO AC LINE VOLTAGE BEFORE CONNECTING THE LED MODULES TO THE POWER SUPPLY WILL DAMAGE THE SYSTEM AND VOID THE WARRANTY.**

**WIRING GAUGE CHART**

Gauge (AWG)	Metric (mm <sup>2</sup> )	Maximum Distance*	
		Feet	Meters
26	0.13	3	0.9
24	0.21	4	1.2
22	0.33	7	2.1
20	0.52	11	3.4
18	0.82	18	5.5
16	1.31	29	8.8
14	2.08	45	13.7
12	3.31	71	21.6
10	5.26	120	36.6

\*Distance from power supply to 100% load

**POWER SUPPLY LOADING**

Power Supply	Output Voltage	# of Modules / Power Supply	
		Single Channel Usage	Double Channel Usage
PS0700-150W-2-E-D	24-54V	9 to 16	(8 to 16)/Channel (16 to 32) Total

**SHIPPING INFORMATION**

Module Type	Specs	Packaging Quantity		Case Weight	SKU Dimensions			Case Dimensions			
		Per SKU	Per Case		W	D	H	W	D	H	
PS0700-150W-2-E-D	# of Units	1	12	41.0 lb 18.6 kg	8.35	3.39	1.50	19.7	14.6	13.2	inch
					212	86	38	500	370	335	mm



1. The maximum case temperature Tc shall not exceed 194°F (90°C) when used in end product.
2. These products are intended to be connected to a max. 20 A branch circuit.
3. These products are intended for use in dry and damp locations.