



Features and Benefits:

- Ultra high efficiency (Up to 92%)
- High power factor (0.99 Typical)
- Constant voltage output
- Lightning protection
- All-around protection: OVP, OCP, SCP, OTP
- IP67 rating: for use in dry, damp and wet locations
- 5-year limited warranty



24V DC



5 YEAR WARRANTY

IP67

PRODUCT INFORMATION

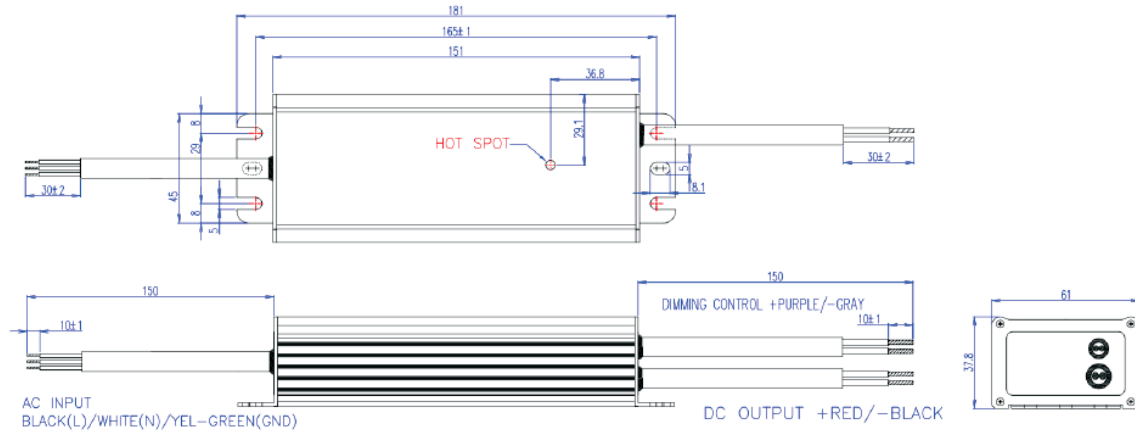
Part Number	PS24-96-100-277-Y
Rated Input Voltage	100-277V AC
Rated Input Frequency	50/60 Hz
AC Input Current	Max. 0.6 A @ 120V AC Max. 0.32 A @ 230V AC Max. 0.27 A @ 277V AC
Rated DC Output Voltage ¹	24V DC
Max. DC Output Power	96W DC
Max. DC Output Current	4.00 A DC
Power Efficiency	Up to 86% max
Typical Power Factor	0.90 @ 120V AC 0.90 @ 230V AC 0.90 @ 277V AC
Max. Inrush Current ²	30 A 277V AC full load 70 A 120V AC full load
IP Rating	IP67
Operating Ambient Temp.	-86° — +122° F (-30° — +50° C)
Lifetime	50,000 hours @Tc= 82.5° C, 120V, 100% load
Dimensions (L x W x H)	6.22 x 2.4 x 1.49 in. 158 x 61 x 37.8 mm
Net Weight	1.6 lbs (0.73 kg)

STANDARD COMPLIANCE

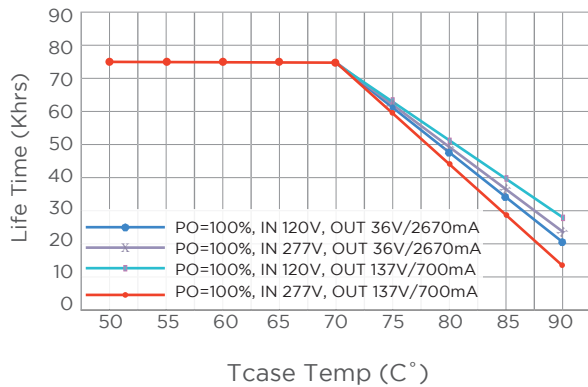
Safety	Safety Standards
UL	UL 8750, UL 1310 Class 2, UL 1012 Non-Class 2
CSA	CSA-C22.2 No. 107.1
Withstand Voltage	Input to Output: 2000V AC (UL), 3750V AC (CE)
CE	EN 61347-1:2007 + A1:2010 + A2:2012, EN 61347-2-13:2014, EN 62493:15
Isolation Resistance	Input to output: 2000V AC (UL), 3750V AC (CE) Input to output > 10MO, 500V DC @ 25, 70%RH
EMI Standard	
FCC	FCC 47CFR Part 15, ANSI C63.4: 2009
CE	EN 55015:2013 + A1:2015 EN 61000-3-2:2014, EN 61000-3-3:2013
EN 61000-4-2	Electrostatic Discharge (ESD): 8kV air discharge, 4kV contact discharge
EN 61000-4-3	Radio-Frequency Electromagnetic Field Susceptibility Test- RS
EN 61000-4-4	Electrical Fast Transient/Burst-EFT
EN 61000-4-5	Surge Immunity Test: AC Power Line: line to line 4kV, line to earth 6kV
EN 61000-4-6	Conducted Radio Frequency Disturbances Test-CS
EN 61547	Electromagnetic Immunity Requirements Apply To Lighting Equipment



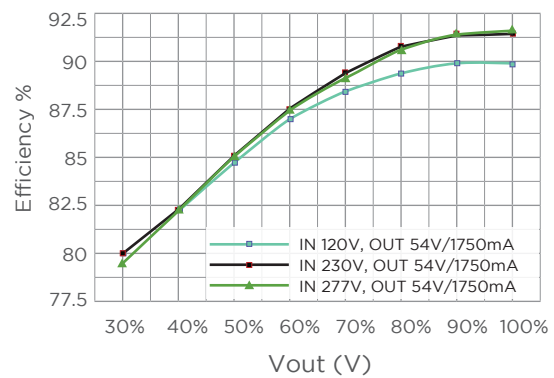
DIMENSIONS



Typical Lifetime vs. Tcase Temp



Typical Efficiency vs. Vout at 25°C Ambient Temp



SHIPPING INFORMATION

Part Number	Specs	Packaging Quantity		Carton Weight	Box Dimensions			Carton Dimensions			
		Per Box	Per Carton		W	D	H	W	D	H	
PS24-96-100-277V-Y	# of Units			0 lbs 0 kg							in. mm



1. The maximum case temperature Tc shall not exceed 192°F (89°C) when used in end product.
2. This product is intended to be connected to a max 20A branch circuit.
3. This product is intended for use in dry, damp and wet locations.