



#### Features and Benefits:

- Very slim housing only 0.91" (23 mm) height and 1.57" (40 mm) width
- Best for mounting inside shallow signs down to 2" (50 mm) depth with no shadowing on the sign face
- Wide AC input voltage range 120-277V 50/60Hz
- IP67 rated, for use in dry and damp locations
- Compliant with FCC Title 47 CFR Part 15, ANSI C63.4:2009 Class B
- 5 Year Limited Warranty



12V DC



5 YEAR WARRANTY

**cULus IP67 RoHS**

#### PRODUCT INFORMATION

|   |   |
|---|---|
| <b>Part Number</b>                      | PS12-SL-100W-120-277V                                   |
| <b>Rated Input Voltage</b>              | 120 -277V AC  |
| <b>Max. Input Voltage</b>               | 108 -305V AC  |
| <b>Rated Input Frequency</b>            | 50/60 Hz  |
| <b>AC Input Current</b>                 | Max. 0.98A @ 120V AC<br>Max. 0.43A @ 277V AC            |
| <b>Rated DC Output Voltage</b>          | 12 V DC   |
| <b>DC Output Voltage Tolerance</b>      | -0% / +10%  |
| <b>Max. DC Output Power</b>             | 100W DC   |
| <b>Max. DC Output Current</b>           | 8.33A DC  |
| <b>Min. DC Load</b>                     | 10% (0.833A)  |
| <b>DC Output Classification</b>         | UL Class 1  |
| <b>Power Efficiency<sup>1</sup></b>     | > 87% @ 120V AC<br>> 90% @ 230V AC<br>> 89% @ 277V AC   |
| <b>Typical Power Factor<sup>1</sup></b> | > 0.95 @ 120V AC, 230V AC<br>> 0.95 @ 277V AC           |
| <b>Typical THD</b>                      | < 20% @ 120-277V AC <sup>2</sup>                        |
| <b>Protection</b>                       | open circuit, short circuit, overload, over temperature |
| <b>Surge Immunity</b>                   | AC L to N 2 kV, AC L to GND4 kV                         |
| <b>IP Rating</b>                        | IP67  |
| <b>Operating Ambient Temp.</b>          | -40° — +140° F<br>(-40° — +60° C)                       |
| <b>Maximum Case Temp. T<sub>c</sub></b> | +194° F (+90° C)  |
| <b>Storage Temp.</b>                    | -40° — +185° F<br>(-40° — +85° C)                       |
| <b>Lifetime</b>                         | 50,000 hours<br>@ 50°C ambient, 100% load               |
| <b>Dimensions (L x W x H)</b>           | 10.63" x 1.57" x 0.91"<br>270 mm x 40 mm x 23 mm        |
| <b>Net Weight</b>                       | 1.235 lb   0.56 kg                                      |

<sup>1</sup> Measured at full load, 77° F (25° C) ambient temperature

<sup>2</sup> Measured at ≥75% load

REV: 04JUN019

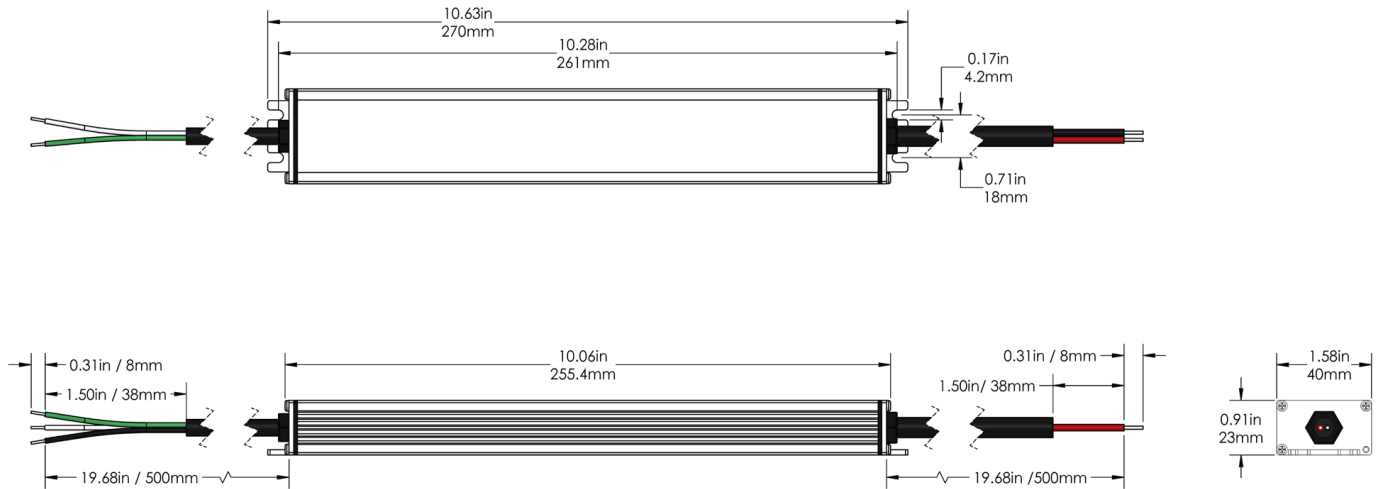
Data sheet subject to change without notice.

#### STANDARD COMPLIANCE

| Safety                  | Safety Standards   |
|-------------------------|--|
| <b>UL / cUL</b>         | UL 879,<br>UL 879A,<br>UL 8750,<br>UL 1310 Class 2   |
| <b>Country</b>          | CSA-C22.2 No. 107.1,<br>CSA C22.2 No. 223-M91 Class 2  |
| <b>USA &amp; Canada</b> |  |
| EMI Standards           |  |
| <b>FCC Part 15</b>      | ANSI C63.4:2009 Class B  |
| <b>EN 55015</b>         | CISPR15 -Limits and methods of measurement of radio disturbance characteristics of electrical lighting and similar equipment |
| <b>EN 61000-4-4</b>     | Electrical Fast Transient / Burst (Level 3 2KV/5K Hz)  |
| <b>EN 61000-4-5</b>     | Surge Immunity Test: AC Power Line (L to N 2 kV, L to GND4 kV)   |
| <b>EN 61000-4-11</b>    | Immunity against mains dips / mains interruptions  |
| <b>IEC 62493</b>        | Assessment of lighting equipment related to human exposure to electromagnetic fields   |



## DIMENSIONS



Note: UL certification requires the power supply spacing to other power supplies, transformers, and ballasts shall be at least 1 inch (25.4 mm) from end to end and 4 inches (101.6 mm) from side to side.

## SHIPPING INFORMATION

| Module Type           | Specs      | Packaging Quantity |            | Carton Weight       | Box Dimensions |       |      | Carton Dimensions |       |      |      |
|-----------------------|------------|--------------------|------------|---------------------|----------------|-------|------|-------------------|-------|------|------|
|                       |            | Per Box            | Per Carton |                     | W              | D     | H    | W                 | D     | H    |      |
| PS12-SL-100W-120-277V | # of Units | 1                  | 10         | 14.40 lb<br>6.53 kg | 2.99           | 12.60 | 1.89 | 13.23             | 15.59 | 5.63 | inch |
|                       |            |                    |            |                     | 76             | 320   | 48   | 336               | 396   | 143  | mm   |



1. The maximum case temperature Tc shall not exceed 167°F (75°C) when used in end product.
2. These products are intended to be connected to a max. 20 A branch circuit.
3. These products are intended for use in dry and damp locations.