



#### Features and Benefits:

- Very slim housing only 0.83" (21 mm) height and 1.57" (40 mm) width
- Best for mounting inside shallow signs down to 2" (50 mm) depth with no shadowing on the sign face
- Wide AC input voltage range 120-277V 50/60Hz
- IP67 rated, for use in dry and damp locations
- Compliant with FCC Title 47 CFR Part 15, ANSI C63.4: 2009 Class B
- 5 Year Limited Warranty



12V DC



5 YEAR WARRANTY



**IP67**



**RoHS**

#### PRODUCT INFORMATION

<b>Part Number</b>	<b>PS12-SL-15W-120-277V</b>
<b>Rated Input Voltage</b>	120 -277V AC
<b>Max. Input Voltage</b>	108 -305V AC
<b>Rated Input Frequency</b>	50/60 Hz
<b>AC Input Current</b>	Max. 0.20A @ 120V AC Max. 0.09A @ 277V AC
<b>Rated DC Output Voltage</b>	12 V DC
<b>DC Output Voltage Tolerance</b>	-0% / +10%
<b>Max. DC Output Power</b>	15W DC
<b>Max. DC Output Current</b>	1.25A DC
<b>Min. DC Load</b>	10% (0.125A)
<b>DC Output Classification</b>	UL Class 2
<b>Power Efficiency<sup>1</sup></b>	> 83% @ 120V AC > 85% @ 230V AC > 84% @ 277V AC
<b>Typical Power Factor<sup>1</sup></b>	> 0.95 @ 120V AC, 230V AC > 0.90 @ 277V AC
<b>Typical THD</b>	< 20% @ 120-277V AC <sup>2</sup>
<b>Protection</b>	open circuit, short circuit, overload, over temperature
<b>Surge Immunity</b>	AC L to N 2 kV, AC L to GND4 kV
<b>IP Rating</b>	IP67
<b>Operating Ambient Temp.</b>	-40° — +140° F (-40° — +60° C)
<b>Maximum Case Temp. T<sub>c</sub></b>	+167° F (+75° C)
<b>Storage Temp.</b>	-40° — +185° F (-40° — +85° C)
<b>Lifetime</b>	50,000 hours @ 50°C ambient, 100% load
<b>Dimensions (L x W x H)</b>	5.71" x 1.57" x 0.83" 145 mm x 40 mm x 21 mm
<b>Net Weight</b>	0.463 lb   0.21 kg

<sup>1</sup> Measured at full load, 77° F (25° C) ambient temperature

<sup>2</sup> Measured at ≥75% load

REV: 09SEP2020

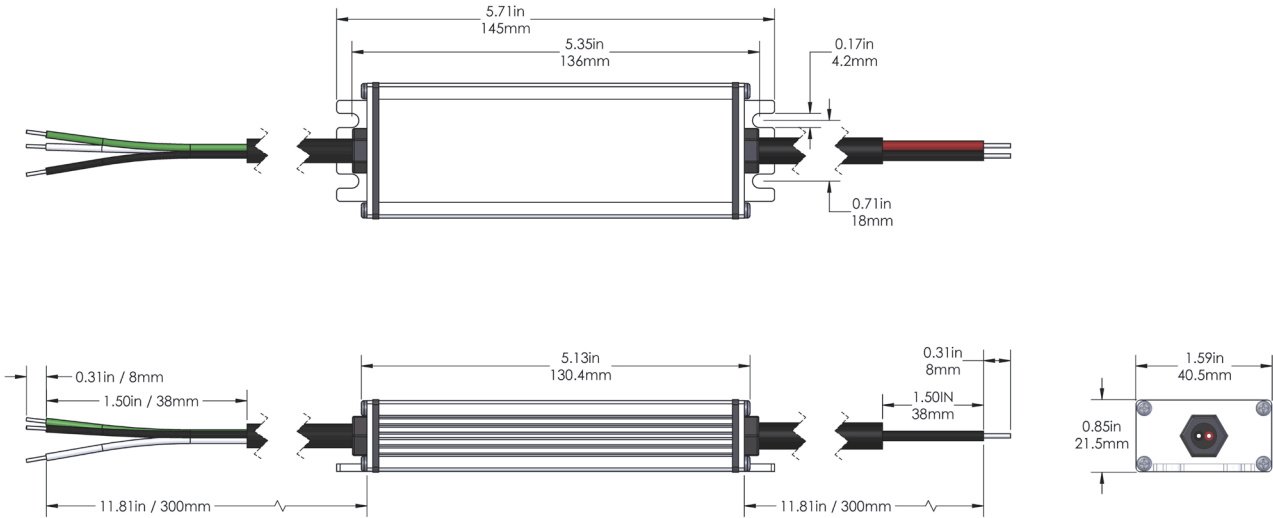
Data sheet subject to change without notice.

#### STANDARD COMPLIANCE

Safety	Safety Standards	
UL / cUL		
Country	UL 879, UL 879A UL 8750,	CSA-C22.2 No.107.1 CSA-C22.2 No.223- M91 Class 2
USA & Canada	UL 1310 Class 2	
EMI Standards		
FCC Part 15	ANSI C63.4:2009 Class B	
EN 55015	CISPR15 -Limits and methods of measurement of radio disturbance characteristics of electrical lighting and similar equipment	
EN 61000-4-4	Electrical Fast Transient / Burst (Level 3 2KV/5K Hz)	
EN 61000-4-5	Surge Immunity Test: AC Power Line (L to N 2 kV, L to GND4 kV)	
EN 61000-4-11	Immunity against mains dips / mains interruptions	
IEC 62493	Assessment of lighting equipment related to human exposure to electromagnetic fields	



## DIMENSIONS



Note: UL certification requires the power supply spacing to other power supplies, transformers, and ballasts shall be at least 1 inch (25.4 mm) from end to end and 4 inches (101.6 mm) from side to side.

## SHIPPING INFORMATION

Module Type	Specs	Packaging Quantity		Carton Weight	Box Dimensions			Carton Dimensions			
		Per Box	Per Carton		W	D	H	W	D	H	
PS12-SL-15W-120-277V	# of Units	1	20	11.09 lb	2.01	6.89	1.89	10.67	14.69	5.79	inch
				5.03 kg	51	175	48	271	373	147	mm



1. The maximum case temperature T<sub>c</sub> shall not exceed 167°F (75°C) when used in end product.
2. These products are intended to be connected to a max. 20 A branch circuit.
3. These products are intended for use in dry and damp locations.