



#### Features and Benefits:

- Very slim housing only 1.14" (29 mm) height and 2.36" (60 mm) width
- Best for mounting inside shallow signs down to 2" (50 mm) depth with no shadowing on the sign face
- Wide AC input voltage range 120-277V 50/60Hz
- IP67 rated, for use in dry and damp locations
- Compliant with FCC Title 47 CFR Part 15, ANSI C63.4:2009 Class B
- 5 Year Limited Warranty



**UL** **IP67** **RoHS**

#### PRODUCT INFORMATION

Part Number	PS24-SL-180W-120-277V
Rated Input Voltage	120 -277V AC
Max. Input Voltage	108 -305V AC
Rated Input Frequency	50/60 Hz
AC Input Current	Max. 1.90A @ 120V AC Max. 0.81A @ 277V AC
Rated DC Output Voltage	24 V DC
DC Output Voltage Tolerance	-0% / +5%
Max. DC Output Power	180W DC
Max. DC Output Current	7.5A DC
Min. DC Load	10% (1.5A)
DC Output Classification	UL Class 1
Power Efficiency <sup>1</sup>	> 87% @ 120V AC > 90% @ 230V AC > 89% @ 277V AC
Typical Power Factor <sup>1</sup>	> 0.95 @ 120V AC, 230V AC > 0.95 @ 277V AC
Typical THD	< 20% @ 120-277V AC <sup>2</sup>
Protection	open circuit, short circuit, overload, over temperature
Surge Immunity	AC L to N 2 kV, AC L to GND4 kV
IP Rating	IP67
Operating Ambient Temp.	-40° — +140° F (-40° — +60° C)
Maximum Case Temp. T <sub>c</sub>	+194° F (+90° C)
Storage Temp.	-40° — +185° F (-40° — +85° C)
Lifetime	50,000 hours @ 50°C ambient, 100% load
Dimensions (L x W x H)	9.65" x 2.36" x 1.14" 245 mm x 60 mm x 29 mm
Net Weight	2.072 lb   0.94 kg

#### STANDARD COMPLIANCE

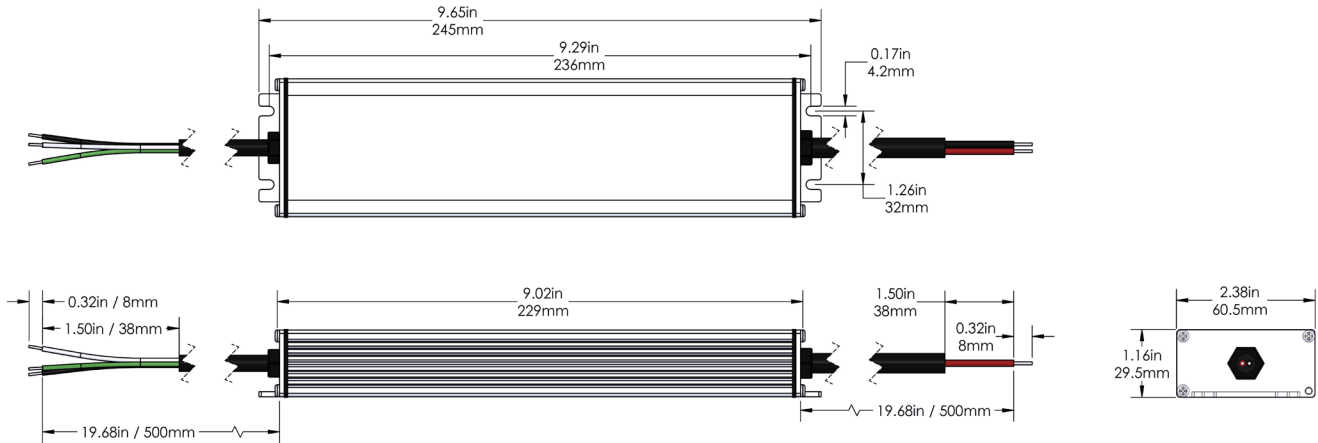
Safety	Safety Standards
UL / cUL	UL 879, UL 879A, UL 8750, UL 1310 Class 2
Country	CSA-C22.2 No. 107.1, CSA C22.2 No. 223-M91 Class 2
USA & Canada	
EMI Standards	
FCC Part 15	ANSI C63.4:2009 Class B
EN 55015	CISPR15 -Limits and methods of measurement of radio disturbance characteristics of electrical lighting and similar equipment
EN 61000-4-4	Electrical Fast Transient / Burst (Level 3 2KV/5K Hz)
EN 61000-4-5	Surge Immunity Test: AC Power Line (L to N 2 kV, L to GND4 kV)
EN 61000-4-11	Immunity against mains dips / mains interruptions
IEC 62493	Assessment of lighting equipment related to human exposure to electromagnetic fields

<sup>1</sup> Measured at full load, 77° F (25° C) ambient temperature

<sup>2</sup> Measured at ≥50% load



## DIMENSIONS



Note: UL certification requires the power supply spacing to other power supplies, transformers, and ballasts shall be at least 1 inch (25.4 mm) from end to end and 4 inches (101.6 mm) from side to side.

## SHIPPING INFORMATION

Module Type	Specs	Packaging Quantity		Carton Weight	Box Dimensions			Carton Dimensions			
		Per Box	Per Carton		W	D	H	W	D	H	
PS24-SL-180W-120-277V	# of Units	1	10	22.99 lb 10.43 kg	3.07 78	10.63 270	2.68 68	11.26 286	15.98 406	7.20 183	inch mm



1. The maximum case temperature T<sub>c</sub> shall not exceed 167°F (75°C) when used in end product.
2. These products are intended to be connected to a max. 20 A branch circuit.
3. These products are intended for use in dry and damp locations.