



Features and Benefits:

- Very slim housing only 0.83" (21 mm) height and 1.57" (40 mm) width
- Best for mounting inside shallow signs down to 2" (50 mm) depth with no shadowing on the sign face
- Wide AC input voltage range 120-277V 50/60Hz
- IP67 rated, for use in dry and damp locations
- Compliant with FCC Title 47 CFR Part 15, ANSI C63.4:2009 Class B
- 5 Year Limited Warranty



12V DC



5 YEAR WARRANTY



IP67



RoHS

PRODUCT INFORMATION

Part Number	PS12-SL-35W-120-277V
Rated Input Voltage	120 -277V AC
Max. Input Voltage	108 -305V AC
Rated Input Frequency	50/60 Hz
AC Input Current	Max. 0.40A @ 120V AC Max. 0.19A @ 277V AC
Rated DC Output Voltage	12 V DC
DC Output Voltage Tolerance	-0% / +10%
Max. DC Output Power	35W DC
Max. DC Output Current	2.92A DC
Min. DC Load	10% (0.292A)
DC Output Classification	UL Class 2
Power Efficiency ¹	> 83% @ 120V AC > 85% @ 230V AC > 84% @ 277V AC
Typical Power Factor ¹	> 0.95 @ 120V AC, 230V AC > 0.90 @ 277V AC
Typical THD	< 20% @ 120-277V AC ²
Protection	open circuit, short circuit, overload, over temperature
Surge Immunity	AC L to N 2 kV, AC L to GND4 kV
IP Rating	IP67
Operating Ambient Temp.	-40° — +140° F (-40° — +60° C)
Maximum Case Temp. Tc	+185° F (+85° C)
Storage Temp.	-40° — +185° F (-40° — +85° C)
Lifetime	50,000 hours @ 50°C ambient, 100% load
Dimensions (L x W x H)	6.69" x 1.57" x 0.83" 170 mm x 40 mm x 21 mm
Net Weight	0.705 lb 0.32 kg

STANDARD COMPLIANCE

Safety	Safety Standards
UL / cUL	UL 879, UL 879A UL 8750, UL 1310 CLASS 2
Country	USA & Canada
	CSA-C22.2 No.107.1, CSA-C22.2 No.223-M91 CClass 2
EMI Standards	
FCC Part 15	ANSI C63.4:2009 Class B
EN 55015	CISPR15 -Limits and methods of measurement of radio disturbance characteristics of electrical lighting and similar equipment
EN 61000-4-4	Electrical Fast Transient / Burst (Level 3 2KV/5K Hz)
EN 61000-4-5	Surge Immunity Test: AC Power Line (L to N 2 kV, L to GND4 kV)
EN 61000-4-11	Immunity against mains dips / mains interruptions
IEC 62493	Assessment of lighting equipment related to human exposure to electromagnetic fields

¹ Measured at full load, 77° F (25° C) ambient temperature

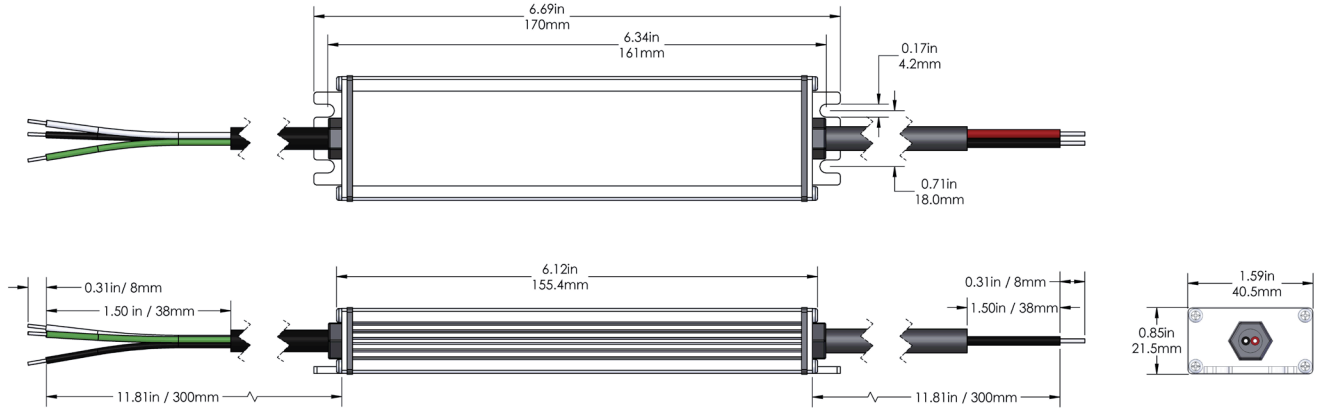
² Measured at ≥50% load

REV: 09SEP2020

Data sheet subject to change without notice.



DIMENSIONS



Note: UL certification requires the power supply spacing to other power supplies, transformers, and ballasts shall be at least 1 inch (25.4 mm) from end to end and 4 inches (101.6 mm) from side to side.

SHIPPING INFORMATION

Module Type	Specs	Packaging Quantity		Carton Weight	Box Dimensions			Carton Dimensions			
		Per Box	Per Carton		W	D	H	W	D	H	
PS12-SL-35W-120-277V	# of Units	1	10	8.14 lb 3.69 kg	2.01	7.87	1.89	8.50	10.67	5.79	inch
					51	200	48	216	271	147	mm



1. The maximum case temperature T_c shall not exceed 167°F (75°C) when used in end product.
2. These products are intended to be connected to a max. 20 A branch circuit.
3. These products are intended for use in dry and damp locations.