



Features and Benefits:

- Very slim housing only 0.83" (21 mm) height and 1.58" (40 mm) width
- Best for mounting inside shallow signs down to 2" (50 mm) depth with no shadowing on the sign face
- Wide AC input voltage range 120-277V 50/60Hz
- IP67 rated, for use in dry, damp and wet locations
- 5 Year Limited Warranty
- Complies with FCC Title 47 CFR Part 15, ANSI C63.4:2009 Class B



24V DC



5 YEAR WARRANTY

UL **IP67** **UL** **RoHS**

PRODUCT INFORMATION

Part Number	PS24-SL-96W-120-277V
Rated Input Voltage	120 -277V AC
Max. Input Voltage	108 -305V AC
Rated Input Frequency	50/60 Hz
AC Input Current	Max 1A @ 120-277V AC
Rated DC Output Voltage	24 V DC
DC Output Voltage Tolerance	-0% / +5%
Max. DC Output Power	96W DC
Max. DC Output Current	4A DC
DC Output Classification	UL Class 2
Power Efficiency ¹	>87% @120V AC >90% @ 230V AC >89% @277V AC
Typical Power Factor ¹	>0.95 @ 120-277V AC (full load) >0.80 @ 277V AC (half load)
Typical THD	< 20% @ 120-277V AC (full load)
Protection	open circuit, short circuit, overload
Surge Immunity	AC L to N 2kV, AC L to GND 4kV
IP Rating	IP67
Operating Ambient Temp.	-40° — +140° F (-40° — +60° C)
Maximum Case Temp. T _c	+185°F (+85°C)
Storage Temp.	-40° — +185° F (-40° — +85° C)
Lifetime	50,000 hours @ -40 — 50°C (-40 — 122°F)ambient, 100% load
Dimensions (L x W x H)	10.63" x 1.58" x 0.83" 270 mm x 40 mm x 21 mm
Net Weight	1.20 lb 0.54 kg

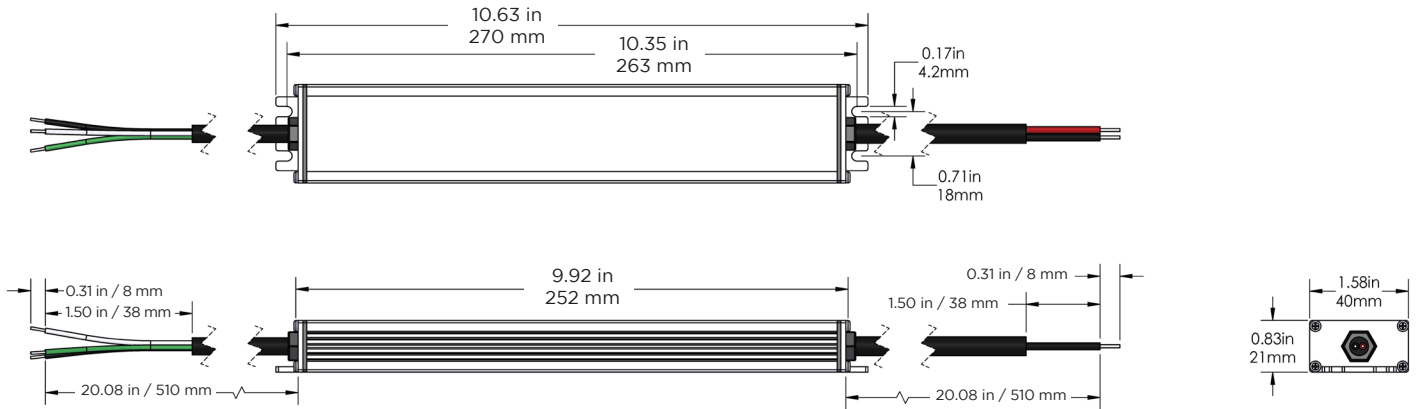
STANDARD COMPLIANCE

Safety	Safety Standards
UL / cUL	UL 8750, UL 879A, UL Class 2
Country	CSA certificate for Canada & USA
USA & Canada	
EMI Standards	
FCC Part 15	ANSI C63.4:2009 Class B
EN 61000-4-4	Electrical Fast Transient / Burst (Level 3 2kV)
EN 61000-4-5	Surge Immunity Test: AC Power Line (L to N 2 kV, L to GND 4kV)

¹ Measured at full load, 77° F (25° C) ambient temperature



DIMENSIONS



Note: UL certification requires the power supply spacing to other power supplies, transformers, and ballasts shall be at least 1 inch (25.4 mm) from end to end and 4 inches (101.6 mm) from side to side.

SHIPPING INFORMATION

Module Type	Specs	Packaging Quantity		Carton Weight	Box Dimensions			Carton Dimensions			
		Per Box	Per Carton		W	D	H	W	D	H	
PS24-SL-96W-120-277V	# of Units	1	10	13.8 lb 6.3 kg	3.0	12.5	2.0	13.0	15.5	5.3	inch
					76	318	51	330	394	135	mm



1. The maximum case temperature T_c shall not exceed 185°F (85°C) when used in end product.
2. This product is intended for use in dry, damp and wet locations