

B1 BENDABLE CHANNEL FIXTURE
CONFORM-A-BEND™ SERIES

B1 Bendable Channel Fixture is a slim, bendable channel that is ideal for curved walls and surfaces. This low-profile aluminum fixture allows you to bend or curve it to match the shape of the mounting surface. Pair with our RibbonLyte to create a custom bendable fixture. B1 Bendable Channel is also RoHS certified, has a beam angle of 120 degrees. Powder coating is available.

- Field assembly only
- Sold by the foot, customize and factory cut to the nearest inch
- Adds an element of style and design to existing spaces
- Surface Mounts
- Aluminum Channel
- End caps provide a finished fixture look
- Powder coating available - RAL# or color match
- Assembled in USA



HOUSING FINISHES



*Additional fee applies

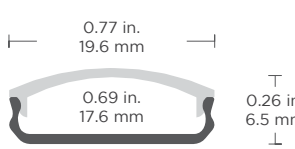
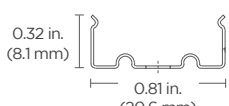
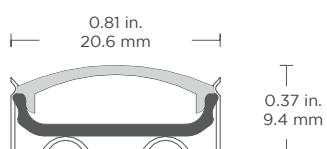
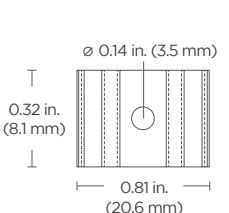
AVAILABLE LENS FINISHES



AVAILABLE COLORS & COLOR TEMPERATURES



DIMENSIONS

| B1 CHANNEL | With Mounting Clip (Included Accessory) |
|--|--|
|  <p>* Note: Its shallow depth causes diode visibility.</p> <p>Width: 0.77 in. (19.6 mm) Height: 0.26 in. (6.5 mm) Internal Width: 0.69 in. (17.6 mm)</p> | <p>Material: stainless steel</p> <p>Side Views</p>  <p>Assembled Views</p>  <p>Top View</p>  <p>Width: 0.32 in. (8.1 mm) Length: 0.81 in. (20.6 mm)</p> <p>Width: 0.81 in. (28 mm) Height: 0.37 in. (9.4 mm)</p> |

Note: Exterior channel applications should be securely attached to the mounting surface with appropriate screws and/or liquid nails. Acolyte strongly recommends field assembly for exterior applications. Use mounting clips for interior applications only.

Acolyte does not warrant or represent that the information is free from errors or omission. The information may change without notice and Acolyte is not in any way liable for the accuracy of any information printed and stored or in any way interpreted or used.

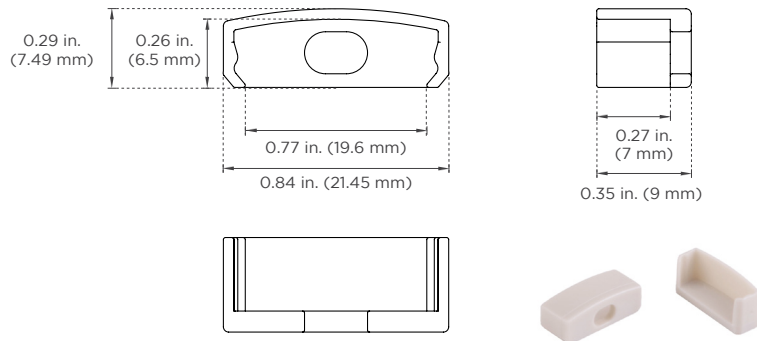
SPECIFICATIONS

| | |
|-------------------------------|---|
| Beam Angle | 120° |
| Lens Type | Clear Lens, Frosted Lens, Milky Lens |
| Length | Channel is sold by the foot and cut to your exact desired length. Required amount of mounting clips included. |
| Operating Voltage | 24 V |
| Dimming | MLV / 0-10 Volt / ELV / DALI / DMX / CASAMBI |
| Operating Temperature | -40 – 158 °F (-40 – 70 °C) |
| Colors | 1800K, 2000K, 2200K, 2400K, 2700K, 3000K, 3500K, 4000K, 6000K, Red, Amber, Green, Blue, Pixel RGB, RGBW, RGBWW, RGBA, VW, Warm Dim (1800K, 2000K, 2200K, Pixel RGB only available in IP20) |
| CRI | 90+ CRI (for Static White LEDs only) |
| Minimum Bending Radius | 5.9 in. (15 cm) |
| Lamp Life | L70 at 50,000 Hours |
| MacAdam ellipse (SDCM) | 1-Step Binning (for Static White LEDs only) |
| Certifications | UL Listed UL 2108 Issued: 2004/02/27 Ed: 1 Rev: 2014/02/24 Low Voltage Lighting Systems CSA C22.2#9.0 Issued: 1996/06/01 Ed: 1 (R2011) General Requirements for Luminaries; with Gen. Inst. 1: 1997, Gen Inst. 2: 1998. ROHS compliant. |

ACCESSORIES

End Cap

Material: ABS



ORDERING GUIDE

STEP 1 Complete Channel Part Number

| CHANNEL | LENS | HOUSING COLOR |
|----------------------------|--|--|
| CHB1 | | |
| CHB1 - B1 Bendable Channel | C - Clear Lens* F - Frosted Lens M - Milky Lens * Clear lens is the default option if not specified. | SV - Silver (default) BK - Black** WH - White** ** Additional fee applies Consult factory for custom colors |

STEP 2 Complete RibbonLyte Part Number

| CATEGORY | CRI | RIBBON TYPE & IP RATING | | |
|-----------------|---|--|--|--|
| RB | | | | |
| RB - RibbonLyte | 0 - Static Color, Color Changing 90 - 90+ CRI Static White | LINEA20 - Linea RibbonLyte IP20 SWS220 - Static White Series 2 IP20 SWS265 - Static White Series 2 IP65 SCS220 - Static Color Series 2 IP20 SCS265 - Static Color Series 2 IP65 XACTA20 - Xacta RibbonLyte IP20 | RGBWW20 - RGBWW 5-in-1 IP20 RGBWS220 - RGBW Series 2 IP20 RGBWS265 - RGBW Series 2 IP65 VWS220 - VW Series 2 IP20 VWS265 - VW Series 2 IP65 LINEA20 - Linea RibbonLyte IP20 | WD20 - Warm Dim IP20 WD65 - Warm Dim IP65 RGBADD - Pixel RGB IP20 |

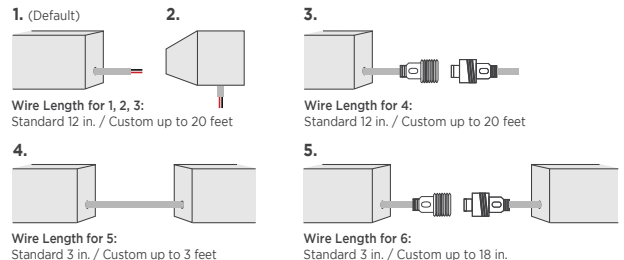
NOTE: To ensure waterproofing standards are met, IP65 RibbonLyte can NOT be cut in the field.

| WATTAGE | COLOR |
|---|--|
| 0.75 - 0.75 W/ft (2.46 W/m - Static White, Static Color) | 18 - 1800K RGB27 - Red, Green, Blue + 2700K 20 - 2000K RGB30 - Red, Green, Blue + 3000K 22 - 2200K RGB40 - Red, Green, Blue + 4000K 24 - 2400K RGB2465 - Red, Green, Blue + 2400K + 6500K 27 - 2700K RGBA - Red, Green, Blue + Amber 30 - 3000K RGBS - Pixel RGB (SPI) 35 - 3500K VW - Variable White 40 - 4000K 2920 - Warm Dim 2900K - 2000K (IP20) 60 - 6000K 2721 - Warm Dim 2700K - 2100K (IP65+IP68) R - Red Z - Undecided (For quotes only. Must be chosen before final order.) A - Amber G - Green B - Blue |
| 1.0 - 1.0 W/ft (3.3 W/m - Variable White) | |
| 1.5 - 1.5 W/ft (4.9 W/m - Static White, Static Color, Variable White) | |
| 2.2 - 2.2 W/ft (7.2 W/m - Static White, Static Color) | |
| 2.4 - 2.4 W/ft (8 W/m - Static White Linea) | |
| 3.0 - 3.0 W/ft (9.8 W/m - Static White, Static Color, Variable White) | |
| 4.3 - 4.3 W/ft (14 W/m - Static White Linea) | |
| 4.4 - 4.4 W/ft (14.4 W/m - Static White, Static Color, RGBW, RGBWW, RGBA) | |
| 4.5 - 4.5 W/ft (14.8 W/m - Static White, Variable White) | |
| 5.0 - 5.0 W/ft (16.4 W/m - Static White, Static Color) | |
| 5.2 - 5.2 W/ft (17.1 W/m - Warm Dim) | |
| 5.5 - 5.5 W/ft (18.0 W/m - RGBW, RGBA) | |
| 6.0 - 6.0 W/ft (19.7 W/m - Static White, Static Color, Variable White) | |
| 6.1 - 6.1 W/ft (20 W/m - Variable White Linea, Pixel RGB) | |
| 8.8 - 8.8 W/ft (28.9 W/m - RGBW, RGBWW) | |

CONNECTION OPTIONS (See diagrams on the right)

- | | |
|-------------------------------------|------------------------------------|
| 1 - End Feed Bare Wire Connection | 4 - Soldered Daisy Chain |
| 2 - Back Feed Bare Wire Connection | 5 - Daisy Chain With IP67 Couplers |
| 3 - End Feed with IP67 Male Coupler | |

Custom Length (ft.)



RIBBONLYTE SPECIFICATIONS & COMPATIBILITY

| Available Wattages | Incremental Length | LED Pitch | CCT | Delivered Lumens with Clear Lens | | Delivered Lumens with Frosted Lens | | Delivered Lumens with Milky Lens | | Max Length | Compatible with Channel | | | |
|----------------------------|--------------------|-------------------------|-------|----------------------------------|--------|------------------------------------|--------|----------------------------------|--------|--|-------------------------|------|------|------|
| | | | | lm/ft | lm/m | lm/ft | lm/m | lm/ft | lm/m | | IP20 | IP65 | IP68 | IP69 |
| 0.75 Static White Series 2 | 1.97 in. (50 mm) | 48 LEDs/ft (160 LEDs/m) | 1800K | 58 | 190.3 | 53.6 | 175.8 | 44.1 | 144.6 | IP20: 49 ft (15 m) IP65: 32.8 ft (10 m) | ✓ | ✓ | | |
| | | | 2000K | 68.3 | 224 | 63.1 | 207 | 52 | 170.6 | | | | | |
| | | | 2200K | 75.2 | 246.7 | 69.5 | 228 | 57.2 | 187.6 | | | | | |
| | | | 2400K | 78 | 255.8 | 72 | 236.2 | 59.3 | 194.5 | | | | | |
| | | | 2700K | 84.9 | 278.5 | 78.4 | 257.2 | 64.6 | 211.9 | | | | | |
| | | | 3000K | 84.9 | 278.5 | 78.4 | 257.2 | 64.6 | 211.9 | | | | | |
| | | | 3500K | 89.7 | 294.2 | 82.9 | 272 | 68.3 | 224 | | | | | |
| | | | 4000K | 92.5 | 303.4 | 85.4 | 280.1 | 70.4 | 230.9 | | | | | |
| | | | 6000K | 90.4 | 296.5 | 83.5 | 273.9 | 68.8 | 225.7 | | | | | |
| 1.5 Static White Series 2 | 1.97 in. (50 mm) | 48 LEDs/ft (160 LEDs/m) | 1800K | 115.9 | 380.2 | 107.1 | 351.3 | 88.2 | 289.3 | IP20: 49 ft (15 m) IP65: 32.8 ft (10 m) | ✓ | ✓ | | |
| | | | 2000K | 135.2 | 443.5 | 125 | 410 | 102.9 | 337.5 | | | | | |
| | | | 2200K | 150.4 | 493.3 | 139 | 455.9 | 114.5 | 375.6 | | | | | |
| | | | 2400K | 155.9 | 511.4 | 144.1 | 472.6 | 118.7 | 389.3 | | | | | |
| | | | 2700K | 169.7 | 556.6 | 156.8 | 514.3 | 129.2 | 423.8 | | | | | |
| | | | 3000K | 169.7 | 556.6 | 156.8 | 514.3 | 129.2 | 423.8 | | | | | |
| | | | 3500K | 178 | 583.8 | 164.5 | 539.6 | 135.5 | 444.4 | | | | | |
| | | | 4000K | 184.9 | 606.5 | 170.9 | 560.6 | 140.7 | 461.5 | | | | | |
| | | | 6000K | 180.8 | 593 | 167 | 547.8 | 137.6 | 451.3 | | | | | |
| 2.2 Static White Series 2 | 1.97 in. (50 mm) | 48 LEDs/ft (160 LEDs/m) | 1800K | 168 | 51 | 155.2 | 509.1 | 127.8 | 419.2 | IP20: 42 ft (12.8 m) IP65: 32.8 ft (10 m) | ✓ | ✓ | | |
| | | | 2000K | 194.3 | 637.3 | 179.5 | 588.8 | 147.8 | 484.8 | | | | | |
| | | | 2200K | 214.5 | 703.6 | 198.2 | 650.1 | 163.2 | 535.3 | | | | | |
| | | | 2400K | 224.7 | 737 | 207.6 | 680.9 | 170.9 | 560.6 | | | | | |
| | | | 2700K | 242.9 | 796.7 | 224.4 | 736 | 184.8 | 606.1 | | | | | |
| | | | 3000K | 246.9 | 809.8 | 228.1 | 748.2 | 187.9 | 616.3 | | | | | |
| | | | 3500K | 257 | 843 | 237.5 | 779 | 195.6 | 641.6 | | | | | |
| | | | 4000K | 269.2 | 883 | 248.7 | 779 | 204.8 | 671.7 | | | | | |
| | | | 6000K | 259.1 | 849.8 | 239.4 | 785.2 | 197.1 | 646.5 | | | | | |
| 3.0 Static White Series 2 | 1.97 in. (50 mm) | 48 LEDs/ft (160 LEDs/m) | 1800K | 231.8 | 760.4 | 214.2 | 702.6 | 176.4 | 578.6 | IP20: 36 ft (11 m) IP65: 32.8 ft (10 m) | ✓ | ✓ | | |
| | | | 2000K | 270.5 | 887.2 | 249.9 | 819.7 | 205.8 | 675 | | | | | |
| | | | 2200K | 298.1 | 977.7 | 275.4 | 903.3 | 226.8 | 743.9 | | | | | |
| | | | 2400K | 303.1 | 994.1 | 280.1 | 918.6 | 230.6 | 756.5 | | | | | |
| | | | 2700K | 339.6 | 1114 | 313.5 | 1028.1 | 258.1 | 846.7 | | | | | |
| | | | 3000K | 359.1 | 1177.9 | 331.4 | 1087.1 | 273 | 895.3 | | | | | |
| | | | 3500K | 367.5 | 1205.3 | 339.2 | 1112.4 | 279.3 | 916.1 | | | | | |
| | | | 4000K | 367.5 | 1205.3 | 339.2 | 1112.4 | 279.3 | 916.1 | | | | | |
| | | | 6000K | 350.8 | 1150.5 | 323.7 | 1061.8 | 266.6 | 874.5 | | | | | |
| 4.4 Static White Series 2 | 1.97 in. (50 mm) | 48 LEDs/ft (160 LEDs/m) | 1800K | 327.9 | 1075.5 | 302.9 | 993.6 | 249.5 | 818.3 | 28 ft 4 in. (8.64 m) | ✓ | ✓ | | |
| | | | 2000K | 384.6 | 1261.4 | 355.3 | 1165.4 | 292.6 | 959.7 | | | | | |
| | | | 2200K | 425 | 1394.1 | 392.7 | 1288.1 | 323.4 | 1060.8 | | | | | |
| | | | 2400K | 441.2 | 1447 | 407.7 | 1337.1 | 335.7 | 1101.2 | | | | | |
| | | | 2700K | 494.4 | 1621.6 | 456.3 | 1496.6 | 375.8 | 1232.5 | | | | | |
| | | | 3000K | 522.8 | 1714.7 | 482.5 | 1582.5 | 397.3 | 1303.2 | | | | | |
| | | | 3500K | 534.9 | 1754.5 | 493.7 | 1619.3 | 406.6 | 1333.5 | | | | | |
| | | | 4000K | 534.9 | 1754.5 | 493.7 | 1619.3 | 406.6 | 1333.5 | | | | | |
| | | | 6000K | 510.6 | 1674.8 | 471.2 | 1545.7 | 388.1 | 1272.9 | | | | | |
| 5.0 Static White Series 2 | 1.4 in. (35.7 mm) | 68 LEDs/ft (224 LEDs/m) | 1800K | 381.8 | 1252.3 | 352.8 | 1157 | 290.5 | 952.8 | IP20: 33 ft 4 in. (10.1 m) IP65: 32.8 ft (10 m) | ✓ | ✓ | | |
| | | | 2000K | 450.8 | 1478.6 | 416.5 | 1366.1 | 343 | 1125 | | | | | |
| | | | 2200K | 492.2 | 1614.4 | 454.8 | 1491.6 | 374.5 | 1228.4 | | | | | |
| | | | 2400K | 505.1 | 1656.8 | 466.8 | 1531 | 384.4 | 1260.8 | | | | | |
| | | | 2700K | 566.1 | 1856.7 | 522.4 | 1713.6 | 430.2 | 1411.2 | | | | | |
| | | | 3000K | 598.5 | 1963.2 | 552.4 | 1811.9 | 454.9 | 1492.1 | | | | | |
| | | | 3500K | 612.5 | 2008.9 | 565.3 | 1854 | 465.5 | 1526.8 | | | | | |
| | | | 4000K | 612.5 | 2008.9 | 565.3 | 1854 | 465.5 | 1526.8 | | | | | |
| | | | 6000K | 584.6 | 1917.6 | 539.6 | 1769.7 | 444.3 | 1457.4 | | | | | |
| 6.0 Static White Series 2 | 1.4 in. (35.7 mm) | 68 LEDs/ft (224 LEDs/m) | 1800K | 452.6 | 1484.7 | 418.2 | 1371.7 | 344.4 | 1129.6 | 28 ft (8.5 m) | ✓ | ✓ | | |
| | | | 2000K | 524.4 | 1720 | 484.5 | 1589.2 | 399.0 | 1308.7 | | | | | |
| | | | 2200K | 585.1 | 1919.2 | 540.6 | 1773.2 | 445.2 | 1460.3 | | | | | |
| | | | 2400K | 601.6 | 1973.2 | 555.9 | 1823.4 | 457.8 | 1501.6 | | | | | |
| | | | 2700K | 674.2 | 2211.3 | 622.2 | 2040.8 | 512.4 | 1680.7 | | | | | |
| | | | 3000K | 712.9 | 2338.2 | 657.9 | 2157.9 | 541.8 | 1777.1 | | | | | |
| | | | 3500K | 729.4 | 2392.5 | 673.2 | 2208.1 | 554.4 | 1818.4 | | | | | |
| | | | 4000K | 729.4 | 2392.5 | 673.2 | 2208.1 | 554.4 | 1818.4 | | | | | |
| | | | 6000K | 696.3 | 2283.8 | 642.6 | 2107.7 | 529.2 | 1735.8 | | | | | |

RIBBONLYTE SPECIFICATIONS & COMPATIBILITY

| Available Wattages | Incremental Length | LED Pitch | Color & CCT. | Delivered Lumens with Clear Lens | | Delivered Lumens with Frosted Lens | | Delivered Lumens with Milky Lens | | Max Length | Compatible with Channel | | | |
|----------------------------|---------------------|--------------------------|---------------|----------------------------------|--------|------------------------------------|--------|----------------------------------|---------|--|-------------------------|------|------|------|
| | | | | lm/ft | lm/m | lm/ft | lm/m | lm/ft | lm/m | | IP20 | IP65 | IP68 | IP69 |
| 0.75 Static Color Series 2 | 1.97 in. (50 mm) | 48 LEDs/ft (160 LEDs/m) | Red | 28 | 93 | 26 | 86 | 22 | 70.6 | IP20: 49 ft (15 m) IP65: 32.8 ft (10 m) | ✓ | ✓ | | |
| | | | Green | 121 | 396 | 112 | 366 | 92 | 301.4 | | | | | |
| | | | Blue | 13 | 43 | 12 | 40 | 10 | 32.7 | | | | | |
| | | | Amber | 23 | 77 | 22 | 71 | 18 | 58.6 | | | | | |
| 1.5 Static Color Series 2 | 1.97 in. (50 mm) | 48 LEDs/ft (160 LEDs/m) | Red | 58 | 190 | 54 | 176 | 44 | 144.7 | IP20: 49 ft (15 m) IP65: 32.8 ft (10 m) | ✓ | ✓ | | |
| | | | Green | 221 | 724 | 204 | 669 | 168 | 551.1 | | | | | |
| | | | Blue | 25 | 81 | 23 | 75 | 19 | 62 | | | | | |
| | | | Amber | 47 | 154 | 43 | 142 | 36 | 117.1 | | | | | |
| 2.2 Static Color Series 2 | 1.97 in. (50 mm) | 48 LEDs/ft (160 LEDs/m) | Red | 85 | 279 | 79 | 258 | 65 | 212.2 | IP20: 42 ft (12.8 m) IP65: 32.8 ft (10 m) | ✓ | ✓ | | |
| | | | Green | 293 | 963 | 271 | 889 | 223 | 732.4 | | | | | |
| | | | Blue | 36 | 119 | 34 | 110 | 28 | 90.9 | | | | | |
| | | | Amber | 67 | 219 | 62 | 202 | 51 | 166.7 | | | | | |
| 3.0 Static Color Series 2 | 1.97 in. (50 mm) | 48 LEDs/ft (160 LEDs/m) | Red | 110.4 | 362.1 | 102 | 334.6 | 84 | 275.52 | 32.8 ft (10 m) | ✓ | ✓ | | |
| | | | Green | 350.9 | 1151 | 323.9 | 1062.2 | 266.7 | 874.78 | | | | | |
| | | | Blue | 69.1 | 226.6 | 63.8 | 209.1 | 52.5 | 172.2 | | | | | |
| | | | Amber | 80.1 | 262.8 | 74 | 242.6 | 60.9 | 199.75 | | | | | |
| 4.4 Static Color Series 2 | 1.97 in. (50 mm) | 48 LEDs/ft (160 LEDs/m) | Red | 153.8 | 504.5 | 142.1 | 466.2 | 117 | 383.89 | 29 ft (8.8 m) | ✓ | ✓ | | |
| | | | Green | 474.1 | 1555.1 | 437.6 | 1435.3 | 360.4 | 1181.98 | | | | | |
| | | | Blue | 97.3 | 319 | 89.8 | 294.4 | 73.9 | 242.46 | | | | | |
| | | | Amber | 101.3 | 332.2 | 93.5 | 306.7 | 77 | 252.56 | | | | | |
| 5.0 Static Color Series 2 | 1.4 in. (35.7 mm) | 68 LEDs/ft (224 LEDs/m) | Red | 170.2 | 558.2 | 157.3 | 515.8 | 129.5 | 424.76 | 30 ft (9.14 m) | ✓ | ✓ | | |
| | | | Green | 534.2 | 1752.1 | 493 | 1617 | 406 | 1331.68 | | | | | |
| | | | Blue | 110.5 | 362.5 | 102 | 334.6 | 84 | 275.52 | | | | | |
| | | | Amber | 119.7 | 392.7 | 110.5 | 362.4 | 91 | 298.48 | | | | | |
| 6.0 Static Color Series 2 | 1.4 in. (35.7 mm) | 68 LEDs/ft (224 LEDs/m) | Red | 204.2 | 669.8 | 188.7 | 618.9 | 155.4 | 509.71 | 28 ft (8.5 m) | ✓ | ✓ | | |
| | | | Green | 624.4 | 2048.2 | 576.3 | 1890.3 | 474.6 | 1556.6 | | | | | |
| | | | Blue | 127.1 | 416.9 | 117.3 | 384.8 | 96.6 | 316.9 | | | | | |
| | | | Amber | 132.6 | 435 | 122.4 | 401.6 | 100.8 | 330.7 | | | | | |
| 2.4 Static White Linea | 1.97 in. (50 mm) | 146 LEDs/ft (480 LEDs/m) | 2700K | 148.1 | 485.8 | 136.9 | 448.8 | 112.7 | 369.6 | 21.3 ft (6.5 m) | ✓ | n/a | n/a | n/a |
| | | | 3000K | 156.4 | 514.3 | 144.5 | 475.2 | 119 | 391.3 | | | | | |
| | | | 3500K | 183.1 | 601.7 | 169.2 | 555.9 | 139.3 | 457.8 | | | | | |
| | | | 4000K | 183.1 | 601.7 | 169.2 | 555.9 | 139.3 | 457.8 | | | | | |
| 3.0 Static White Linea | 1.97 in. (50 mm) | 146 LEDs/ft (480 LEDs/m) | 2700K | 182.2 | 598 | 168.3 | 552.5 | 138.6 | 455 | 21.3 ft (6.5 m) | ✓ | n/a | n/a | n/a |
| | | | 3000K | 201.5 | 661.5 | 186.2 | 611.2 | 153.3 | 503.3 | | | | | |
| | | | 3500K | 215.3 | 706.6 | 198.9 | 652.8 | 163.8 | 537.6 | | | | | |
| | | | 4000K | 229.1 | 751.6 | 211.7 | 694.5 | 174.3 | 571.9 | | | | | |
| 4.3 Static White Linea | 1.97 in. (50 mm) | 146 LEDs/ft (480 LEDs/m) | 2700K | 297.2 | 973.4 | 274.6 | 899.3 | 226.1 | 740.6 | 24.6 ft (7.5 m) | ✓ | n/a | n/a | n/a |
| | | | 3000K | 308.2 | 1012 | 284.8 | 935 | 234.5 | 770 | | | | | |
| | | | 3500K | 340.4 | 1116.9 | 314.5 | 1031.9 | 259 | 849.8 | | | | | |
| | | | 4000K | 340.4 | 1116.9 | 314.5 | 1031.9 | 259 | 849.8 | | | | | |
| 6.1 Variable White Linea | 1.09 in. (27.78 mm) | 175 LEDs/ft (576 LEDs/m) | 2700K + 6500K | 533.6 | 1750.8 | 493 | 1617.6 | 406 | 1332.1 | 16.4 ft (5 m) | ✓ | n/a | n/a | n/a |

RIBBONLYTE SPECIFICATIONS & COMPATIBILITY

| Available Wattages | Incremental Length | LED Pitch | Color & CCT | Delivered Lumens with Clear Lens | | Delivered Lumens with Frosted Lens | | Delivered Lumens with Milky Lens | | Max Length | Compatible with Channel | | | |
|-----------------------------|--------------------|--------------------------|--------------------------|----------------------------------|--------------------------|------------------------------------|--------|----------------------------------|--------|---|-------------------------|-------|------------------|------|
| | | | | lm/ft | lm/m | lm/ft | lm/m | lm/ft | lm/m | | IP20 | IP65 | IP68 | IP69 |
| 1.5 Static White Xacta | 0.2 in. (5 mm) | 61 LEDs/ft (200 LEDs/m) | 1800K | 110.2 | 361.6 | 101.8 | 334.1 | 83.9 | 275.1 | 32.74 ft (9.98 m) | ✓ | n/a | n/a | n/a |
| | | | 2000K | 130.1 | 426.8 | 120.2 | 394.3 | 99 | 324.7 | | | | | |
| | | | 2200K | 142.7 | 468.3 | 131.9 | 432.6 | 108.6 | 356.3 | | | | | |
| | | | 2400K | 148.2 | 486.1 | 136.9 | 449.1 | 112.7 | 369.8 | | | | | |
| | | | 2700K | 168 | 551.3 | 155.3 | 509.3 | 127.9 | 419.4 | | | | | |
| | | | 3000K | 175.3 | 575 | 161.9 | 531.2 | 133.4 | 437.5 | | | | | |
| | | | 3500K | 180.7 | 592.8 | 166.9 | 547.7 | 137.5 | 451 | | | | | |
| | | | 4000K | 177.1 | 580.9 | 163.6 | 536.7 | 134.7 | 442 | | | | | |
| | | | 6000K | 173.5 | 569 | 160.3 | 525.7 | 132 | 433 | | | | | |
| | | | 3.0 Static White Xacta | 0.2 in. (5 mm) | 61 LEDs/ft (200 LEDs/m) | 1800K | 196.3 | 643.9 | 181.3 | | | | | |
| 2000K | 231.6 | 760 | | | | 214 | 702.2 | 176.2 | 578.3 | | | | | |
| 2200K | 254.2 | 833.9 | | | | 234.8 | 770.5 | 193.4 | 634.5 | | | | | |
| 2400K | 263.8 | 865.6 | | | | 243.7 | 799.7 | 200.7 | 658.6 | | | | | |
| 2700K | 299.2 | 981.7 | | | | 276.4 | 907 | 227.7 | 747 | | | | | |
| 3000K | 312.1 | 1023.9 | | | | 288.3 | 946 | 237.4 | 779.1 | | | | | |
| 3500K | 321.7 | 1055.6 | | | | 297.2 | 975.3 | 244.8 | 803.2 | | | | | |
| 4000K | 315.3 | 1034.5 | | | | 291.3 | 955.8 | 239.9 | 787.1 | | | | | |
| 6000K | 308.9 | 1013.4 | | | | 285.4 | 936.3 | 235 | 771.1 | | | | | |
| 4.5 Static White Xacta | 0.2 in. (5 mm) | 61 LEDs/ft (200 LEDs/m) | | | | 1800K | 299.6 | 983 | 276.8 | 908.2 | 228 | 747.9 | 19.03 ft (5.8 m) | ✓ |
| | | | 2000K | 353.7 | 1160.3 | 326.7 | 1072 | 269.1 | 882.8 | | | | | |
| | | | 2200K | 388 | 1273.1 | 358.5 | 1176.2 | 295.2 | 968.6 | | | | | |
| | | | 2400K | 402.8 | 1321.4 | 372.1 | 1220.9 | 306.5 | 1005.4 | | | | | |
| | | | 2700K | 456.8 | 1498.7 | 422 | 1384.6 | 347.6 | 1140.3 | | | | | |
| | | | 3000K | 476.5 | 1563.1 | 440.2 | 1444.2 | 362.5 | 1189.3 | | | | | |
| | | | 3500K | 491.2 | 1611.5 | 453.8 | 1488.9 | 373.7 | 1226.1 | | | | | |
| | | | 4000K | 481.4 | 1579.2 | 444.7 | 1459.1 | 366.3 | 1201.6 | | | | | |
| | | | 6000K | 471.5 | 1547 | 435.7 | 1429.3 | 358.8 | 1177.1 | | | | | |
| | | | Variable White Xacta 1.5 | 0.2 in. (5 mm) | 122 LEDs/ft (400 LEDs/m) | 2400K + 6000K | 189.1 | 620.4 | 174.7 | 573.2 | 143.9 | 472 | | |
| Variable White Xacta 3.0 | 0.2 in. (5 mm) | 122 LEDs/ft (400 LEDs/m) | 2400K + 6000K | 371.1 | 1217.7 | 342.9 | 1125.1 | 282.4 | 926.5 | 22.31 ft (6.8 m) | ✓ | n/a | n/a | n/a |
| Variable White Xacta 4.5 | 0.2 in. (5 mm) | 122 LEDs/ft (400 LEDs/m) | 2400K + 6000K | 524.2 | 1719.8 | 484.3 | 1588.9 | 398.9 | 1308.5 | 19.03 ft (5.8 m) | ✓ | n/a | n/a | n/a |
| Variable White Series 2 1.0 | 1.97 in. (50 mm) | 42 LEDs/ft (140 LEDs/m) | 2000K + 6500K | 78.2 | 257 | 72.3 | 237 | 60 | 200 | 32.8 ft (10 m) | ✓ | ✓ | | |
| Variable White Series 2 3.0 | 1.97 in. (50 mm) | 42 LEDs/ft (140 LEDs/m) | 2000K + 6500K | 220.8 | 725 | 205 | 670 | 168 | 551.2 | 32.8 ft (10 m) | ✓ | ✓ | | |
| Variable White Series 2 6.0 | 1.97 in. (50 mm) | 42 LEDs/ft (140 LEDs/m) | 2000K + 6500K | 415 | 1362 | 382.5 | 1255 | 315 | 1033.5 | 19 ft 8 in. (6 m) | ✓ | ✓ | | |
| RGBW Series 2 4.4 | 1.97 in. (50 mm) | 36 LEDs/ft (120 LEDs/m) | RGBW | 188.1 | 617.2 | 168.3 | 552.2 | 148.5 | 487.2 | 19 ft 8 in. (6 m) IP65: 16 ft 4 in. (5 m) IP68: 19 ft 7.9 in. (6 m) | ✓ | n/a | n/a | n/a |
| RGBW Series 2 5.5 | 1.97 in. (50 mm) | 36 LEDs/ft (120 LEDs/m) | RGBW | 308.8 | 1013 | 275.8 | 904.9 | 243.3 | 798.5 | 16 ft 4 in. (5 m) | n/a | ✓ | | |
| RGBW Series 2 8.8 | 1.97 in. (50 mm) | 36 LEDs/ft (120 LEDs/m) | RGBW | 510.2 | 1673.8 | 456.3 | 1497.1 | 402.6 | 1320.9 | 16 ft 4 in. (5 m) | ✓ | n/a | n/a | n/a |
| 5-in-1 RGBWW 4.4 | 2.46 in. (62.5 mm) | 29 LED/ft (96 LED/m) | RGBWW | 241.4 | 792.1 | 220.7 | 724 | 194.7 | 638.8 | 16 ft 4 in (5 m) | ✓ | n/a | n/a | n/a |
| 5-in-1 RGBWW 8.8 | 2.46 in. (62.5 mm) | 29 LED/ft (96 LED/m) | RGBWW | 409.2 | 1342.6 | 374 | 1227.1 | 330 | 1082.7 | 11 ft 6 in (3.5 m) | ✓ | n/a | n/a | n/a |
| Pixel RGB 6.1 | 3.94 in. (100 mm) | 18 LEDs/ft (60 LEDs/m) | RGB (all on) | 114.54 | 375.36 | 105.83 | 346.8 | 87.15 | 285.6 | 24 ft 7.2 in. (7.5 m) | ✓ | n/a | n/a | n/a |
| Warm Dim 5.2 | 3.94 in. (100 mm) | 36 LEDs/ft (120 LEDs/m) | WARM DIM | 263.1 | 863 | 244.8 | 803.25 | 201.6 | 661.5 | 16 ft 4 in. (5 m) | ✓ | ✓ | | |

DIODE VISIBILITY CHART (Data below applies to installations with Milky lens only)

|  No Visible Diode = N Note: Linea RibbonLyte has no visible diode | | | |  With Visible Diode = Y | | | | | | |
|---|--|---------------------------------|------|--|---------------------|------------------|-------------------------|--|-----------------|--|
| Static White & Static Color Series 2 0.75/1.5/2.2/3.0/4.4/5.0/6.0 | Static White & Static Color Xacta 1.5/3.0/4.5 | RGBW & RGBA Series 2 4.4/8.8 | 5.5 | 5-in-1 RGBWW 4.4 | 5-in-1 RGBWW 8.8 | Pixel RGB 6.1 | RGBW Addressable 6.0 | Variable White Series 2 1.0/3.0/6.0 | Warm Dim 5.2 | |
| IP20/IP65 | IP20 | IP20 | IP65 | IP20 | IP20 | IP20 | IP67 | IP20/IP65 | IP20/IP65 | |
| Y | Y | Y | Y | Y | Y | Y | Y | Y | Y | |

AVAILABLE DRIVERS / CONTROLLERS AND DIMMING OPTIONS / WIRE GAUGE CHART

| 0-10V/ELV/MLV 3-IN-1 | ELV | 0-10V VW/WD | COMPACT |
|--|---|--|---|
| | | | |
| <p>60W, 96W, 288W 0-10V/ELV/MLV 3-in-1 Dimmable Drivers</p> <p>Part No.:</p> <ul style="list-style-type: none"> • DRVW2460TRI010 (60 W) • DRVW2496TRI010 (96 W) • DRVW24288TRI010 (288 W) <p>24 VDC 120-277 VAC IP65, dry/damp/wet locations UL Listed</p> | <p>60W Dimmable Driver</p> <p>Part No.:</p> <ul style="list-style-type: none"> • DRVW2460ELV <p>24 VDC 100-130 VAC Fits in single-gang switch boxes IP20, dry locations UL Recognized</p> | <p>0-10V Dimmable 90W VW/WD Driver</p> <p>Part No.:</p> <ul style="list-style-type: none"> • DRVRFWDVW2490120 <p>24 VDC 100-277 VAC IP23, dry/damp locations UL Listed</p> | <p>60W, 96W Non-Dimming Compact Drivers</p> <p>Part No.:</p> <ul style="list-style-type: none"> • DRV2460C (60 W) • DRV2496C (96 W) <p>24 VDC 120-277 VAC IP20, dry locations UL Class P</p> |

| ATHENA WIRELESS COMPATIBLE | CASAMBI COMPATIBLE DRIVERS | DIMMABLE DALI-2 DRIVERS | DIMMABLE DALI-2 DRIVERS |
|--|---|--|---|
| | | | |
| <p>94W Athena Wireless Compatible Drivers</p> <p>Part No.:</p> <ul style="list-style-type: none"> • DRVW2494ATH1CH (1 channel) • DRVW2494ATH2CH (2 channel) <p>24 VDC 100-277 VAC Dry locations UL Listed</p> | <p>100W & 200W Casambi Compatible 4 Channel Drivers</p> <p>Part No.:</p> <ul style="list-style-type: none"> • DRVW24100CAS4CH (100 W) • DRVW24200CAS4CH (200 W) <p>24 VDC 100-277 VAC IP66, dry/damp/wet locations UL Listed, CE, RoHS, Bluetooth, CASAMBI</p> | <p>96W DIMMABLE DALI-2 DT6 D4I & DALI-2 DT8 D4I DRIVERS</p> <p>Part No.:</p> <ul style="list-style-type: none"> • DRVW2496DALI1CH (1 channel) • DRVW2496DALI2CH (2 channel) <p>24-26 VDC 120-277 VAC IP67, dry/damp/wet locations UL Listed</p> | <p>75W, 150W, 240W DALI-2 Dimmable Drivers</p> <p>Part No.:</p> <ul style="list-style-type: none"> • DRVW2475DALI1CH (75 W, 1 channel) • DRVW24150DALI1CH (150 W, 1 channel) • DRVW24240DALI1CH (240 W, 1 channel) • DRV24150DALI2CH (150 W, 2 channels) • DRV24150DALI4CH (150 W, 4 channels) <p>24 VDC 120-277 VAC IP67, damp/wet locations (1-channel drivers only) IP20, dry location (2-channel & 4-channel drivers only) CE, RoHS, SELV</p> |

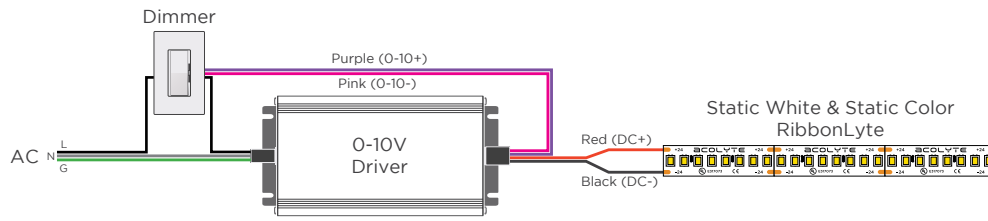
DMX CONTROLLERS, VARIABLE WHITE DIMMER, WARM DIM DIMMER - FOR COLOR CHANGING FIXTURES

| | | | | |
|---|---|---|---|--|
| | | | | |
| <p>GLASS TOUCH WALL CONTROLLERS</p> <p>Part No.:</p> <ul style="list-style-type: none"> • AWCRGBWBK • AWCVWBK | <p>1 ZONE WALL CONTROLLER</p> <p>Part No.: DMXCTRLG</p> | <p>5 ZONE WALL CONTROLLER</p> <p>Part No.: DMXCTRL</p> | <p>10 ZONE WALL CONTROLLER</p> <p>Part No.: DMXCTRLD</p> | <p>6 UNIVERSE DMX CONTROLLER</p> <p>Part No.: DMXCTRLDR6U</p> |
| | | | | |
| <p>VARIABLE WHITE DIMMER</p> <p>Part No.:</p> <ul style="list-style-type: none"> • RFDIMVWWH (White) • RFDIMVWBK (Black) | <p>WARM DIM DIMMER</p> <p>Part No.:</p> <ul style="list-style-type: none"> • RFDIMWDWH (White) • RFDIMWDBK (Black) | <p>4 CHANNEL WATERPROOF DMX INTERFACE</p> <p>Part No.: DMXINFWLCD4</p> | <p>5 CHANNEL DMX DECODER</p> <p>Part No.: DMXINF5</p> | <p>DMX OPTO SPLITTER</p> <p>Part No.: DMXOS8</p> |

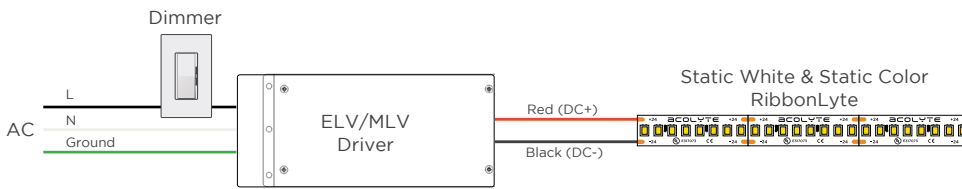
| Wattages | 30 | | 60 | | 96 | | 150 | | 200 | | 240 | | 300 | | 320 | |
|-------------------------------|------------|--------|--------|--------|--------|-------|--------|-------|--------|-------|--------|-------|--------|-------|--------|-------|
| | Wire Gauge | Feet | Meters | Feet | Meters | Feet | Meters | Feet | Meters | Feet | Meters | Feet | Meters | Feet | Meters | Feet |
| 24 AWG / 0.25 mm ² | 14 | 4.27 | 9 | 2.74 | 5.5 | 1.68 | 3.75 | 1.14 | 2.75 | 0.84 | 2.25 | 0.69 | 1.75 | 0.53 | 1.75 | 0.53 |
| 22 AWG / 0.34 mm ² | 22 | 6.71 | 14 | 4.27 | 9 | 2.74 | 5.75 | 1.75 | 4.5 | 1.37 | 3.5 | 1.07 | 2.75 | 0.84 | 2.75 | 0.84 |
| 20 AWG / 0.5 mm ² | 35 | 10.67 | 23 | 7.01 | 14 | 4.27 | 9 | 2.74 | 7 | 2.13 | 5.75 | 1.75 | 4.5 | 1.37 | 4.25 | 1.30 |
| 18 AWG / 0.75 mm ² | 56 | 17.07 | 37 | 11.28 | 23 | 7.01 | 15 | 4.57 | 11 | 3.35 | 9 | 2.74 | 7.5 | 2.29 | 7 | 2.13 |
| 16 AWG / 1.5 mm ² | 90 | 27.44 | 60 | 18.29 | 37 | 11.28 | 24 | 7.32 | 18 | 5.49 | 15 | 4.57 | 12 | 3.66 | 11 | 3.35 |
| 14 AWG / 2.5 mm ² | 142 | 43.29 | 95 | 28.96 | 59 | 17.99 | 38 | 11.59 | 28 | 8.54 | 23 | 7.01 | 19 | 5.79 | 17 | 5.18 |
| 12 AWG / 4 mm ² | 226 | 68.90 | 151 | 46.04 | 94 | 28.66 | 60 | 18.29 | 45 | 13.72 | 37 | 11.28 | 30 | 9.15 | 28 | 8.54 |
| 10 AWG / 6 mm ² | 360 | 109.76 | 240 | 73.17 | 150 | 45.73 | 96 | 29.27 | 72 | 21.95 | 60 | 18.29 | 48 | 14.63 | 45 | 13.72 |
| 8 AWG / 10 mm ² | 574 | 175.00 | 381 | 116.16 | 239 | 72.87 | 153 | 46.65 | 115 | 35.06 | 95 | 28.96 | 76 | 23.17 | 71 | 21.65 |

WIRING DIAGRAMS - STATIC WHITE / STATIC COLOR / RGBW / RGBA / RGBWW

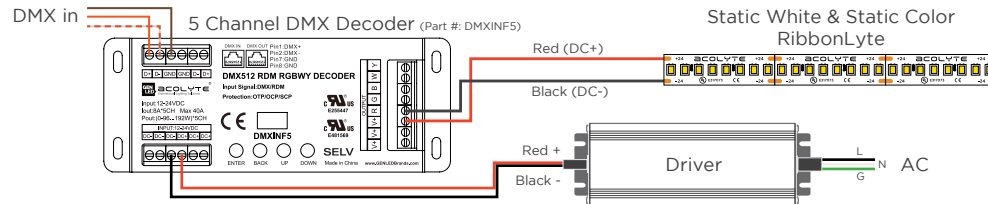
0-10 V



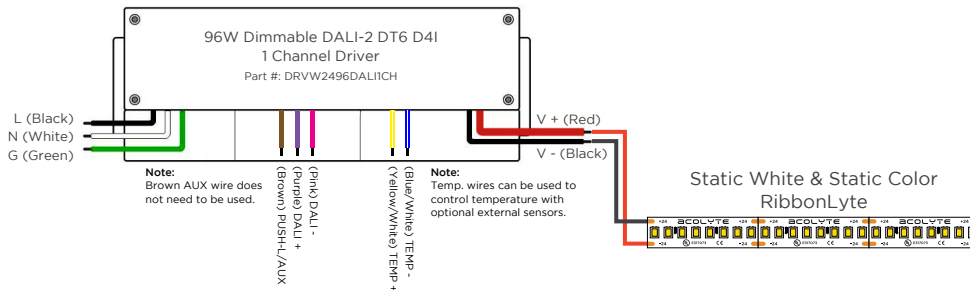
MLV / ELV



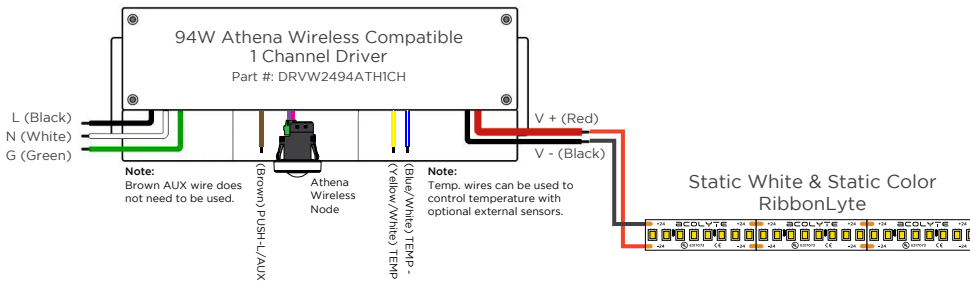
DMX WIRING WITH STATIC WHITE & STATIC COLOR RIBBONLYTE



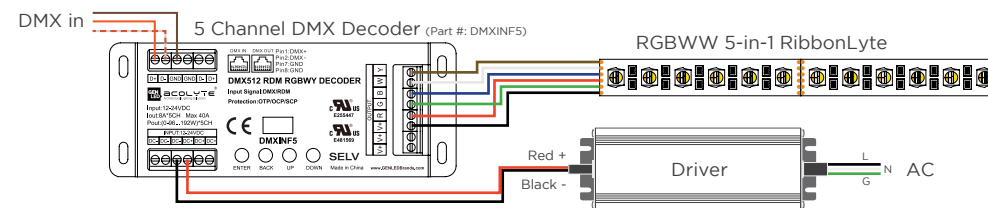
DALI-2 WIRING WITH STATIC WHITE & STATIC COLOR RIBBONLYTE



STATIC WHITE & STATIC COLOR RIBBONLYTE WIRING WITH ATHENA WIRELESS COMPATIBLE DRIVER



DMX WITH RGBWW 5-IN-1 RIBBONLYTE



WIRE COLORS PER RIBBONLYTE COLOR

STATIC WHITE + STATIC COLOR

Red Wire (+) Positive
Black Wire (-) Negative

RGBW + RGBA

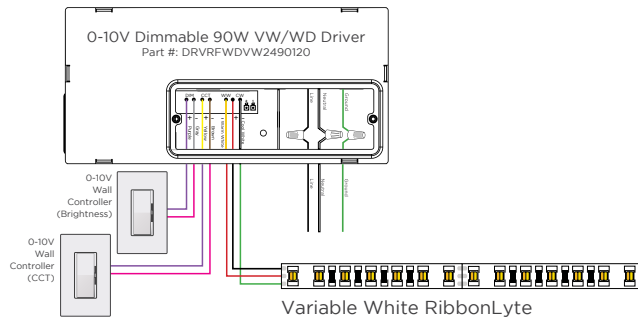
Black Wire (+) Positive
Green Wire (-) goes to Green Channel
Red Wire (-) goes to Red Channel
Blue Wire (-) goes to Blue Channel
White Wire (-) goes to White Channel

RGBWW

Black (+) Positive
Green Wire (-) goes to Green Channel
Red Wire (-) goes to Red Channel
Blue Wire (-) goes to Blue Channel
White Wire (-) goes to White Channel 1
Brown Wire (-) goes to White Channel 2

WIRING DIAGRAMS - VARIABLE WHITE

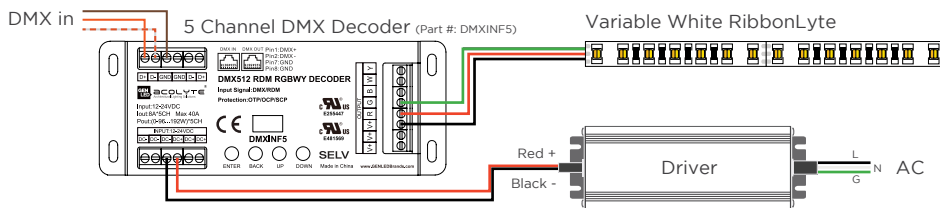
2-CHANNEL VARIABLE WHITE DIMMING



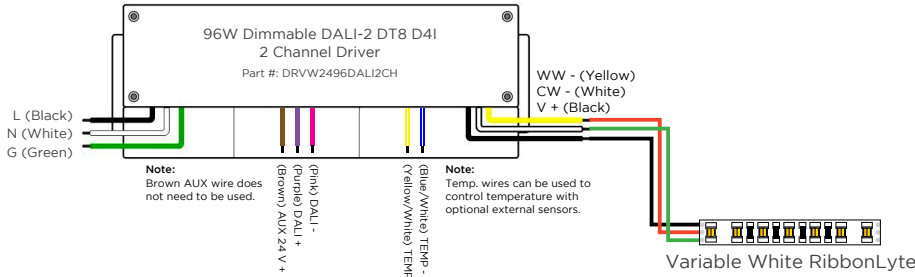
WIRE COLORS PER RIBBONLYTE COLOR

VARIABLE WHITE
Black Wire (+) Positive
Red Wire (-) goes to Warm White Channel
Green Wire (-) goes to Cool White Channel

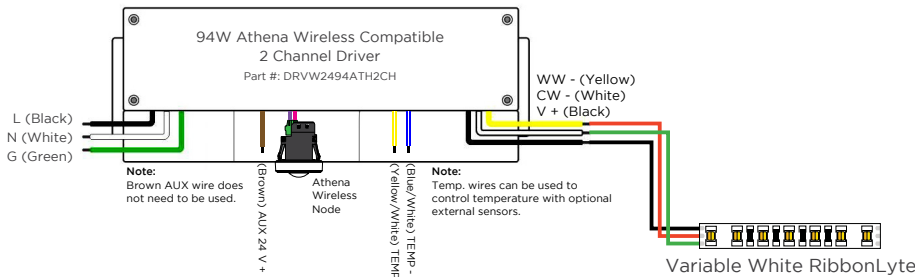
DMX WIRING WITH VARIABLE WHITE RIBBONLYTE



DALI-2 WIRING WITH VARIABLE WHITE RIBBONLYTE



VARIABLE WHITE RIBBONLYTE WIRING WITH ATHENA WIRELESS COMPATIBLE DRIVER



REV.29JUN2026

GLOBAL HQ

320 Murray Hill Pkwy
East Rutherford, NJ 07073
U.S.
T: (+1) 212 629 6830
E: Sales-US@GENLEDBrands.com

EUROPEAN HQ

Hogeweyselaan 119
1382 JK Weesp
Netherlands
T: (+31) 346 235 000
E: SalesEurope@GENLEDBrands.com

MEINA HQ

PO Box 371378, #823, Building 4EA
Dubai Airport Free Zone
Dubai, UAE
T: (+971) 4 701 7901
E: SalesMEINA@genlebrands.com

ASIA-PACIFIC HQ

Room 402, Building D
Shenshi Tongchuang Science and Technology Park
No. 16 Hongyin Road
Xingqiang Community, Xinhui Street
Guangming District, Shenzhen, China 518107
T: (+86) 755 8529 0710
E: Sales-Pacific@GENLEDBrands.com