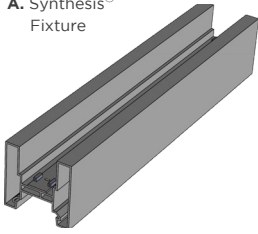


COMPONENTS:

A. Synthesis[®] Fixture



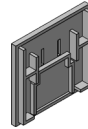
B. Lens Housing



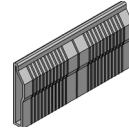
C. Louver



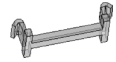
D. End Cap



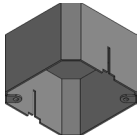
E. Coupler



F. Lens Clip



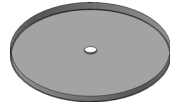
G. Junction Box



H. Cross Bar



I. 5" Canopy



J. Cord Grip Base



K. CG Cap



L. Coupler



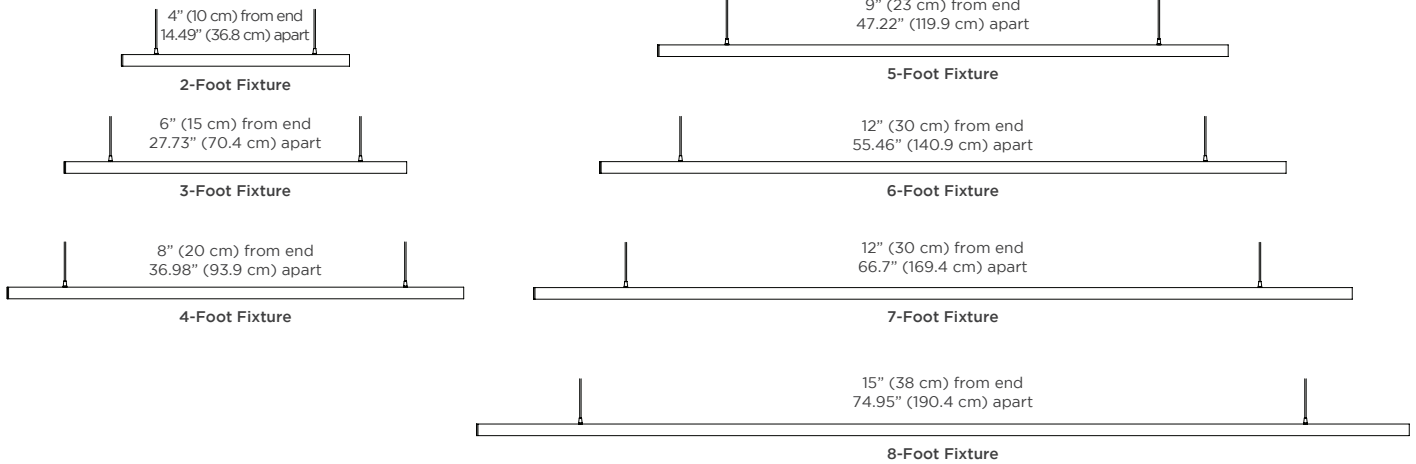
N. Butterfly Toggle



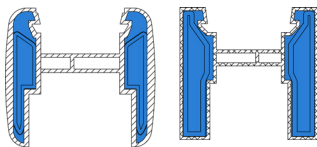
M. Coupler Base



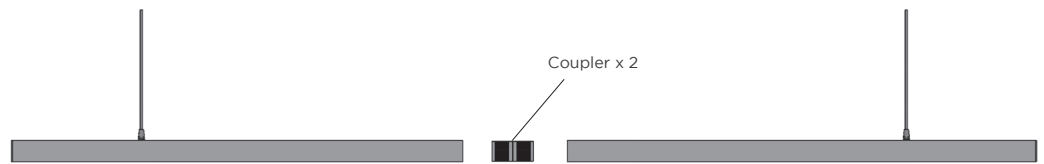
SUGGESTED WIRE SEPARATION:



CONNECTING MULTIPLE FIXTURES:



Insert couplers into the areas in blue

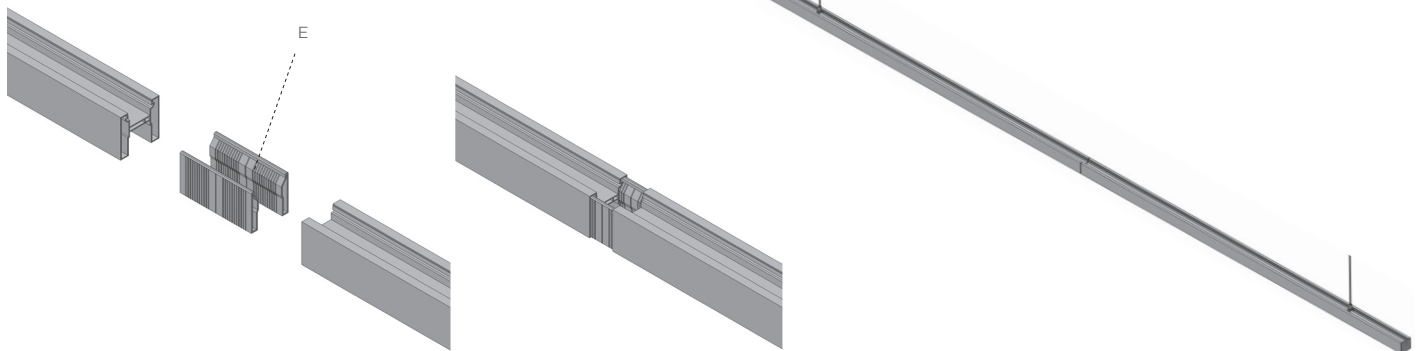


Coupler x 2

1. Connect fixtures with Couplers (E). Make sure the Couplers (E) are attached on fixture at the areas in blue.

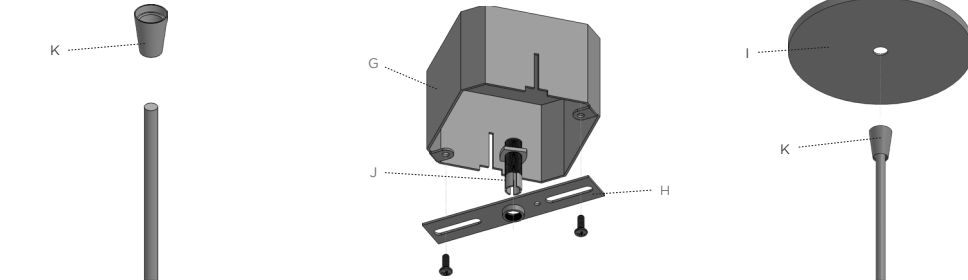
2. Push the Couplers (E) into fixtures.

3. Fixtures' connection complete.

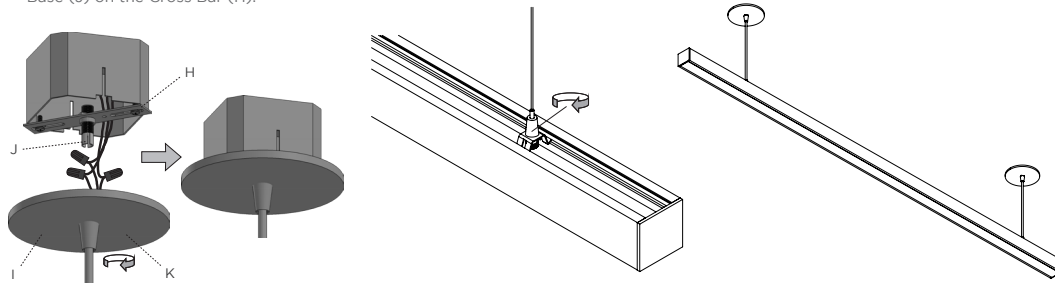


POWER FEED INSTALLATION:

- Put the Cable through the CG Cap (K). If the Synthesis[®] model has light on both sides (direct/indirect), you will repeat steps 1-5 for each side.
- Attach the Cross Bar (H) to the Junction Box (G) with Screws, and insert the Cord Grip Base (J) into the hole in the center of the Cross Bar (H) from the top.
- Put the Cable with CG Cap (K) into 5" Canopy (I).

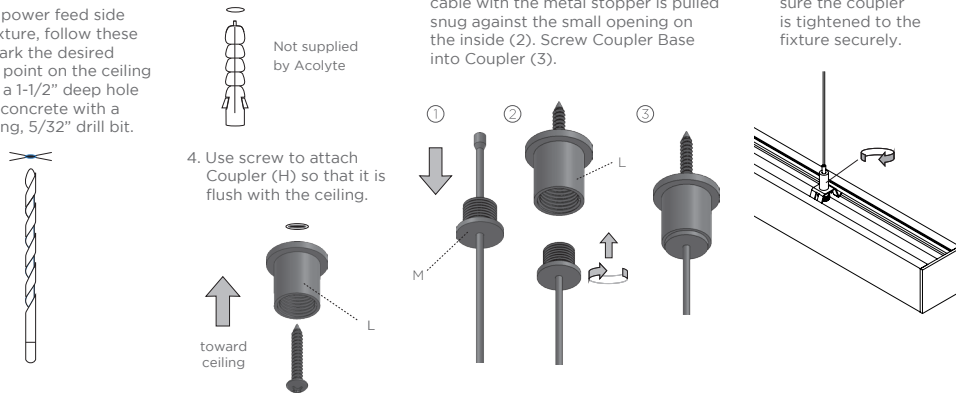


- Screw the CG Cap (K) with 5" Canopy (I) onto the Cord Grip Base (J) on the Cross Bar (H).
- As an added precaution, make sure the Coupler is tightened to the fixture securely.
- Repeat for this side.



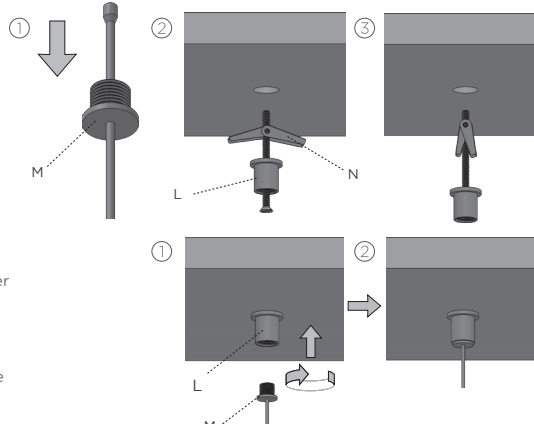
DIRECT-ONLY INSTALLATION WITH HARD CEILING:

- Repeat Steps 1-5 of the power feed installation.
- For non-power feed side of the fixture, follow these steps. Mark the desired hanging point on the ceiling and drill a 1-1/2" deep hole into the concrete with a 3-1/2" long, 5/32" drill bit.
- Insert anchor into drill hole.
Not supplied by Acolyte
- Slide aircraft cable through opening of Coupler Base (1) so the end of the cable with the metal stopper is pulled snug against the small opening on the inside (2). Screw Coupler Base into Coupler (3).
- As an added precaution, make sure the coupler is tightened to the fixture securely.



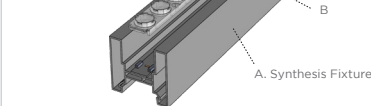
DIRECT-ONLY INSTALLATION WITH DRYWALL/GYPSUM CEILING:

- Repeat Steps 1-5 of the power feed installation (top).
- For non-power feed side of the fixture, follow these steps. Mark the desired hanging point on the ceiling and drill a 1-1/2" deep hole into the concrete with a 3-1/2" long, 5/32" drill bit. (see above for diagram)
- Insert anchor into drill hole. (see above for diagram)
- Slide Aircraft Cable through opening of Coupler Base (M) so the end of the Cable with the Metal Stopper is pulled snugly against the small opening on the inside of the Coupler Base (M). Put the Butterfly Toggle (N) through the Coupler (L). Fold the Butterfly Toggle (N) to fit through drilled hole in drywall.
- Make sure the Coupler (L) is securely screwed on the drywall, and then screw in Coupler Base (M) into Coupler (L).
- As an added precaution, make sure the Coupler is tightened on the fixture securely. (see above for diagram)

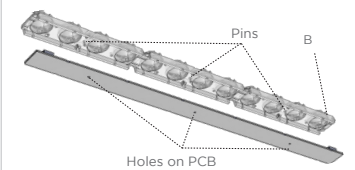


LENS INSTALLATION:

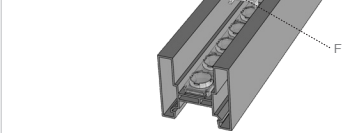
- Before suspending the Synthesis Fixture (A), place the Lens Housing (B) over the circuit boards.



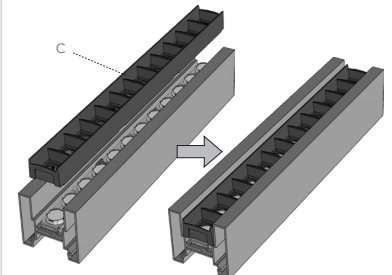
- Align the pins in Lens Housing (B) with the holes in the PCB that is attached to the Synthesis Fixture (A).



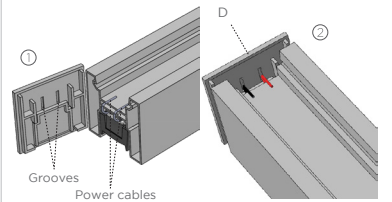
- Every 3.75"(95mm), snap one of the clear plastic Lens Clips (F) to the fixture to hold the Lens Housing in place.



- Attach the Louver (C) by lining up the holes in the Louver (C) with the lenses and press the Louver (C) onto the Lens Housing (B) until it is tight.



- Attach the End Cap (D) by aligning the power cables to the grooves in the End Cap (D) and then pressing the End Cap (D) tight against the fixture to complete installation.



6. Lens installation completed.

