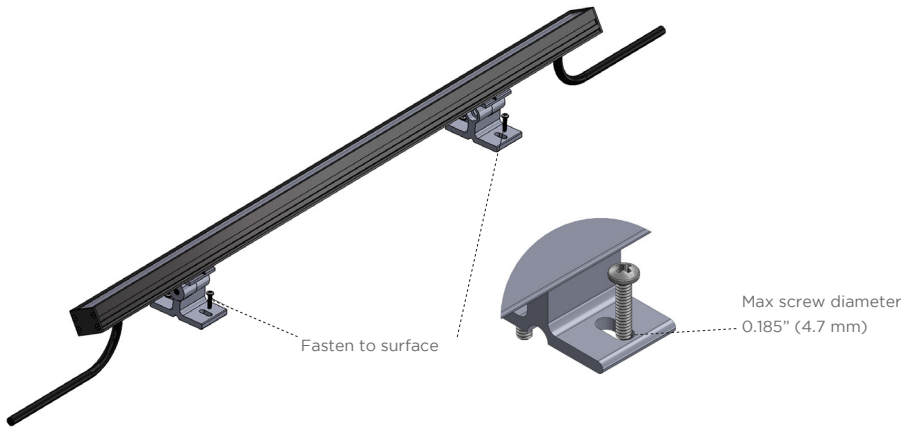


1. Tilt the fixture top to one side and position the fixture at the desired location.



2. Screw in the screws through the screw holes on the tiltable stands.



3. Tilt the fixture top to the other side and screw in the screws through the screw holes on the tiltable stands same as Step 2.

4. Connect to power supply and to additional fixture if desire to complete the installation.

