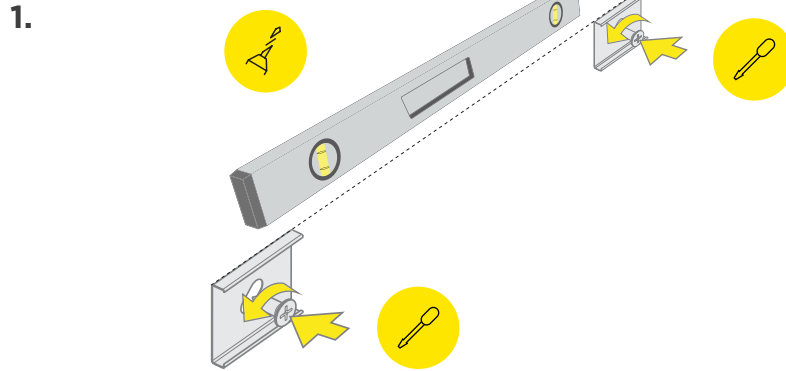
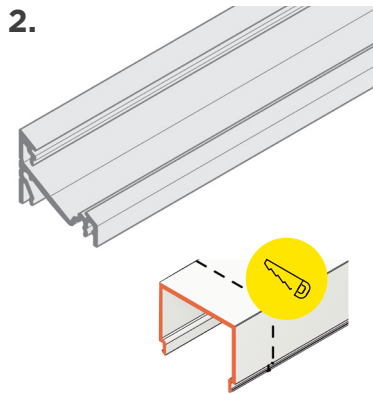


**NOTE:**

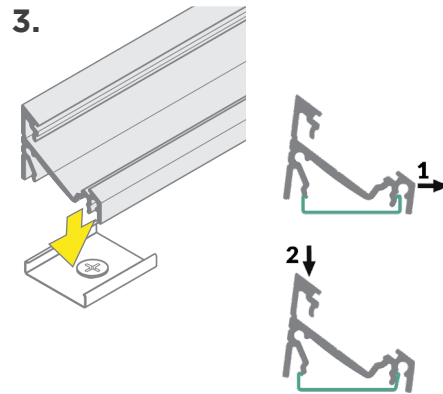
1. Each end cap increases the length of the fixture by 2 mm.
2. When using corner connectors, hold connector in desired place. Slide mounting clip part way into each side of channel connector base and screw fasteners through the mounting clips to fix them in place. Then join main channel.



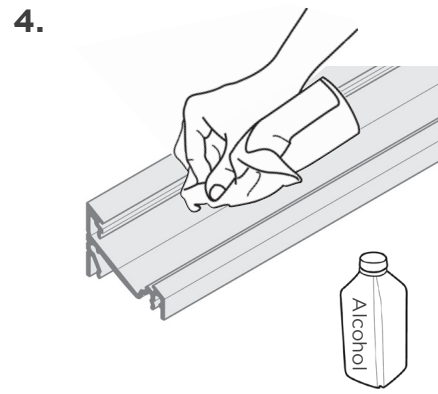
Check intended angle of fixture display. Measure and mark the desired location of the corner mounting clips. Drill a pilot hole for mounting clip fasteners. Screw the fasteners through the mounting clips to fix them in place on the surface.



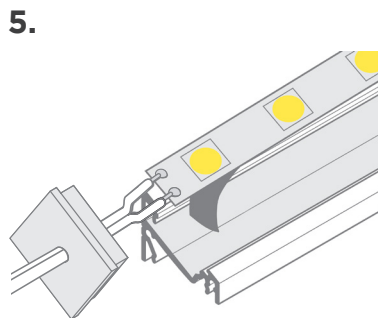
Cut channel and lens to desired (equal) lengths.



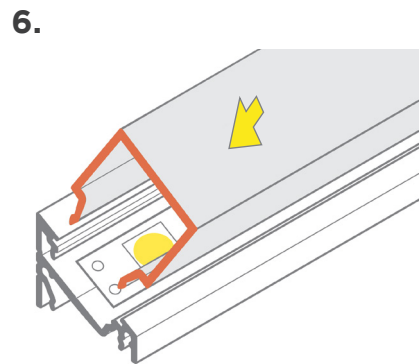
Align the channel above the mounting clips and push down to snap into place.



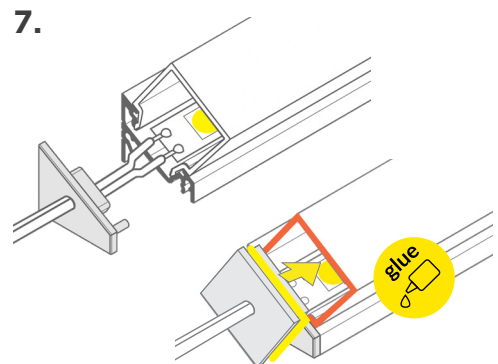
Clean the inside surface of the channel of dust and debris with rubbing alcohol. Dry.



Apply RibbonLyte. Make all necessary electrical connections.



Attach lens by sliding or snapping into place.



Attach end caps. For raised square lens, affix matching lens cap with glue. Fixture installation complete.

**NOTE:**

1. When using 180-degree connector to lengthen fixture, it is recommended to mount the connector before installing RibbonLyte. If there is no way to slide the fixture into the connector, it is recommended to mount with screws directly to the mounting surface.
2. When using corner connectors, hold connector in desired place. Slide mounting clip part way into each side of channel base and screw fasteners through the mounting clips to fix them in place. Then join main channel.

