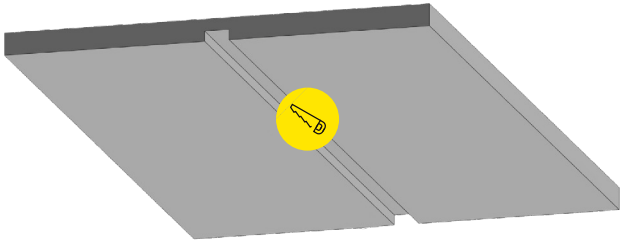
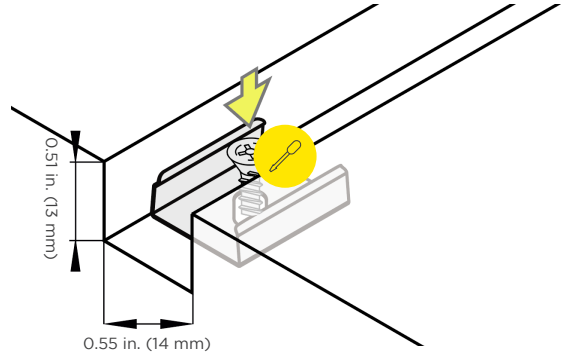


1.



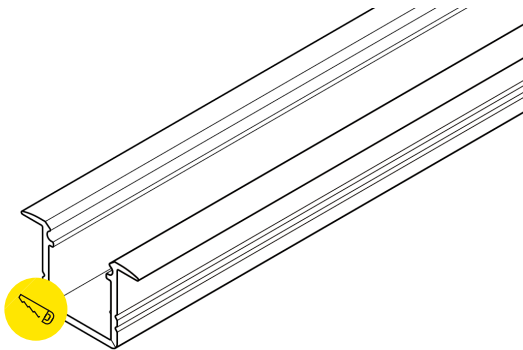
Measure the size of the channel and mounting clips and cut a recess into the surface to match the size of the channel and mounting clips.

2.



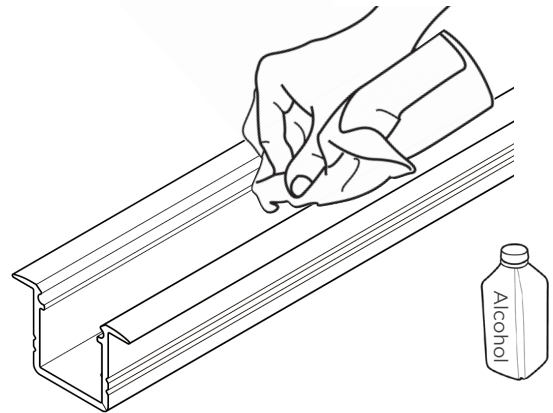
Measure and mark the desired location of the mounting clips. Drill a pilot hole for mounting clip fasteners. Screw the fasteners through the mounting clips to fix them in place on the surface.

3.



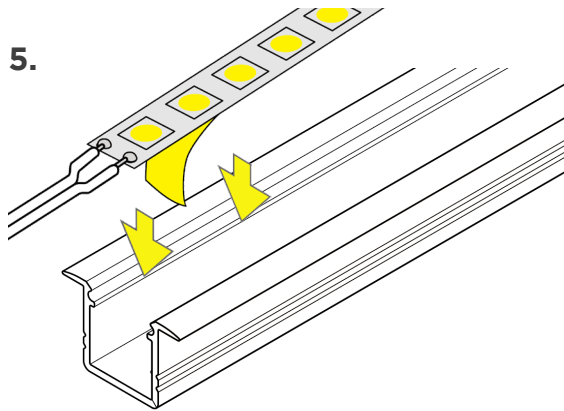
Cut channel and lens to desired (matching) length.

4.



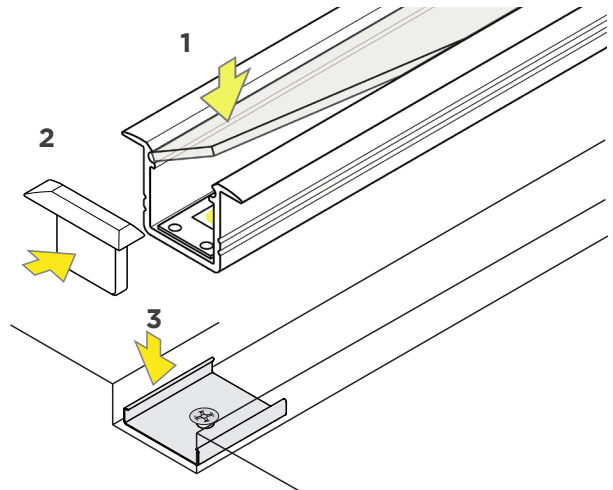
Clean the inside surface of the channel of dust and debris with rubbing alcohol. Dry.

5.



Apply RibbonLyte. Make all necessary electrical connections.

6.



Attach lens by sliding or snapping into place. Attach end caps. Align the channel above the mounting clips and push down to snap into place. Fixture installation complete.

***NOTE:** In lieu of mounting clips, fixtures can be affixed to recessed surface with liquid adhesive.