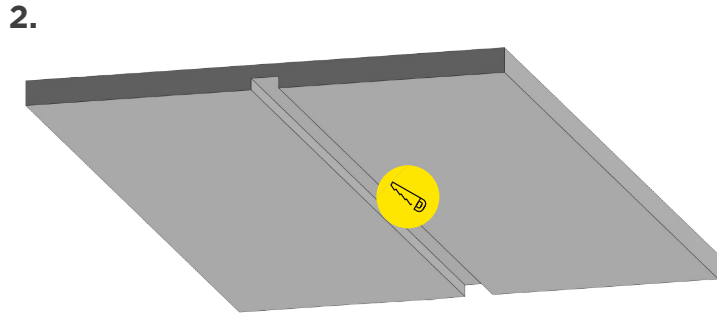
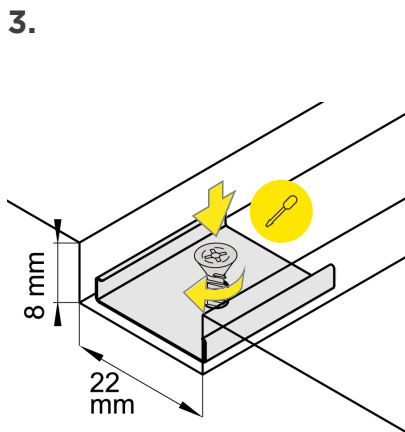


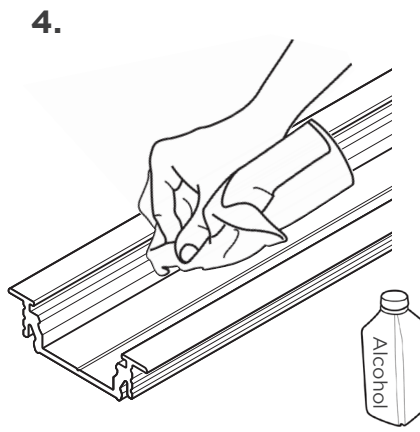
1. Cut channel and lens to desired length.



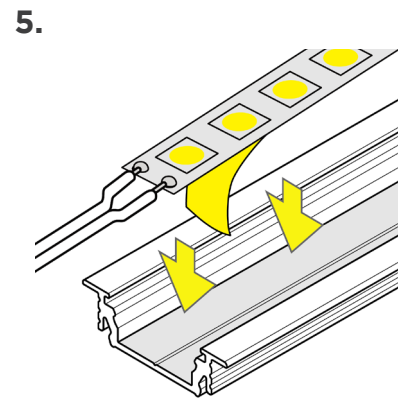
2. Measure the size of the channel and mounting clips and cut a recess into the surface to match the size of the channel and mounting clips.



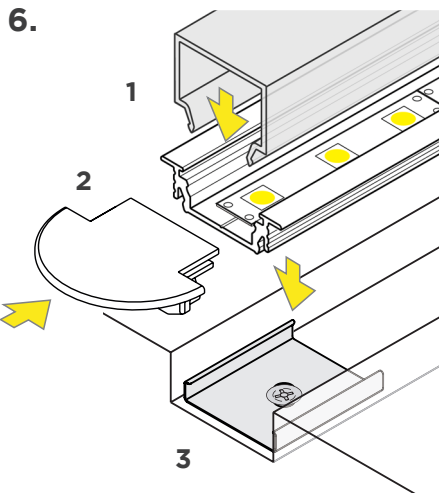
3. Screw the fasteners through the mounting clips to fix them in place on the surface.



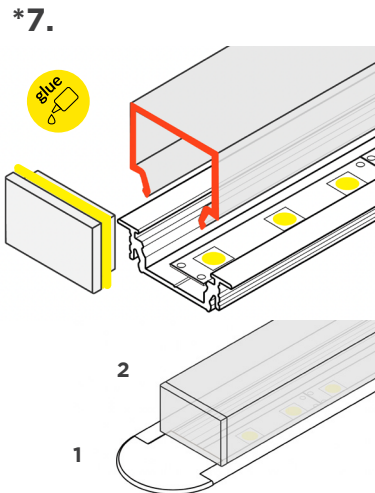
4. Clean the inside surface of the channel of dust and debris with rubbing alcohol. Dry.



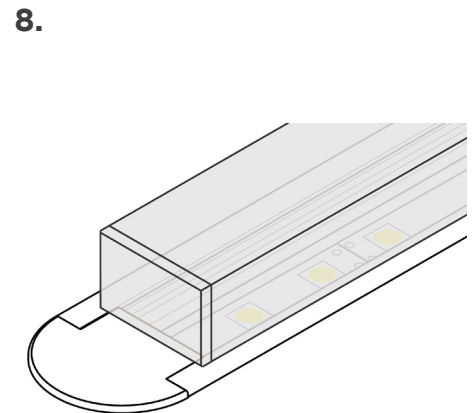
5. Apply RibbonLyte. Make all necessary electrical connections. (Feed through end caps as needed.)



6. Attach lens by sliding or snapping into place. Attach end caps*. Align the channel above the mounting clips and push down to snap into place.



*7. If using raised square lens, affix matching lens cap with glue.



8. Fixture installation complete.