

AR20 CHANNEL FIXTURE INSTALLATION GUIDE



TECHNICAL SUPPORT
(+1) 212 629 6830 *301
Tech@GENLEDBrands.com



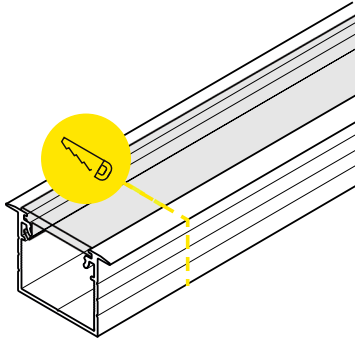
U.S. PRICING & SALES SUPPORT
(+1) 212 629 6830 *300
Sales-US@GENLEDBrands.com



U.S. CUSTOMER SERVICE
(+1) 212 629 6830 *304
CustomerService@GENLEDBrands.com

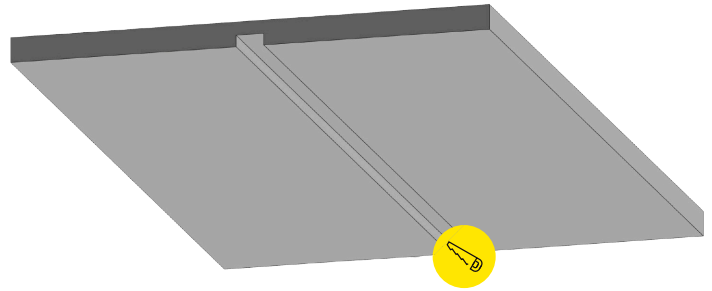
Our US team is in place to answer all of your product questions and help with installations.

1.



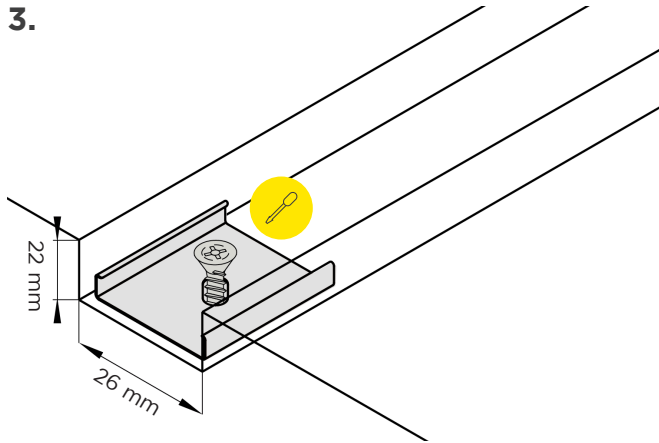
Cut channel and lens to desired length.

2.



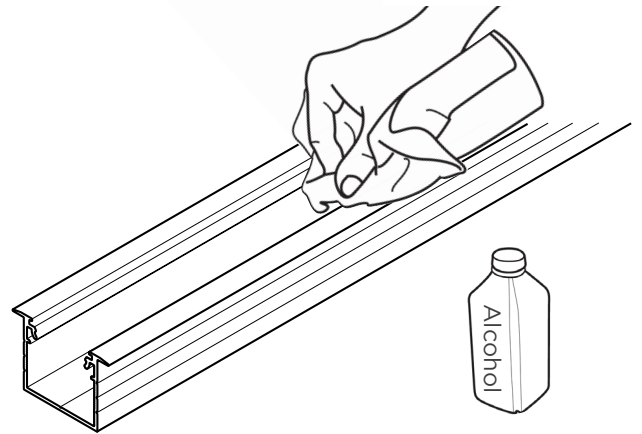
Measure the size of the channel and mounting clips and cut a recess into the surface to match the size of the channel and mounting clips.

3.



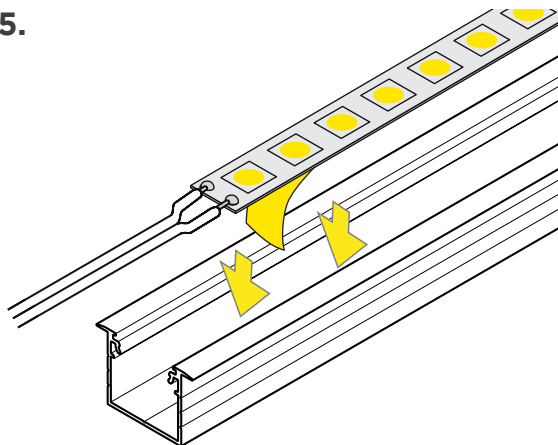
Screw the fasteners through the mounting clips to fix them in place on the surface.

4.



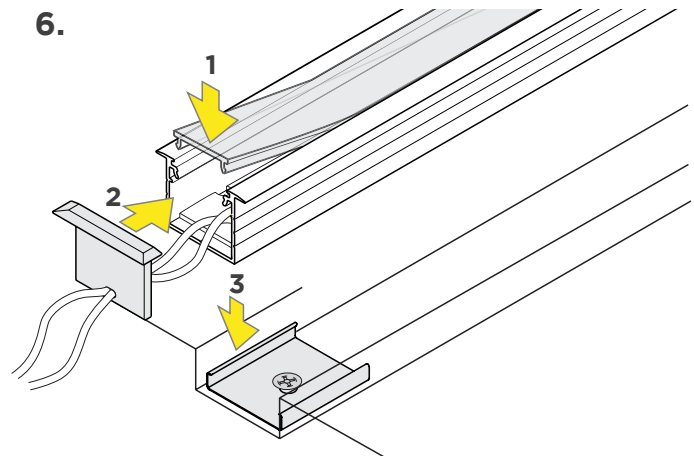
Clean the inside surface of the channel of dust and debris with rubbing alcohol. Dry.

5.



Apply RibbonLyte. Make all necessary electrical connections. (Feed through end caps as needed.)

6.



Attach lens by sliding or snapping into place. Attach end caps. Align the channel above the mounting clips and push down to snap into place. Fixture installation complete.

NOTE: If mounting clips cannot be used, attach spring clips to channel, push channel through recess and deploy spring clips. Due to size of channel we DO NOT recommend using liquid adhesives.

REV. 19MAR2021