

## AR23 CHANNEL FIXTURE INSTALLATION GUIDE



**TECHNICAL SUPPORT**  
(+1) 212 629 6830 \*301  
Tech@GENLEDBrands.com

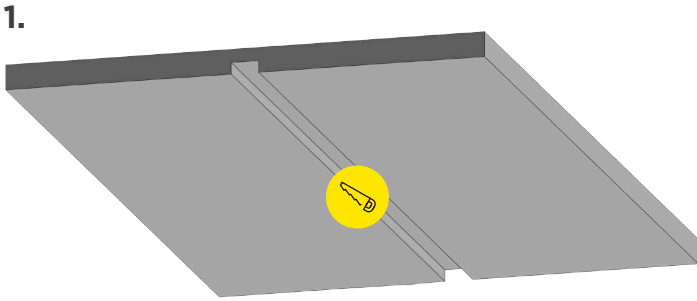


**U.S. PRICING & SALES SUPPORT**  
(+1) 212 629 6830 \*300  
Sales-US@GENLEDBrands.com

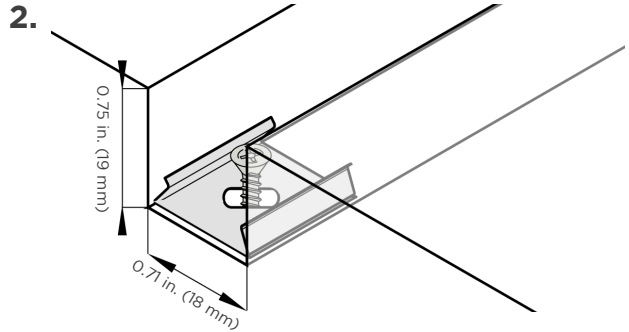


**U.S. CUSTOMER SERVICE**  
(+1) 212 629 6830 \*304  
CustomerService@GENLEDBrands.com

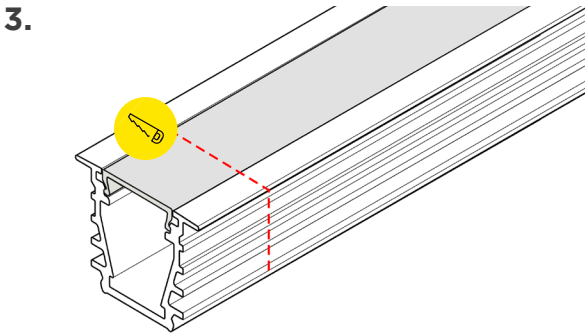
Our US team is in place to answer all of your product questions and help with installations.



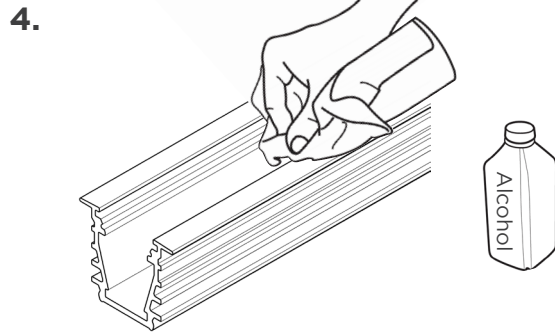
1. Measure the size of the channel and mounting clips and cut a recess into the surface to match the size of the channel. Note that end caps will increase the length of channel where applied.



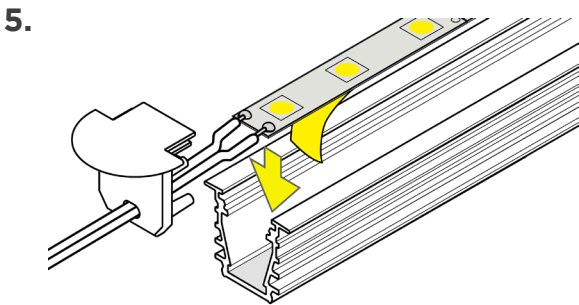
2. Screw the fasteners through the mounting clips to fix them in place on the recessed surface.



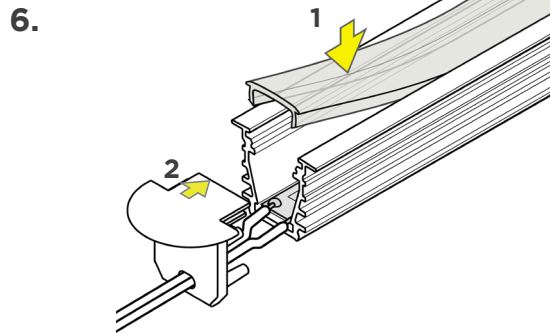
3. Cut channel and lens to desired (matching) length.



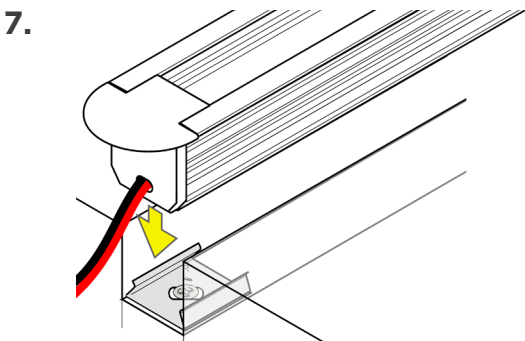
4. Clean the inside surface of the channel of dust and debris with rubbing alcohol. Dry.



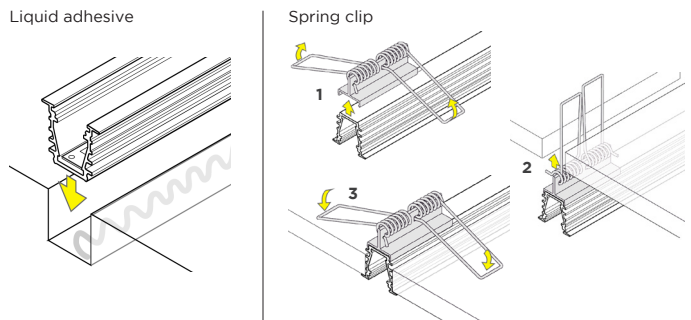
5. Apply RibbonLyte. Make all necessary electrical connections.



6. Attach lens by sliding or snapping into place. Attach end caps.



7. Align the channel above the mounting clips and push down to snap into place. Fixture installation complete.



**NOTE:** If mounting clips cannot be used, apply a liquid adhesive in the recess before placing the channel OR attach spring clips to channel, push channel through recess and deploy spring clips.