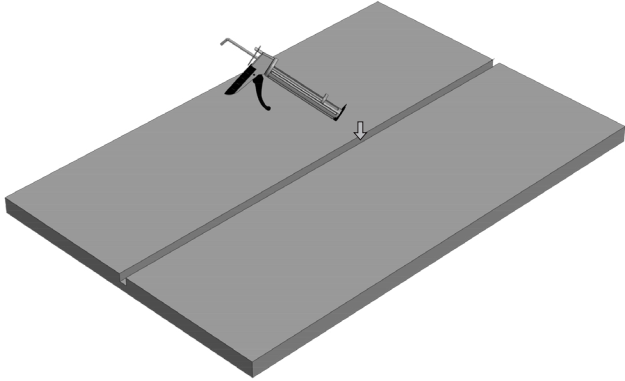
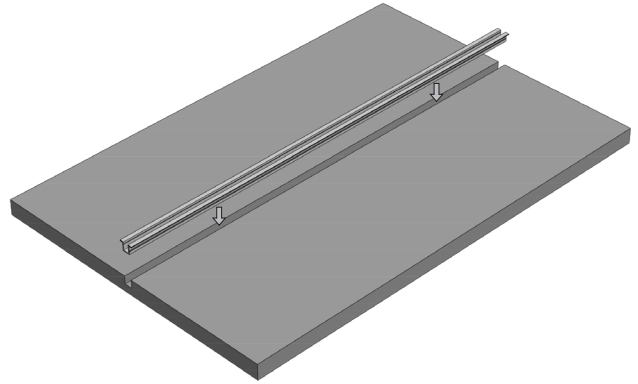




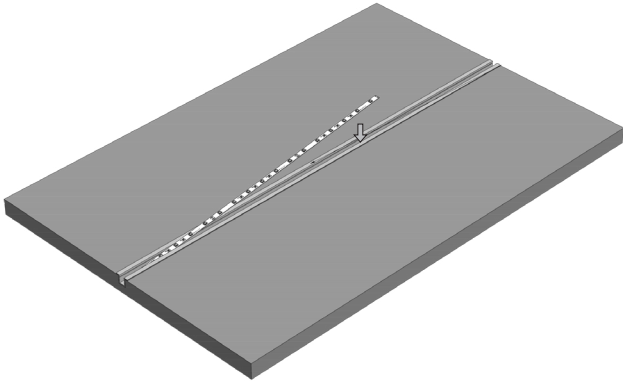
1. Cut a recess in the surface the size of the Micro Channel and coat recess with liquid construction adhesive. Drill holes in recess for power wire feeds.



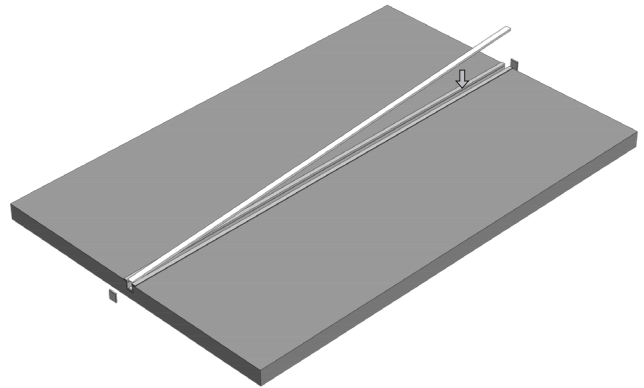
2. Feed power wires through the surface and set fixture in place in the recess.



3. Place Ribbonlyte into the channel and make all necessary electrical connections.



4. Attach the lens and end caps to the fixture.



5. Installation complete.

