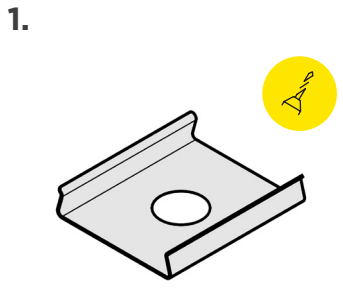
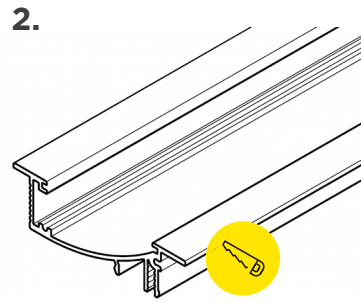


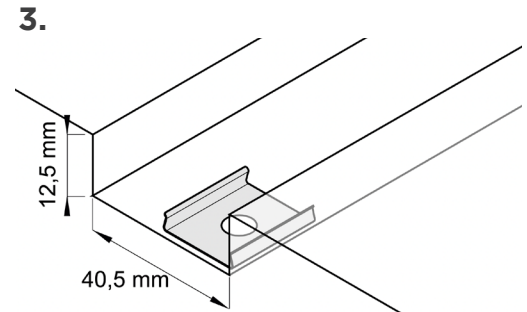
***NOTE BEFORE CUTTING:** Lens will be 1 mm longer than channel at each end to properly fit into end caps.



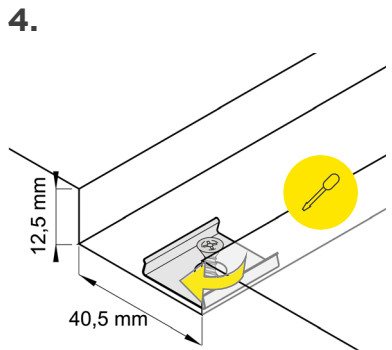
Pre-drill holes in mounting clips for fasteners.



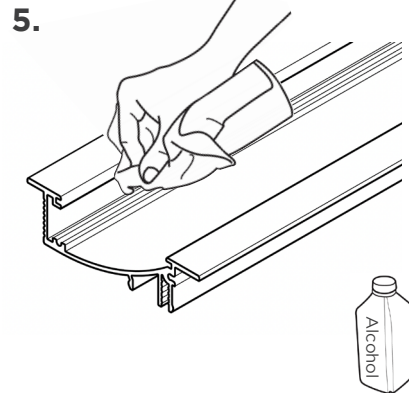
Cut channel and lens to desired fit, noting that lens will be longer than channel where end caps are used.



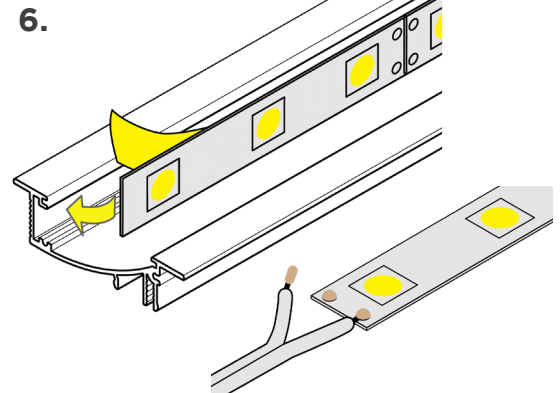
Measure the size of the channel and mounting clips and cut a recess into the surface to match the size of the channel (approx. 12.5 mm deep, 40.5 mm wide). Note that end caps will increase the length of channel where applied.



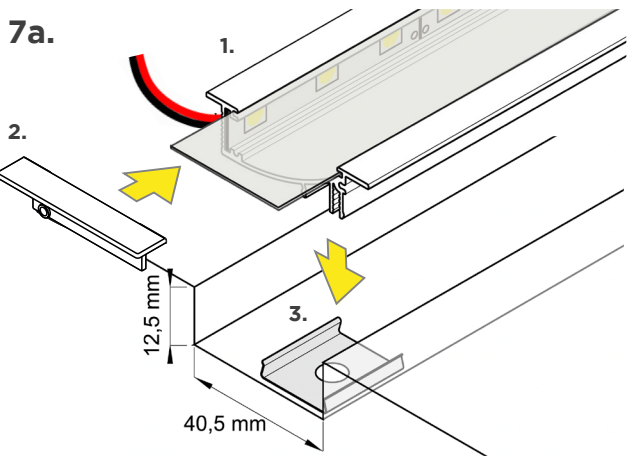
Screw the fasteners through the mounting clips to fix them in place on the recessed surface.



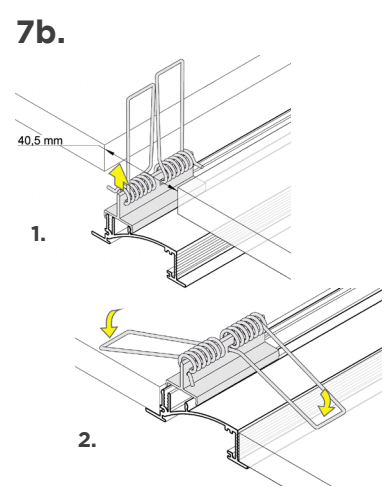
Clean the inside surface of the channel of dust and debris with rubbing alcohol. Dry.



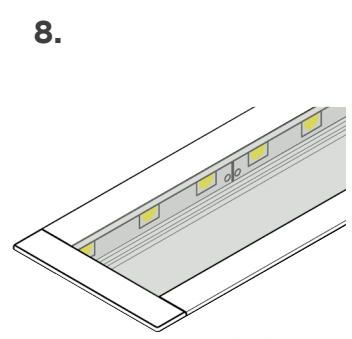
Apply RibbonLyte. Make all necessary electrical connections.



Attach lens by sliding or snapping into place. Attach end caps. Align the channel above the mounting clips and push down to snap into place. Channel should fit snug with the flanges over the lip of the surface.



If mounting clips cannot be used, attach spring clips to channel, push channel through recess and deploy spring clips.



Fixture installation complete.