



## AS23 CHANNEL FIXTURE INSTALLATION GUIDE



**TECHNICAL SUPPORT**  
(+1) 212 629 6830 \*301  
Tech@GENLEDBrands.com



**U.S. PRICING & SALES SUPPORT**  
(+1) 212 629 6830 \*300  
Sales-US@GENLEDBrands.com

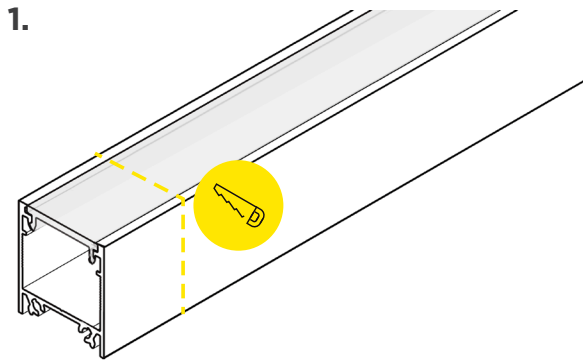
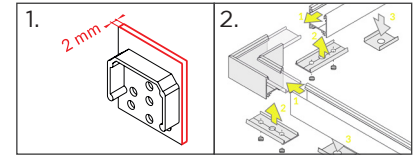


**U.S. CUSTOMER SERVICE**  
(+1) 212 629 6830 \*304  
CustomerService@GENLEDBrands.com

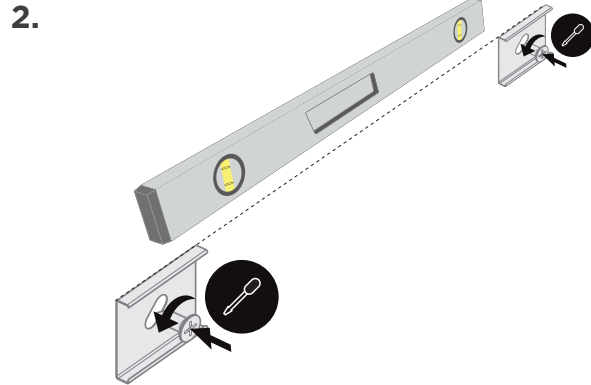
Our US team is in place to answer all of your product questions and help with installations.

**NOTE:**

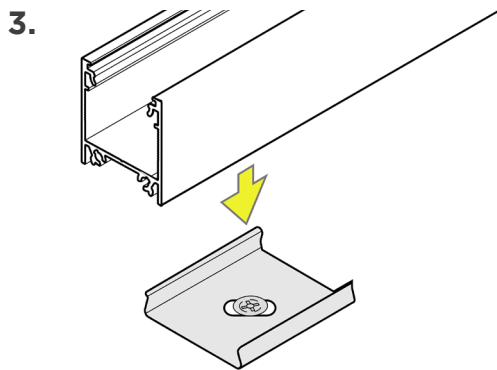
1. Each end cap increases the length of the fixture by 2 mm.
2. When using corner connectors, hold connector in desired place. Slide mounting clip part way into each side of channel connector base and screw fasteners through the mounting clips to fix them in place. Then join main channel.



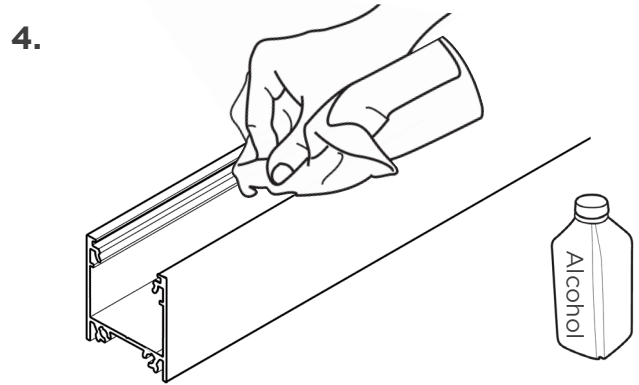
Cut channel and lens to desired length.



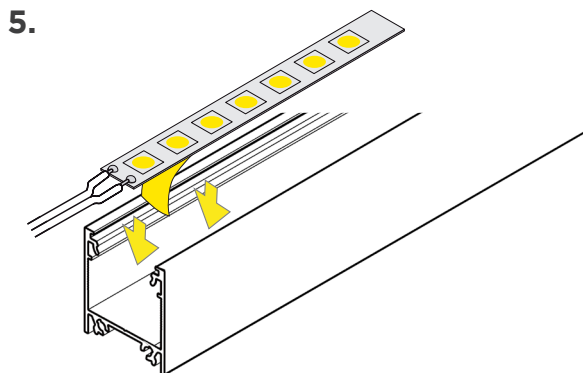
Measure and mark the desired location of the mounting clips. Drill a pilot hole for mounting clip fasteners. Screw the fasteners through the mounting clips to fix them in place on the surface.



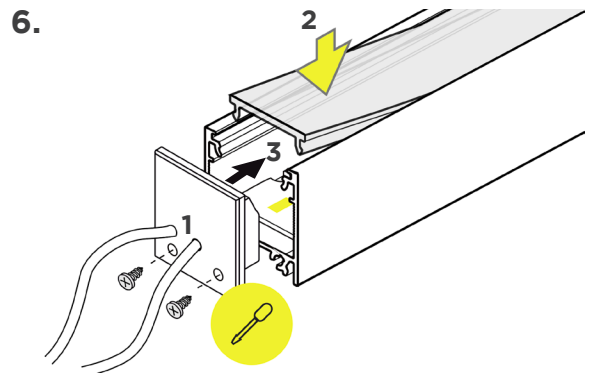
Align the channel above the mounting clips and push down to snap into place.



Clean the inside surface of the channel of dust and debris with rubbing alcohol. Dry.



Apply RibbonLyte.



Drill hole in end caps for electrical connections. Feed wire through and make all necessary electrical connections. Attach lens by sliding or snapping into place. Attach end caps. Fixture installation complete.