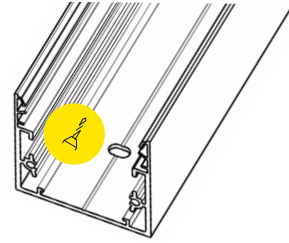


1.



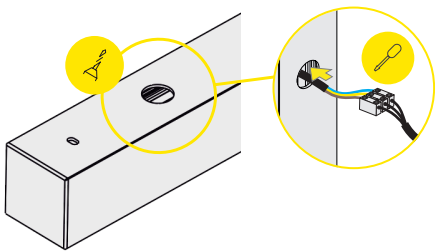
Measure the desired path of the channel on mounting surface.

2.



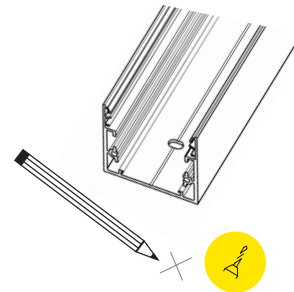
Drill pilot holes in channel for mounting (see chart for recommended spacing).

3.



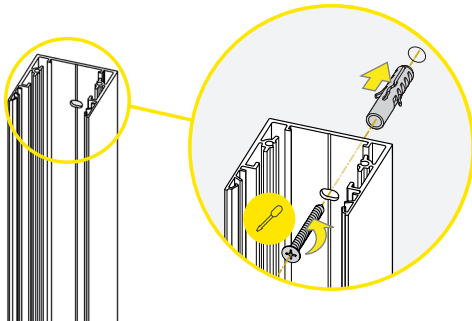
Drill any holes in channel needed for back-feed electrical connections.

4.



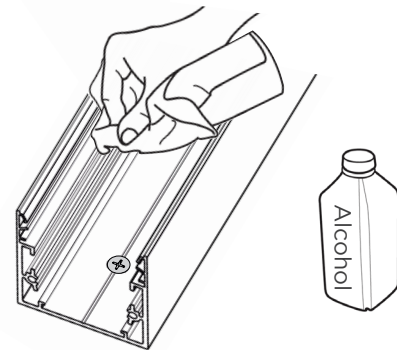
Mark location of holes on mounting surface. Drill pilot holes in mounting surface.

5.



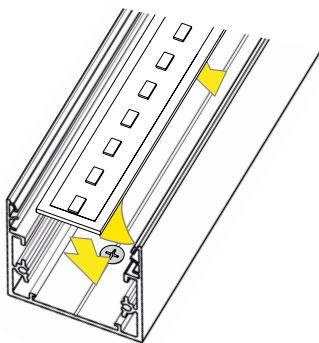
Align channel to pilot holes and attach with screws. Be sure to pull through any wires needed for back-feed electrical connection.

6.



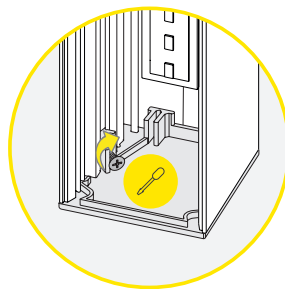
Clean the channel mounting surface of dust and debris using a cloth and rubbing alcohol. Dry.

7.



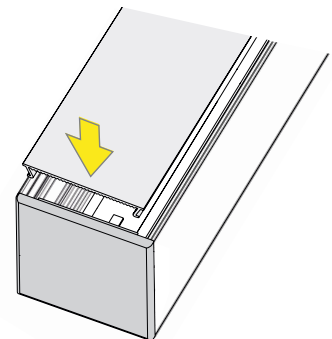
Apply RibbonLyte to mounting surface and make all necessary electrical connections.

8.



Insert the end caps and secure with the screws provided.

9.



Attach the lens by snapping into place. Installation complete.



Recommended Spacing for Mounting Screws

Fixture Length	2 ft.	3 ft.	4 ft.	5 ft.	6 ft.	7 ft.	8 ft.	9 ft.	10 ft.	11 ft.	12 ft.	13 ft.
2 End Screws (Distance from End of Channel)	4 in.	6 in.	8 in.	9 in.	12 in.	12 in.	15 in.	15 in.	15 in.	15 in.	15 in.	15 in.
Additional Screws	n/a	n/a	n/a	n/a	1	1	1	1	1	2	2	2
Distance Between End Screws and Additional Screw(s)	n/a	n/a	n/a	n/a	24 in.	30 in.	33 in.	39 in.	45 in.	34 in.	38 in.	42 in.

