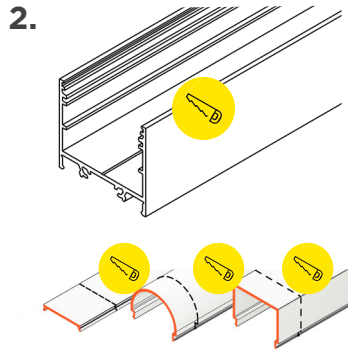
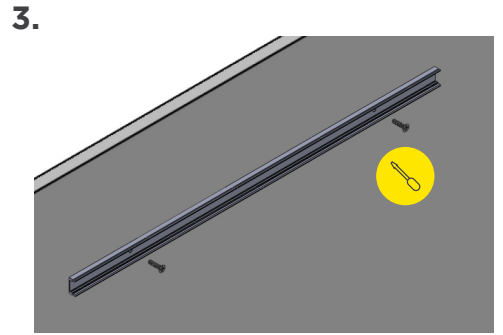


1. Measure and mark the desired location of the channel fixture. Drill a pilot hole for anchors within 2-3 in. (50-75 mm) of each end and at least every 18 in. (450 mm) across the length of the fixture.

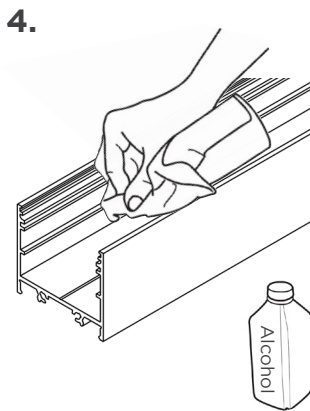


2. Cut channel and lens to desired (equal) lengths. Each end cap adds 2 mm to length of fixture.

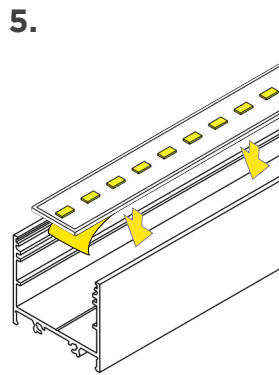


3. Screw the fasteners through the back of the fixture to attach them to the anchors.

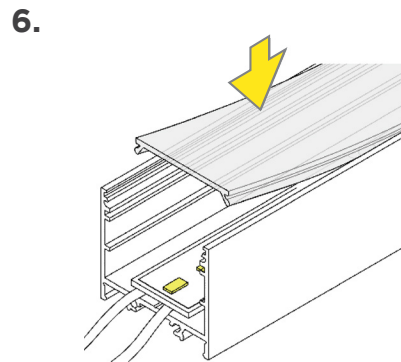
NOTE: Exterior channel applications should be securely attached to the mounting surface with appropriate screws and/or liquid nails. Acolyte strongly recommends field assembly for exterior applications.



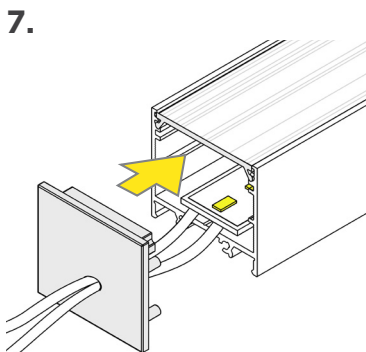
4. Clean the inside surface of the channel of dust and debris with rubbing alcohol. Dry.



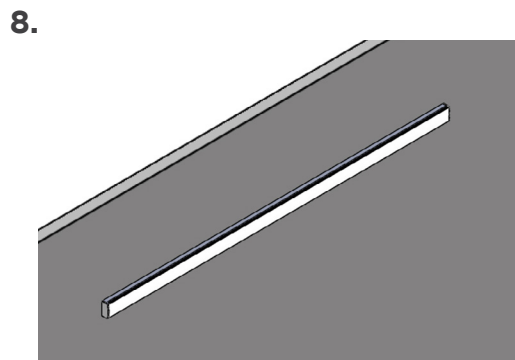
5. Apply RibbonLyte. Make all necessary electrical connections.



6. Attach lens by sliding or snapping into place.



7. Attach end caps.



8. Surface Channel fixture installation complete.