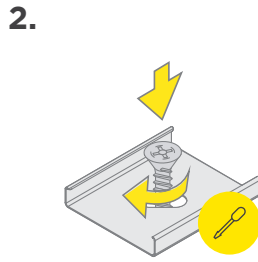
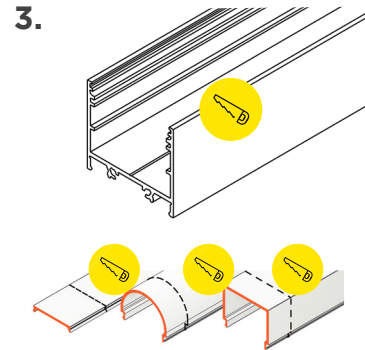


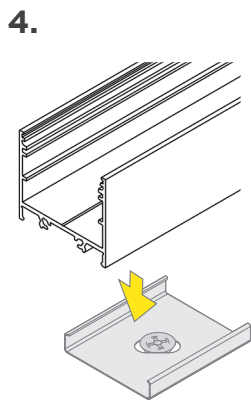
1. Measure and mark the desired location of the corner mounting clips. Drill a pilot hole for mounting clip fasteners.



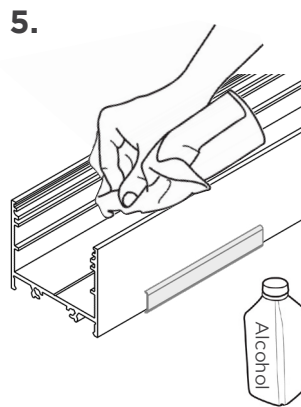
2. Screw the fasteners through the mounting clips to fix them in place on the surface.



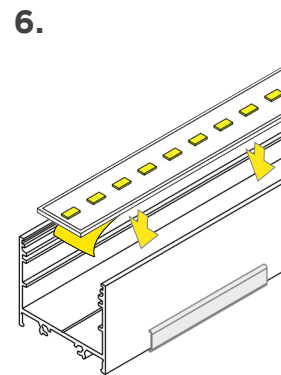
3. Cut channel and lens to desired (equal) lengths. Each end cap adds 2 mm to length of fixture.



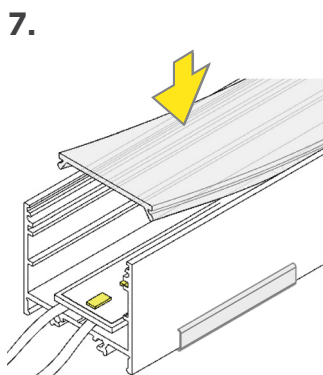
4. Align the channel above the mounting clips and push down to snap into place.



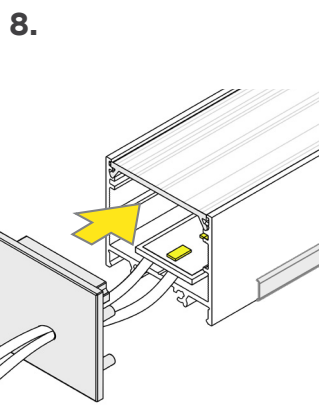
5. Clean the inside surface of the channel of dust and debris with rubbing alcohol. Dry.



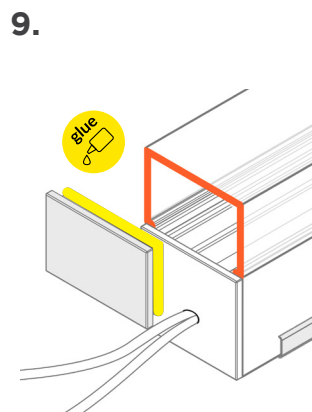
6. Apply RibbonLyte. Make all necessary electrical connections.



7. Attach lens by sliding or snapping into place.



8. Attach end caps\*.



9. If using raised round or square lens, affix matching lens cap with glue.



10. Fixture installation complete.