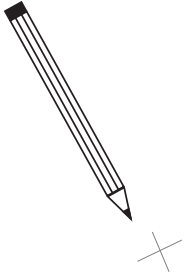


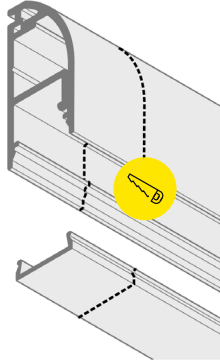
**\*NOTE:** End caps each add 2 mm to length of the fixture.

1.



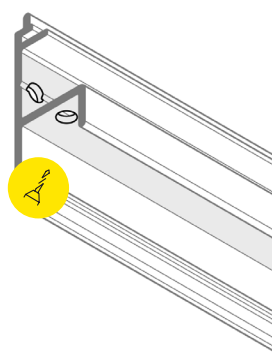
Measure and mark the desired location of the fixture.

2.



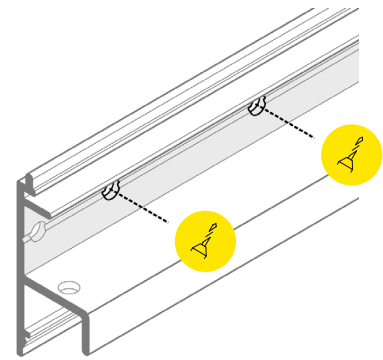
Cut channel and lens to desired (equal) lengths.

3.



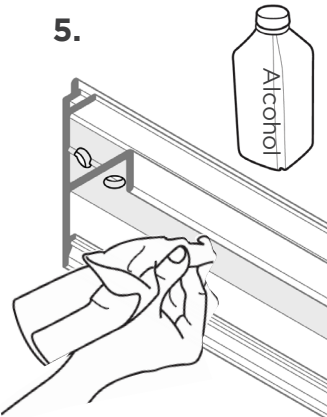
Drill holes in top of ribbon channel and back of fixture for wiring power supply.

4.



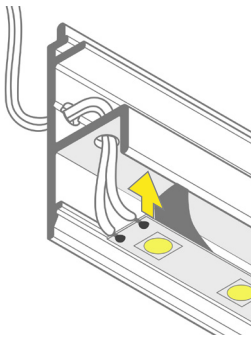
Pre-drill holes along back of fixture for mounting.

5.



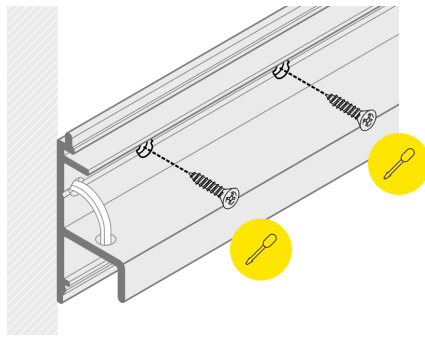
Clean the inside surface of the channel of dust and debris with rubbing alcohol. Dry.

6.



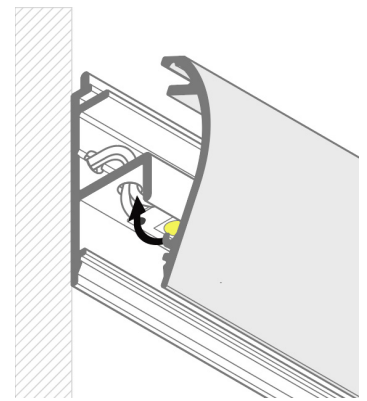
Apply RibbonLyte. Make all necessary electrical connections.

7.



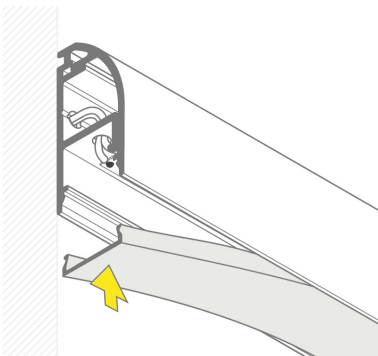
Mount fixture by screwing through middle of channel mounting section as needed.

8.



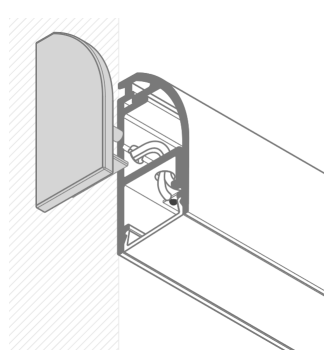
Install large cover to front of channel. Hook cover to bottom lip of channel, then click carefully into top lip. \*Note: DO NOT try to remove large cover by force. Carefully lift top lip and pull back to remove cover (from the top out toward you).

9.



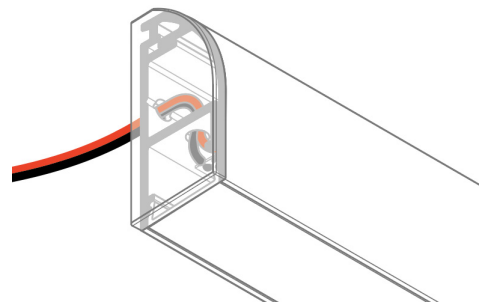
Attach lens by sliding or snapping into place.

10.



Attach end caps if needed.

11.



Fixture installation complete.

**\*NOTE:** In lieu of mounting clips, fixtures can be affixed to recessed surface with liquid adhesive.