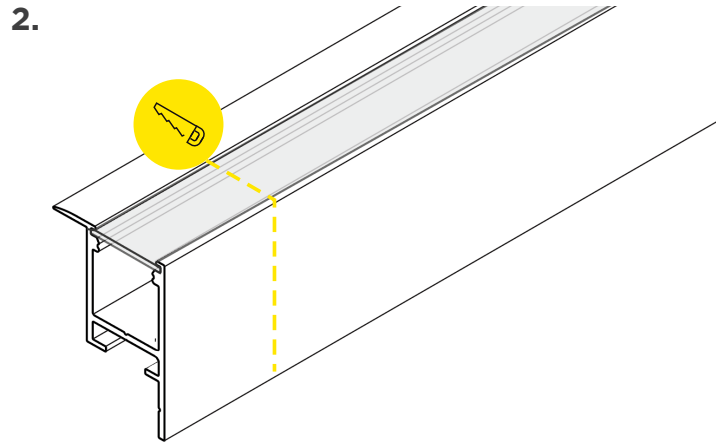
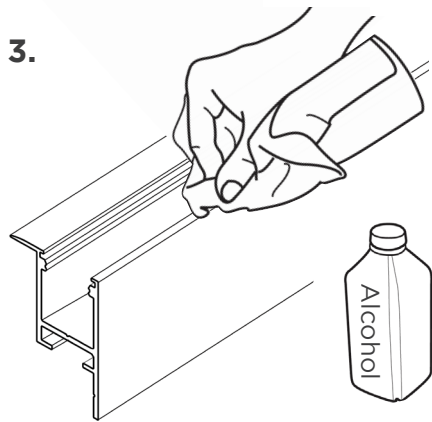


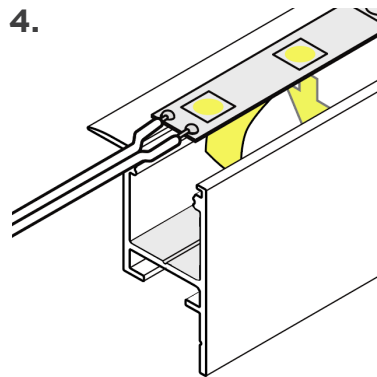
1. Measure and mark the desired location of the channel. Drill a pilot hole for mounting.



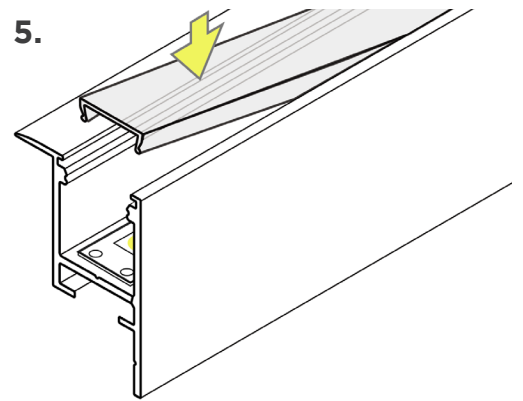
2. Cut channel and lens to desired length.



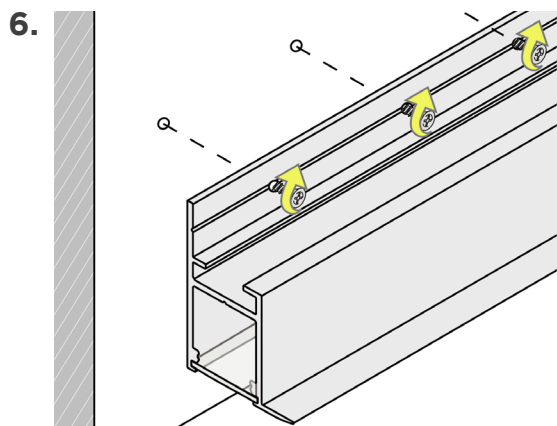
3. Clean the inside surface of the channel of dust and debris with rubbing alcohol. Dry.



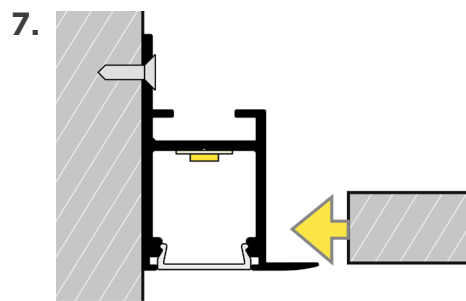
4. Apply RibbonLyte. Make all necessary electrical connections.



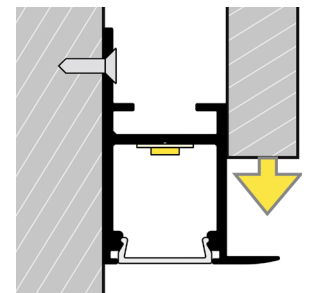
5. Attach lens by sliding or snapping into place.



6. Screw connectors through fixture edge to attach tightly to surface at regular intervals. (Use regular screws for drywall mounting; use anchors and larger screws for concrete mounting.)



7. Drywall Position Option 1



7. Drywall Position Option 2

Install secondary drywall as desired.
Please note that AW14 Channel is not a construction profile and is not designed to support the weight of drywall. Drywall must be installed with separate supporting structures.

NOTE: When using angled connectors, secure connectors before attaching fixture to surface.

REV.17JUN2021