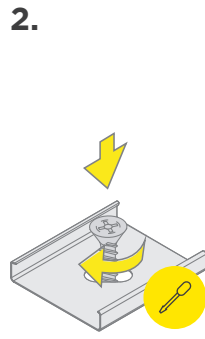
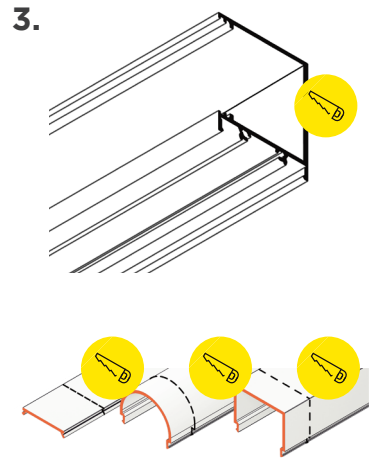


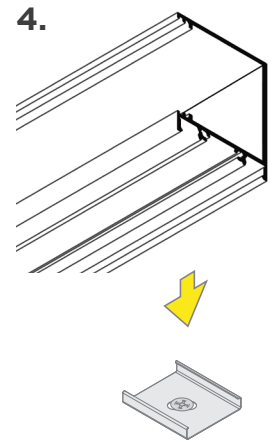
Measure and mark the desired location of the corner mounting clips. Drill a pilot hole for mounting clip fasteners.



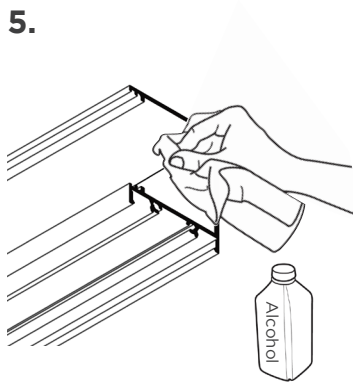
Screw the fasteners through the mounting clips to fix them in place on the surface.



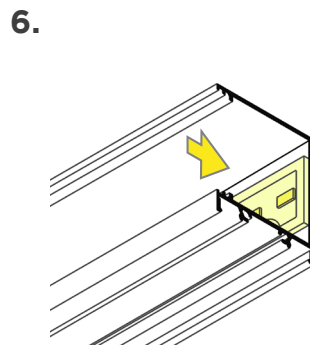
Cut channel and lens to desired (equal) lengths.*



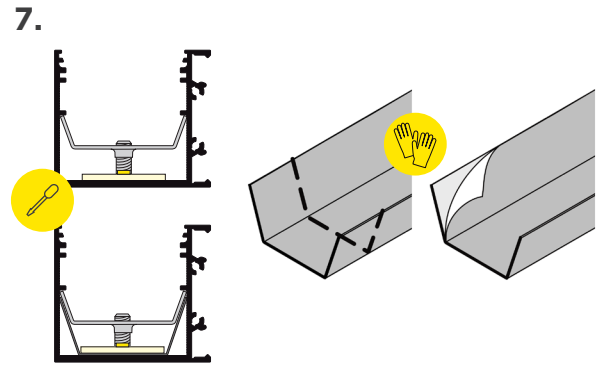
Align the channel above the mounting clips and push down to snap into place.



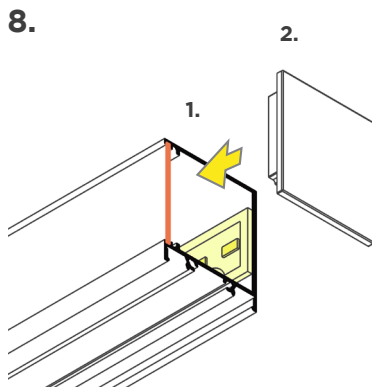
Clean the inside surface of the channel of dust & debris with rubbing alcohol. Dry.



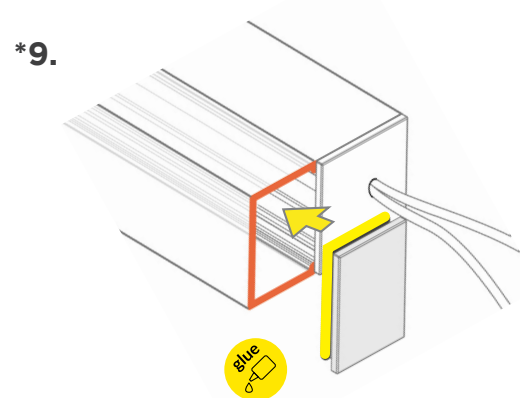
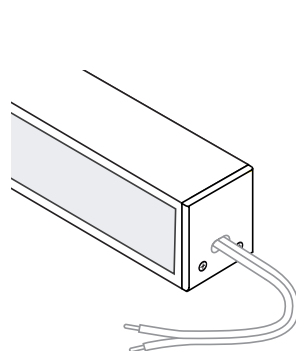
Apply RibbonLyte. Make all necessary electrical connections.



OPTIONAL: Apply ribbon clamp and reflector. Place clamps above ribbon and turn flanges so they hold underneath lip of channel edge. DO NOT place clamp directly on LED diode. Cut reflector to fit. Peel protective layer from reflector & affix above clamps.



Attach lens by sliding or snapping into place. Attach end caps*. Fixture installation complete.



If using raised round or square lens, affix matching lens cap with glue.