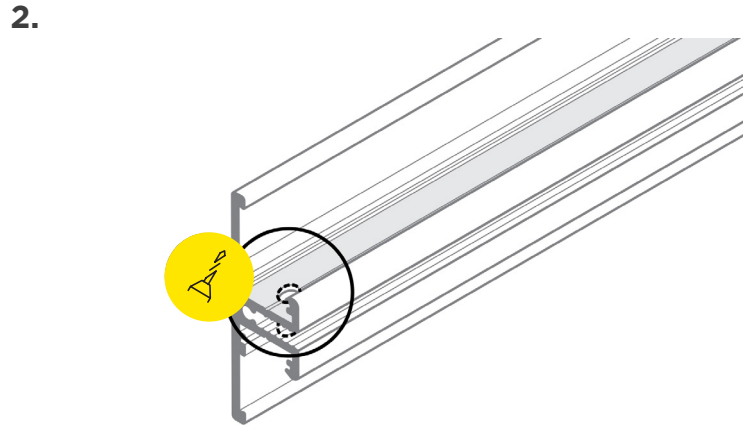
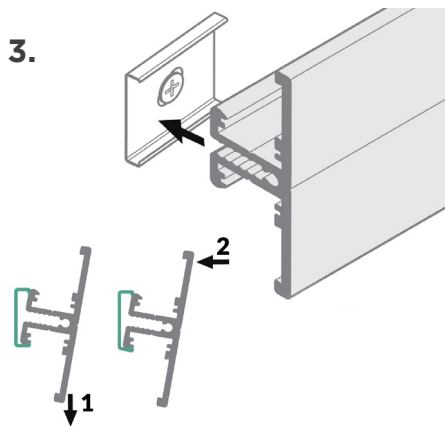


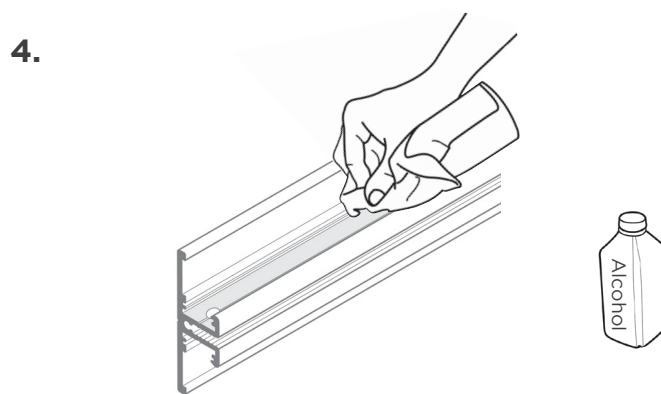
1. Measure and mark the desired location of the mounting clips. Drill a pilot hole for mounting clip fasteners. Screw the fasteners through the mounting clips to fix them in place on the surface.



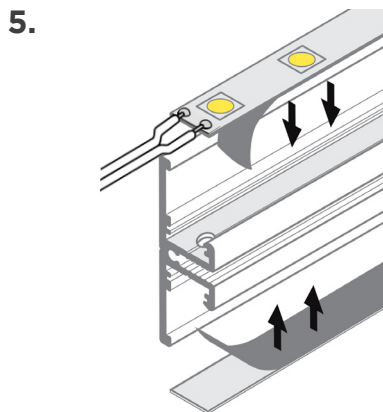
2. Drill holes in inside channel beds for electrical connections.



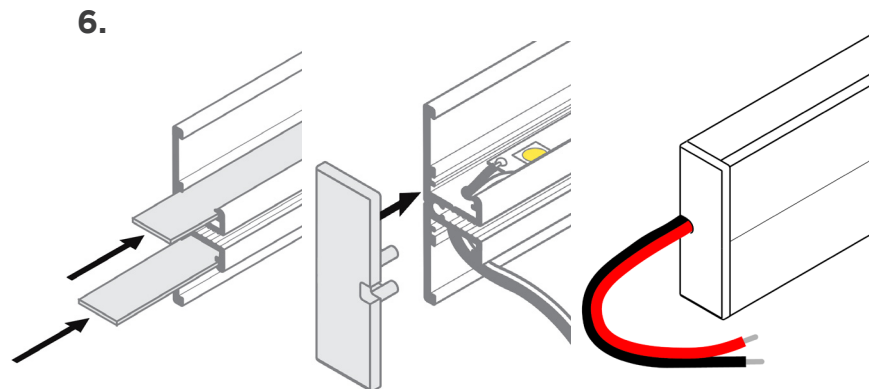
3. Align the channel above the mounting clips and push down to snap into place.



4. Clean the inside surfaces of the channel of dust and debris with rubbing alcohol. Dry.



5. Apply RibbonLyte to appropriate channel beds. Make all necessary electrical connections.



6. Attach lens by sliding or snapping into place. Attach end caps to complete installation.