



## AW40 CHANNEL FIXTURE INSTALLATION GUIDE



**TECHNICAL SUPPORT**  
(+1) 212 629 6830 \*301  
Tech@GENLEDBrands.com

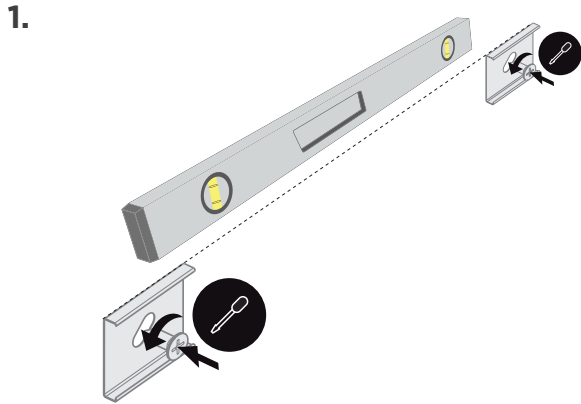


**U.S. PRICING & SALES SUPPORT**  
(+1) 212 629 6830 \*300  
Sales-US@GENLEDBrands.com

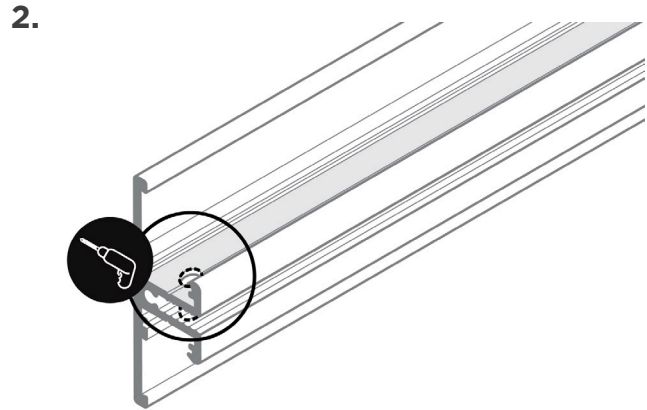


**U.S. CUSTOMER SERVICE**  
(+1) 212 629 6830 \*304  
CustomerService@GENLEDBrands.com

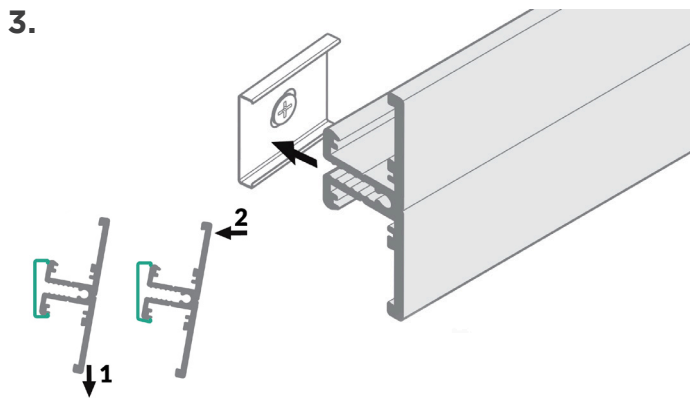
Our US team is in place to answer all of your product questions and help with installations.



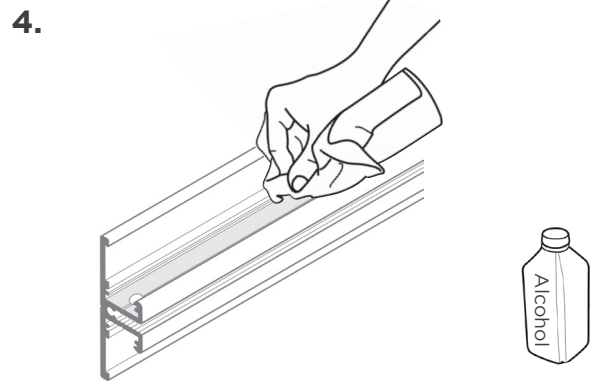
1. Measure and mark the desired location of the mounting clips. Drill a pilot hole for mounting clip fasteners. Screw the fasteners through the mounting clips to fix them in place on the surface.



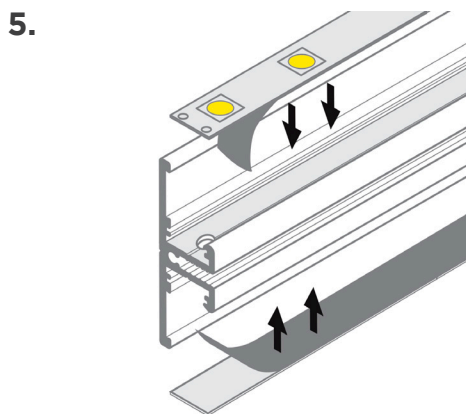
2. Drill holes in inside channel beds for electrical connections.



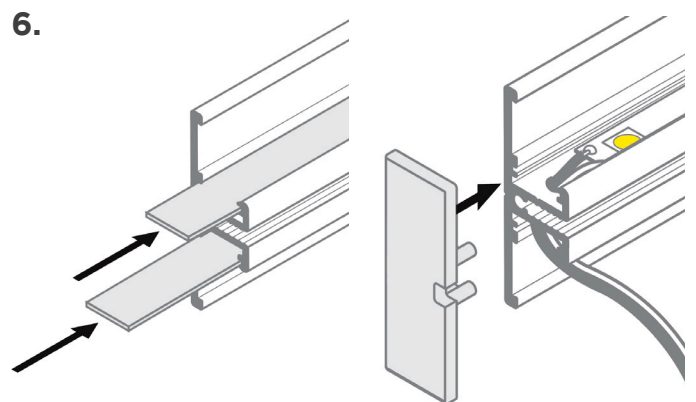
3. Align the channel above the mounting clips and push down to snap into place.



4. Clean the inside surfaces of the channel of dust and debris with rubbing alcohol. Dry.



5. Apply RibbonLyte to appropriate channel beds. Make all necessary electrical connections.



6. Attach lens by sliding or snapping into place. Attach end caps to complete installation.