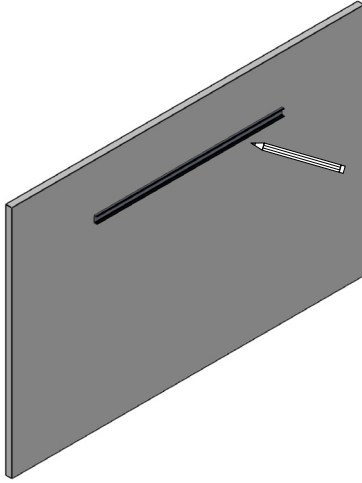
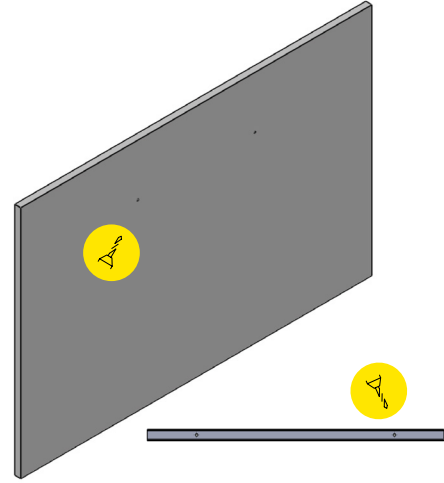




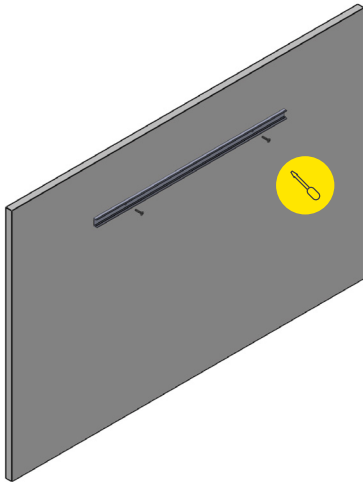
1. Measure and mark the desired path of the channel on the mounting surface. Mark the channel before drilling pilot holes for fasteners and power feed if necessary.
NOTE: Use a countersink drill bit for pilot holes in the channel to interface with a flathead screw.



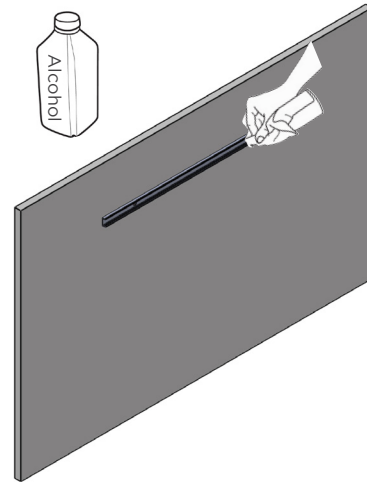
2. Drill pilot holes in the channel and mounting surface. Drill any necessary holes in the mounting surface for power-feed wire pass throughs.



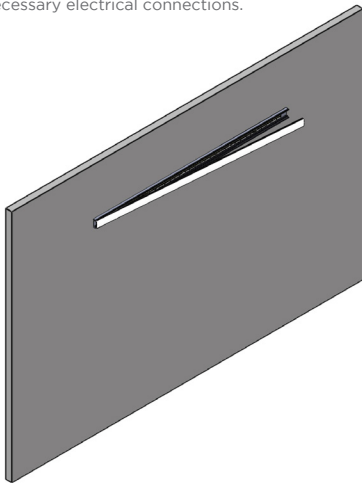
3. Align the pilot holes in the channel and secure it to the mounting surface with flathead screws.
a. Ensure that proper hardware and mounting methods are used for the specific mounting
b. Ensure that flathead screws are used to prevent any interference with RibbonLyte installation.



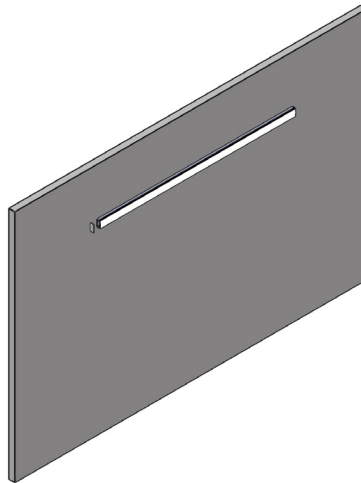
4. Using a cloth and rubbing alcohol, clean the interior channel mounting surface so that it is free of dust and debris.



5. After the surface has dried, apply RibbonLyte to the mounting surface inside the channel. Make all necessary electrical connections.



6. Insert the lens by snapping or sliding it into place on the channel.



7. Fixture installation is complete.

