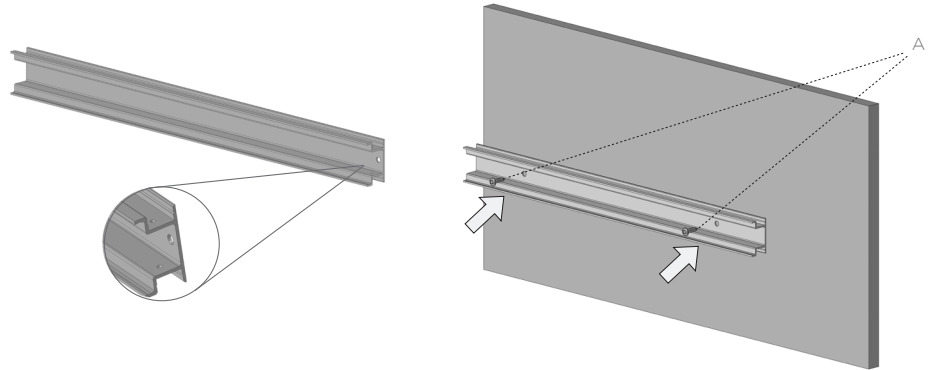
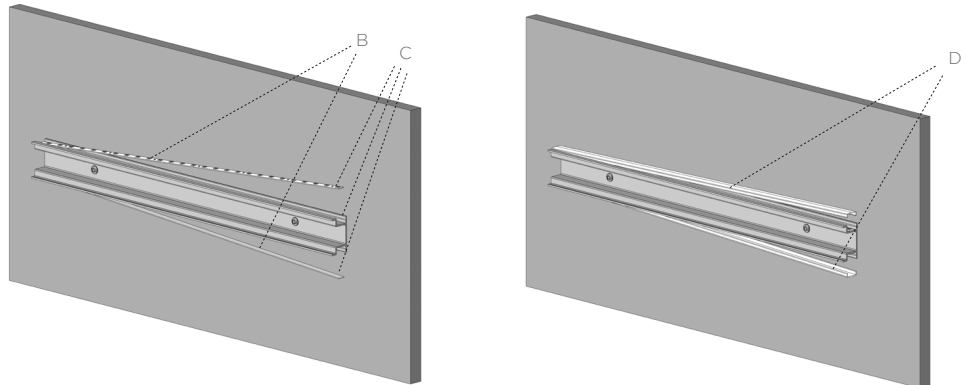




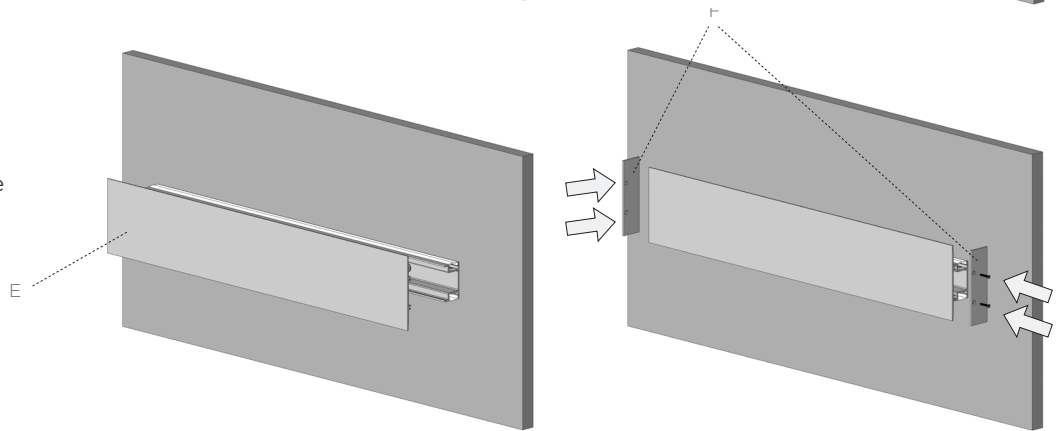
1. Drill holes in the center face and both PCB surfaces for power wire feed. Drill holes in the center face of the channel and mount to surface with screws.



2/3. Insert RibbonLyte (B) and make all necessary electrical connections (C). Attach lenses (D).



4/5. Place the front cover (E) over the mounted wall fixture and fasten both end caps (F) to the front cover with screws.



6. Installation complete.

