



ROUND12 CHANNEL FIXTURE INSTALLATION GUIDE



TECHNICAL SUPPORT
(+1) 212 629 6830 *301
Tech@GENLEDBrands.com



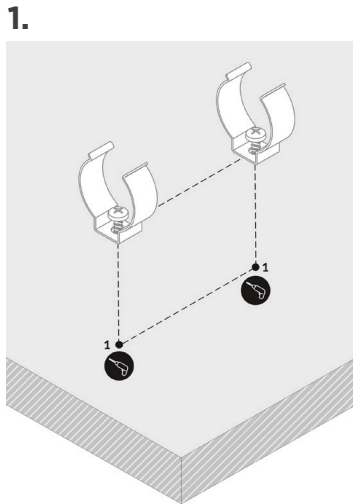
U.S. PRICING & SALES SUPPORT
(+1) 212 629 6830 *300
Sales-US@GENLEDBrands.com



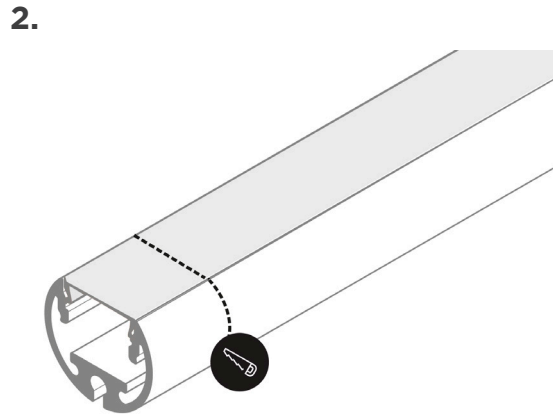
U.S. CUSTOMER SERVICE
(+1) 212 629 6830 *304
CustomerService@GENLEDBrands.com

Our US team is in place to answer all of your product questions and help with installations.

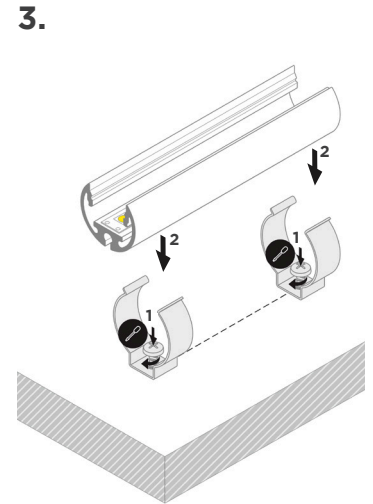
WITH STAINLESS STEEL MOUNTING CLIPS



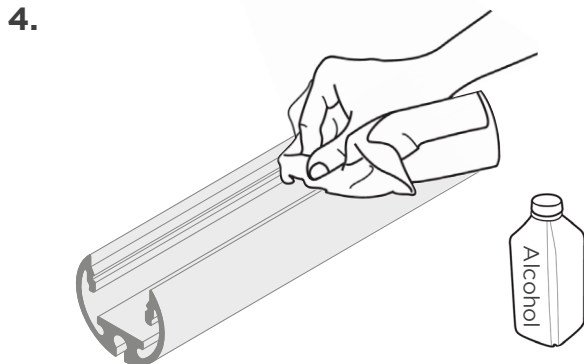
1. Measure, align and mark locations for mounting clips.



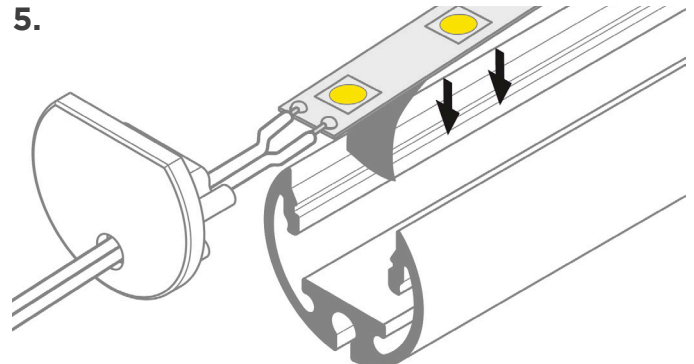
2. Cut channel and lens to desired (equal) lengths.



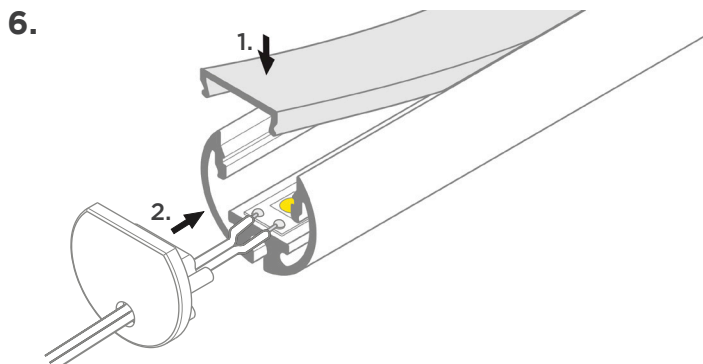
3. Affix mounting clips with fastener. Attach fixture on mounting clips.



4. Clean the inside surface of the channel of dust and debris with rubbing alcohol. Dry.

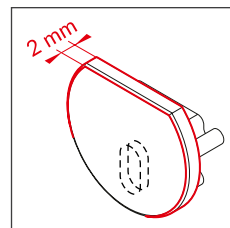


5. Apply RibbonLyte and make all electrical connections.

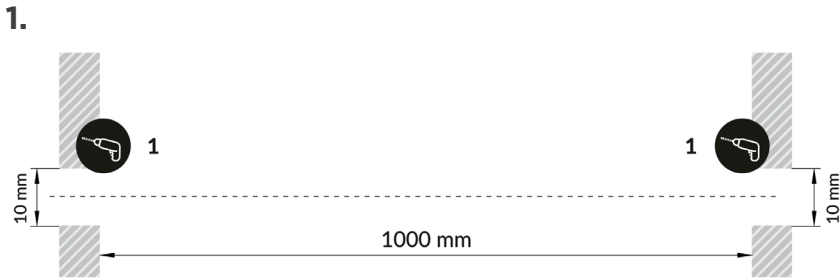


6. Click or slide lens into place. Apply end caps to complete installation.

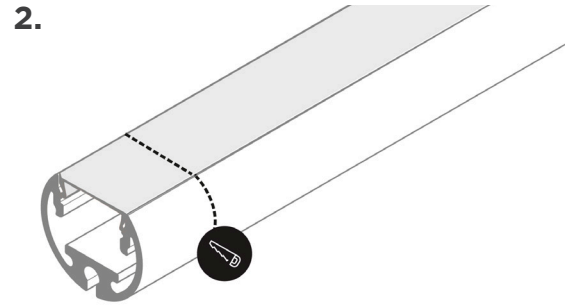
NOTE: There is a marked space in each end cap to drill for electrical connections. Each end cap adds 2 mm to length of fixture.



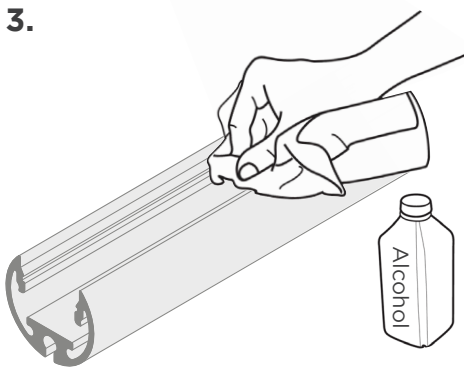
WITH ROD MOUNT



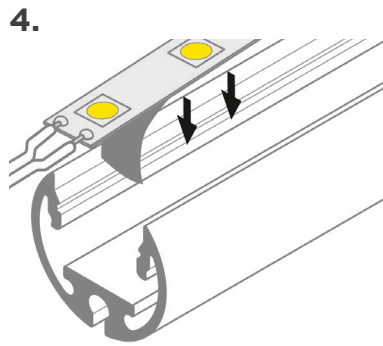
1. Measure, align and mark locations for rod mount. Cut 10 mm round groove in mounting surfaces.



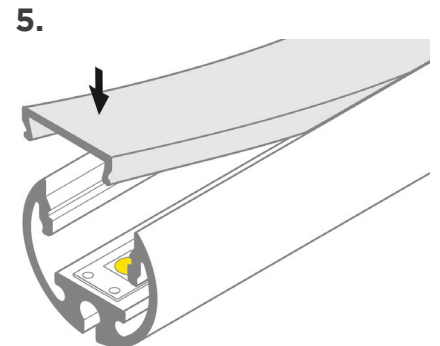
2. Cut channel and lens 20 mm shorter than distance between mounting surfaces.



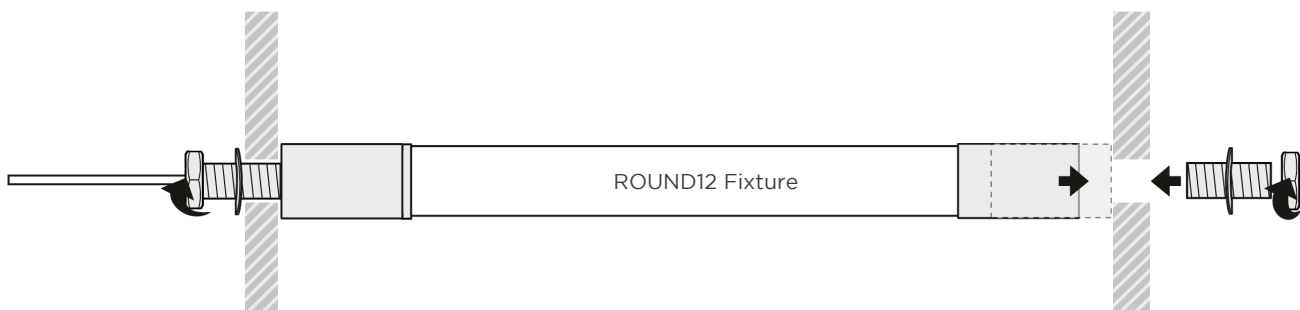
3. Clean the inside surface of the channel of dust and debris with rubbing alcohol. Dry.



4. Apply RibbonLyte and make all electrical connections.

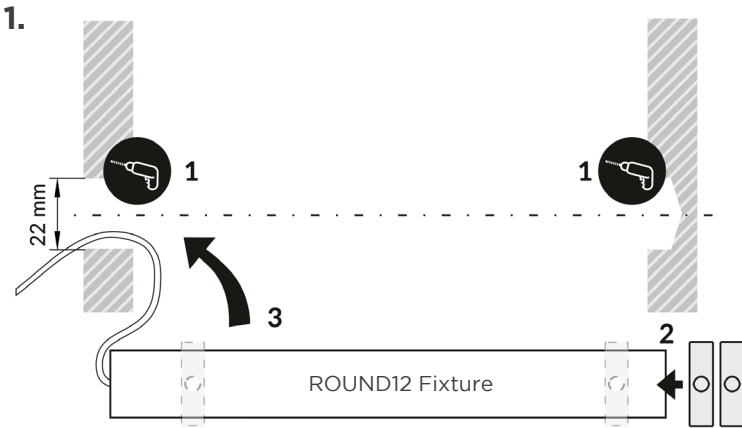


5. Click or slide lens into place.

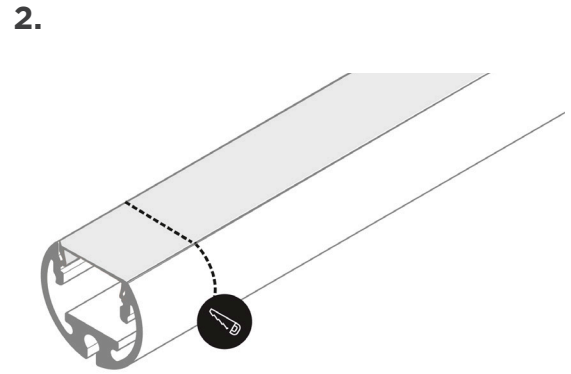


6. Attach threaded end to power side of fixture, and then attach threaded end to non-power side of fixture. Adjust threads to fit. Fixture installation complete.

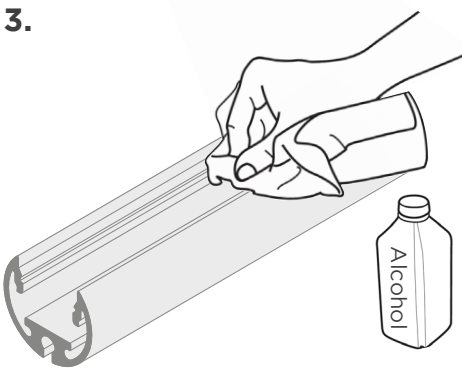
WITH RING HOLDER



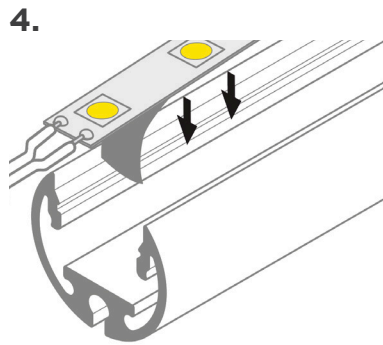
1. Measure, align and mark mounting surfaces for application (may require more depth on power supply side). Cut 22 mm round groove about 6 mm deep in mounting surfaces. Affix ring holders near ends on either side.



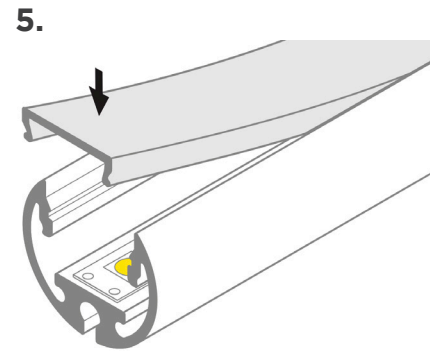
2. Cut channel and lens 8 mm longer than distance between mounting surfaces. (Remember end caps add 2 mm to each side.)



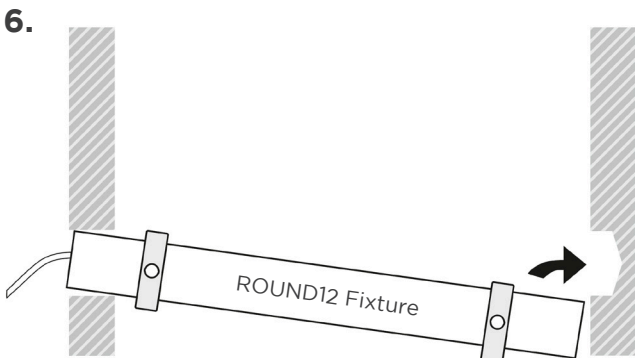
3. Clean the inside surface of the channel of dust and debris with rubbing alcohol. Dry.



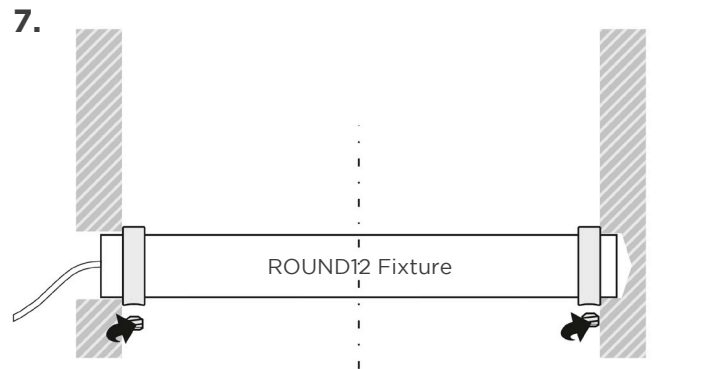
4. Apply RibbonLyte and make all electrical connections.



5. Click or slide lens into place.



6. Slide fixture into round recessed groove on power side first, then on non-power side.



7. Align to center and adjust ring holders flush to mounting surface. Fixture installation complete.

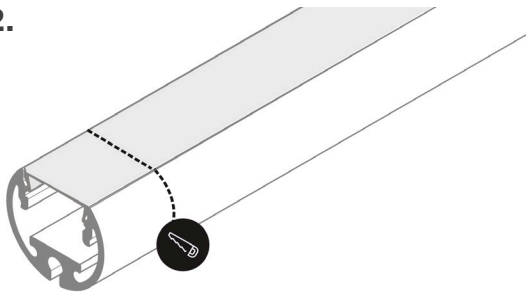
WITH CHROME ROD EXTENSION ARM WITH THREAD

1.



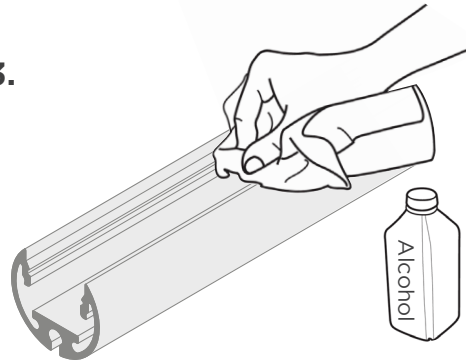
Measure, align and mark spots to attach threaded double holders to ceiling. Drill hole for rod extension arm connector in mounting surface.

2.



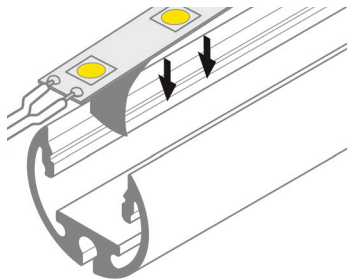
Cut channel and lens to desired (equal) lengths.

3.



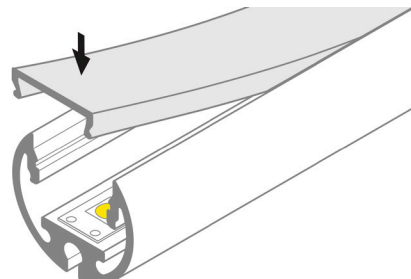
Clean the inside surface of the channel of dust and debris with rubbing alcohol. Dry.

4.



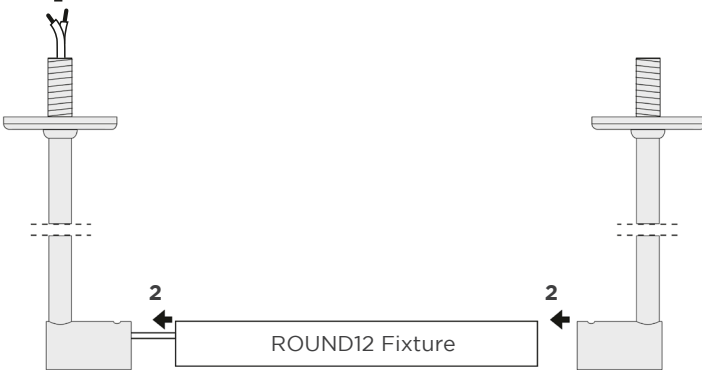
Apply RibbonLyte and make all electrical connections.

5.



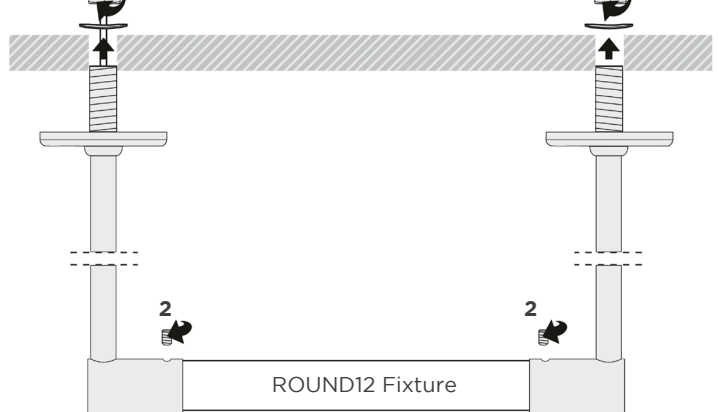
Click or slide lens into place.

6. ↑ 1



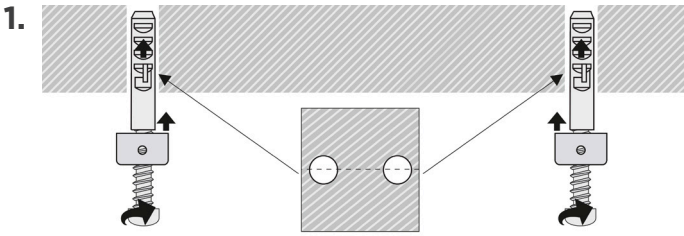
Make power supply connection on power supply side of rod extension arms, and then insert both ends of fixture into rod extension arms.

7. ↑ 1

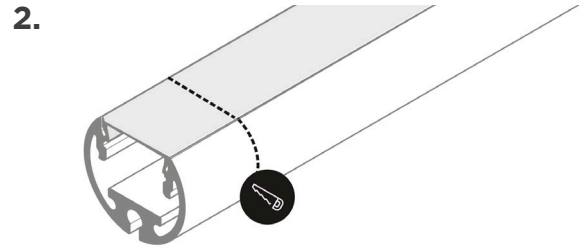


Secure rod extension arms to mounting surface with washers and bolts. Check alignment of lighting face and secure fixture to rod extension arms with fasteners. Fixture installation complete.

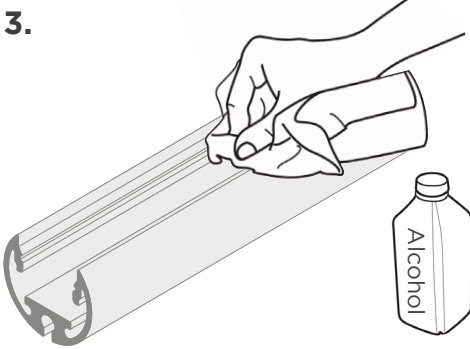
WITH CHROME ROD EXTENSION ARM



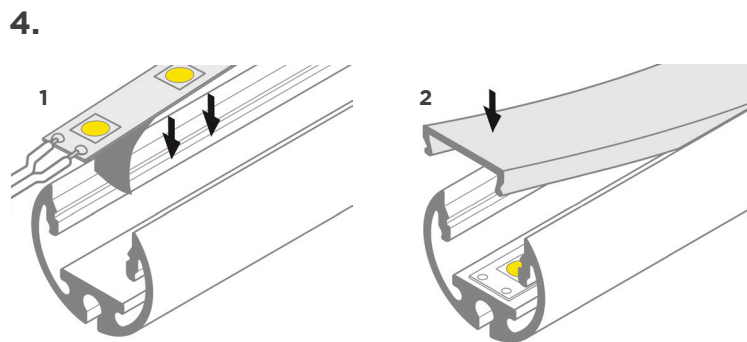
Measure, align and mark spots to attach double holders to soffit ceiling. Drill hole for anchor connectors in the mounting surface. Attach metal plate with screws on both sides.



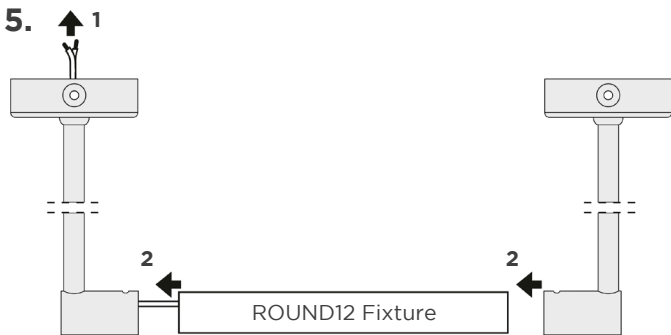
Cut channel and lens to desired (equal) lengths.



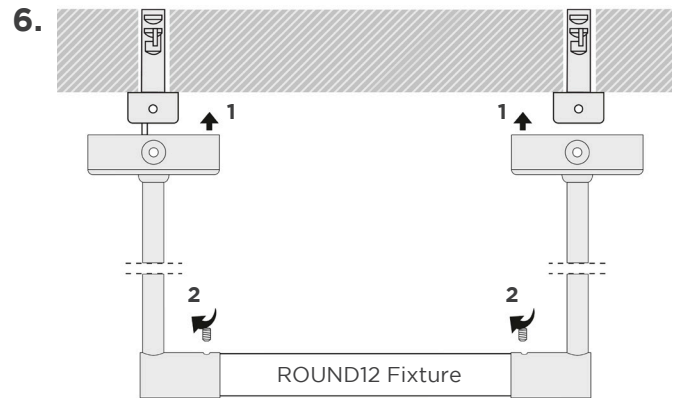
Clean the inside surface of the channel of dust and debris with rubbing alcohol. Dry.



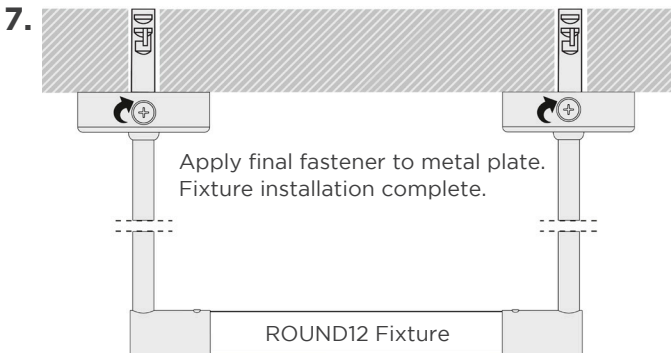
Apply RibbonLyte and make all electrical connections. Click or slide lens into place.



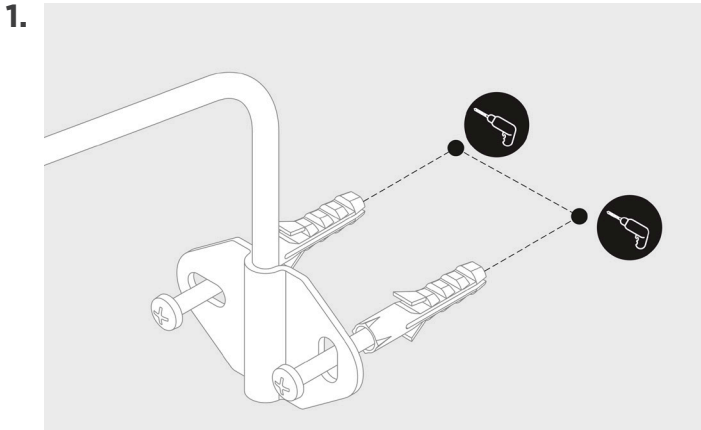
Make power supply connection on power supply side of rod extension arms, and then insert both ends of fixture into rod extension arms.



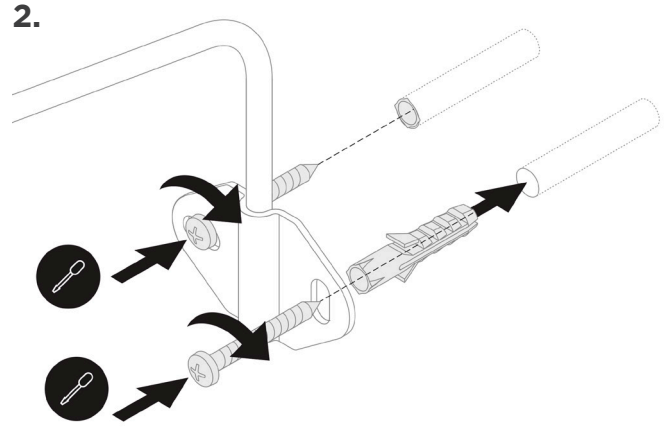
Check alignment of lighting face and secure fixture to rod extension arms with fasteners. Balance and tighten connections at installation surface.



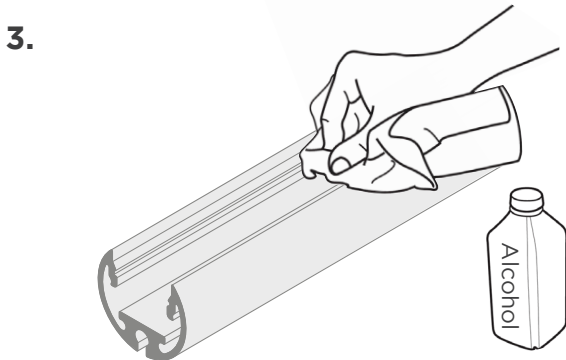
WITH WALL-MOUNTED EXTENSION ARM



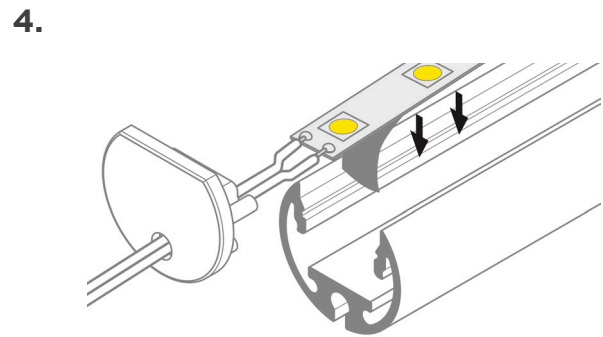
Measure, align and mark spots to attach wall-mounted extension arm. Drill hole for anchor connectors in the mounting surface.



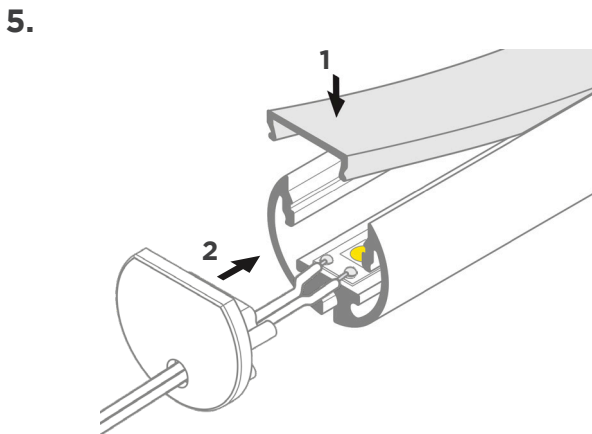
Attach metal plate with screws on both sides.



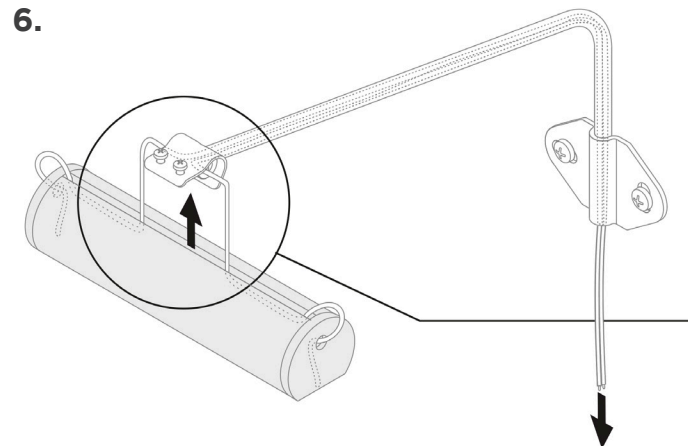
Clean the inside surface of the channel of dust and debris with rubbing alcohol. Dry.



Apply RibbonLyte and make all electrical connections.

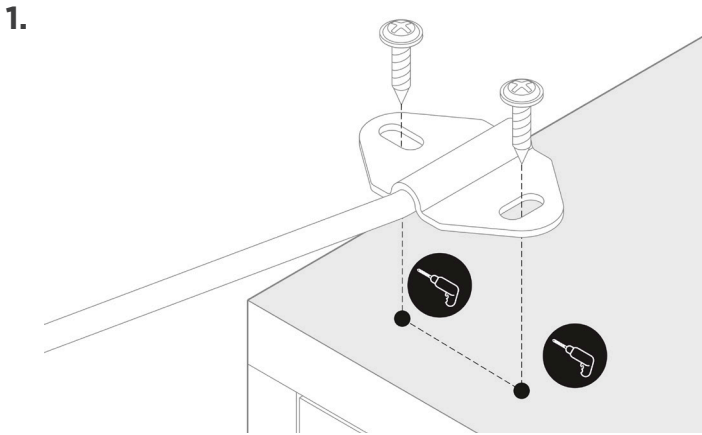


Click or slide lens into place, and then attach end caps.

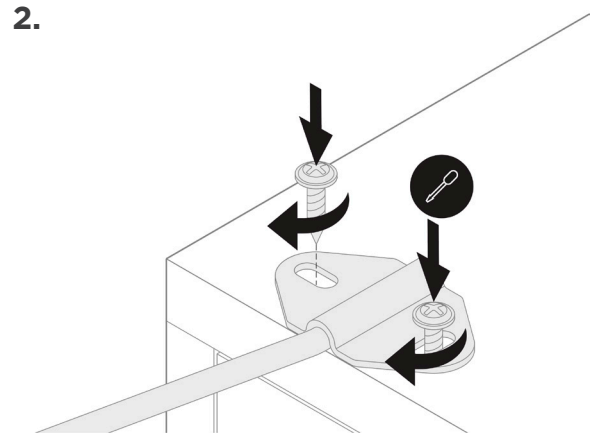


Make electrical connection from fixture through extension arm. Attach fixture to exposed end of extension arm with two screws. Fixture installation complete.

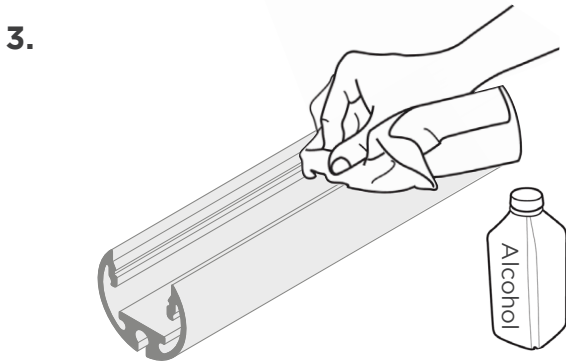
WITH TOP-MOUNTED EXTENSION ARM



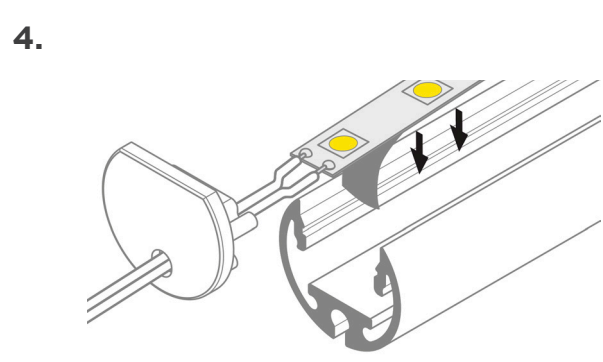
Measure, align and mark spots to attach top-mounted extension arm. Drill hole for anchor connectors in the mounting surface.



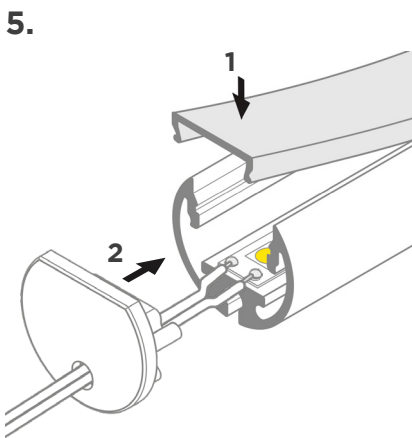
Attach metal plate with screws on both sides.



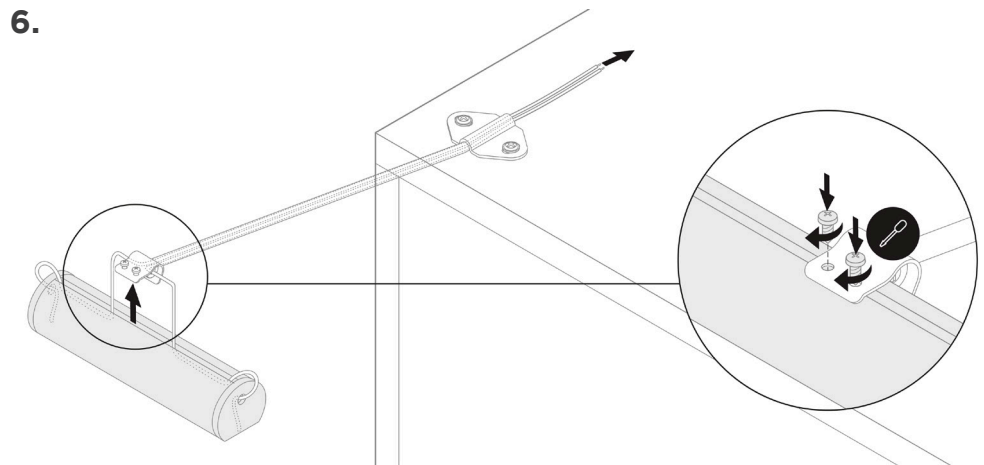
Clean the inside surface of the channel of dust and debris with rubbing alcohol. Dry.



Apply RibbonLyte and make all electrical connections.



Click or slide lens into place, and then attach end caps.



Make electrical connection from fixture through extension arm. Attach fixture to exposed end of extension arm with two screws. Fixture installation complete.