



ROUND20 CHANNEL FIXTURE INSTALLATION GUIDE



TECHNICAL SUPPORT
(+1) 212 629 6830 *301
Tech@GENLEDBrands.com



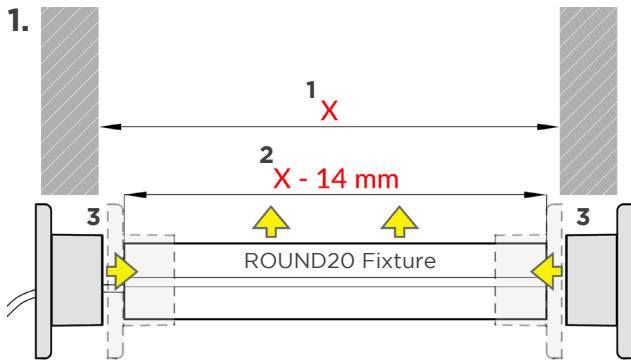
U.S. PRICING & SALES SUPPORT
(+1) 212 629 6830 *300
Sales-US@GENLEDBrands.com



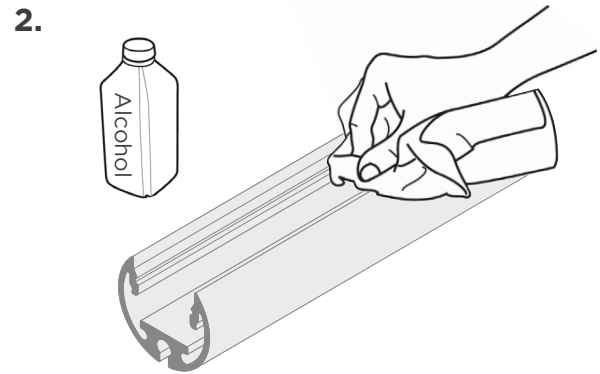
U.S. CUSTOMER SERVICE
(+1) 212 629 6830 *304
CustomerService@GENLEDBrands.com

Our US team is in place to answer all of your product questions and help with installations.

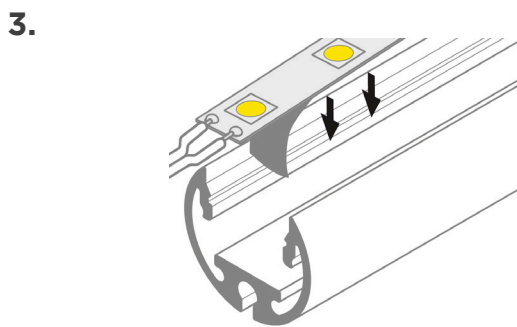
WITH SIDE HOLDER



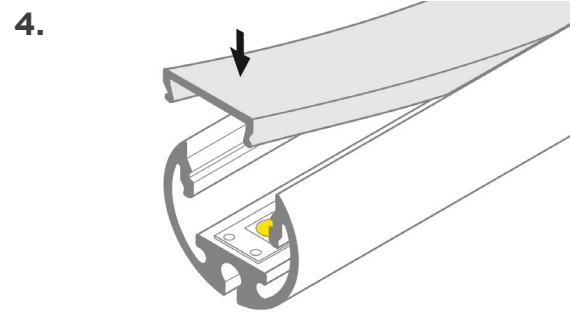
Measure and align wall mounts. Cut channel and lens to equal lengths, 14 mm less than distance between mounting surfaces.



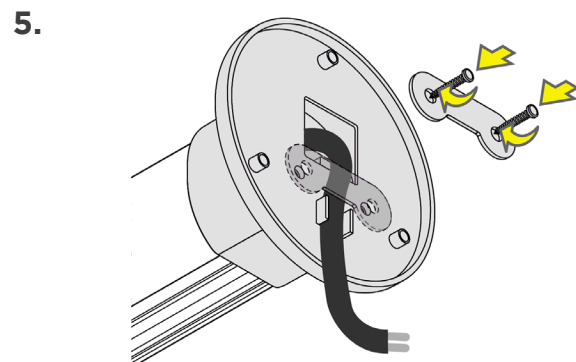
Clean the inside surface of the channel of dust and debris with rubbing alcohol. Dry.



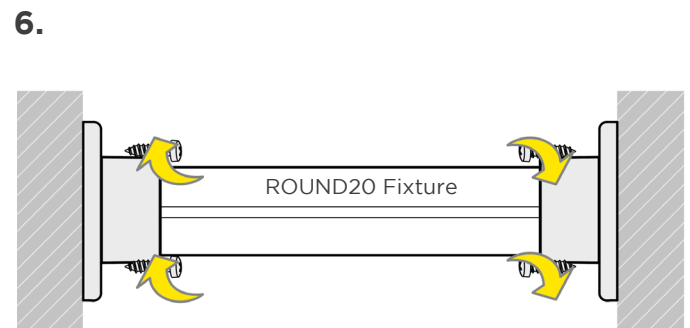
Apply RibbonLyte and make all electrical connections.



Click or slide lens into place.

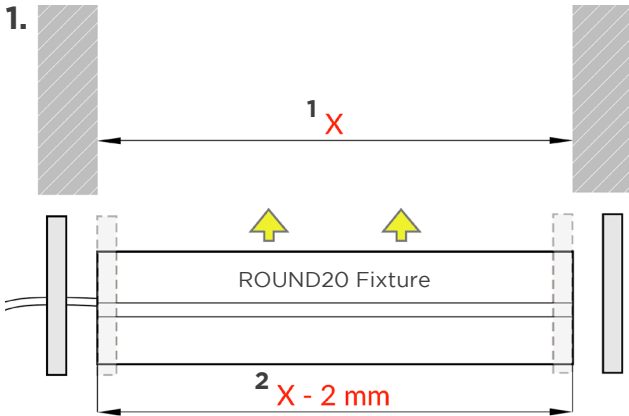


Attach side holder to each end. Secure wires by attaching small metal plate on each end.

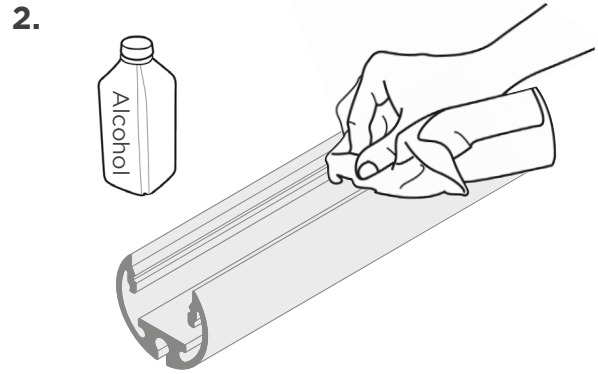


Secure to wall with fasteners. Fixture installation complete.

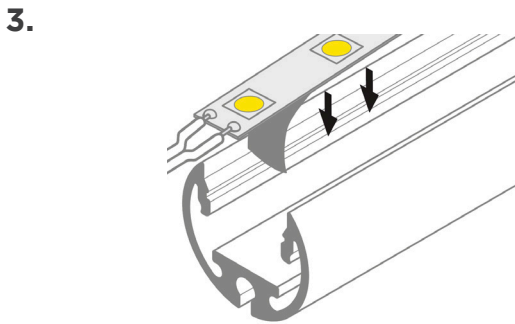
WITH RING HOLDER



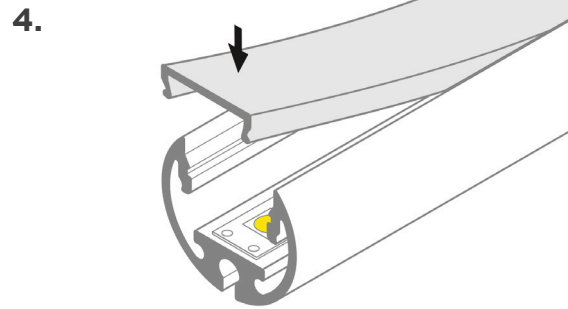
Measure and align wall mounts. Cut channel and lens to equal lengths, 2 mm less than distance between mounting surfaces.



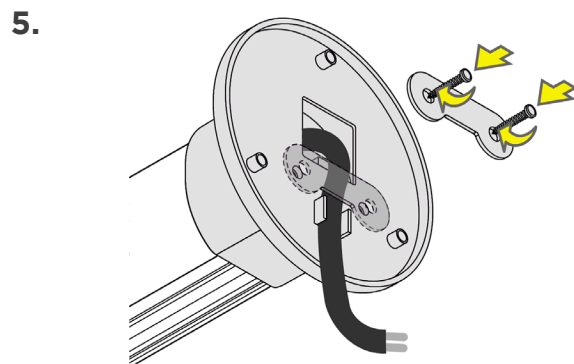
Clean the inside surface of the channel of dust and debris with rubbing alcohol. Dry.



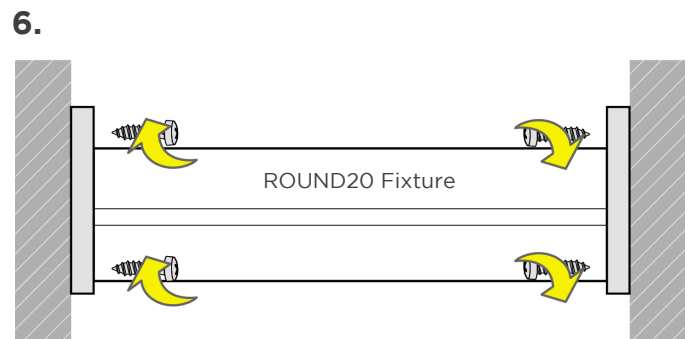
Apply RibbonLyte and make all electrical connections.



Click or slide lens into place.

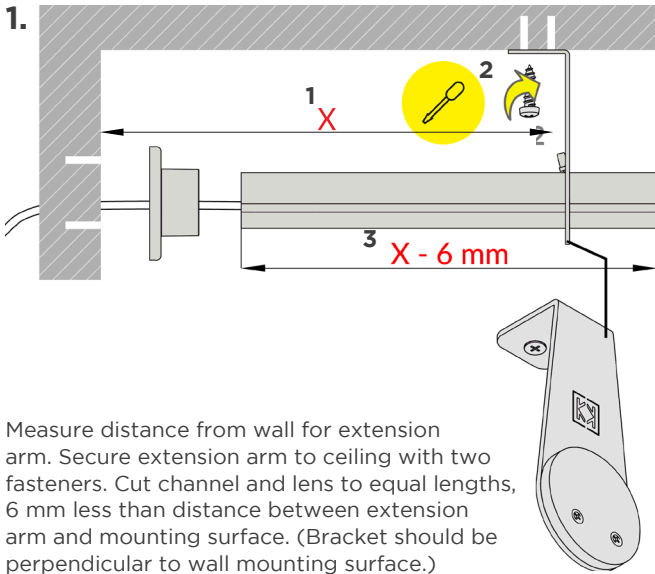


Attach ring holder to each end. Secure wires by attaching small metal plate on each end.

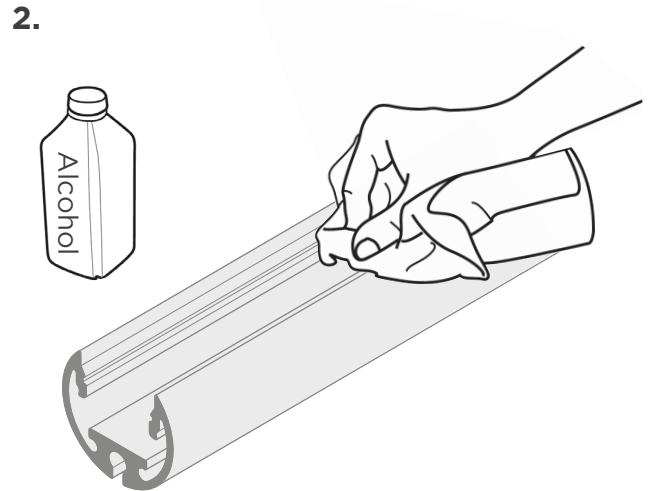


Secure to wall with fasteners. Fixture installation complete.

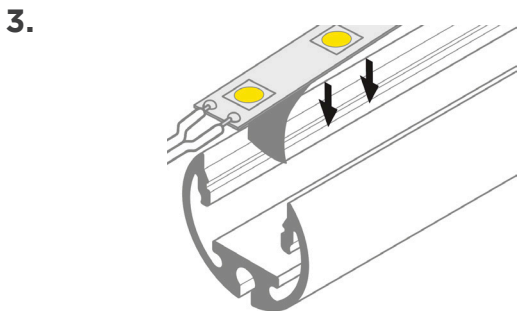
SINGLE EXTENSION ARM SIDE HOLDER



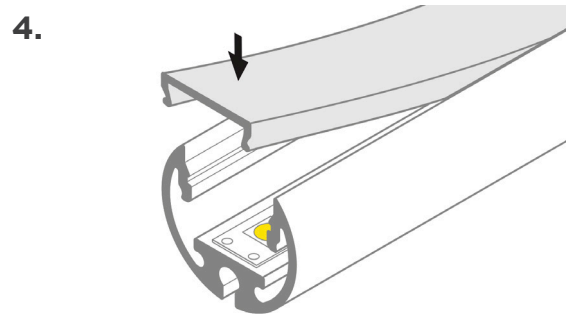
Measure distance from wall for extension arm. Secure extension arm to ceiling with two fasteners. Cut channel and lens to equal lengths, 6 mm less than distance between extension arm and mounting surface. (Bracket should be perpendicular to wall mounting surface.)



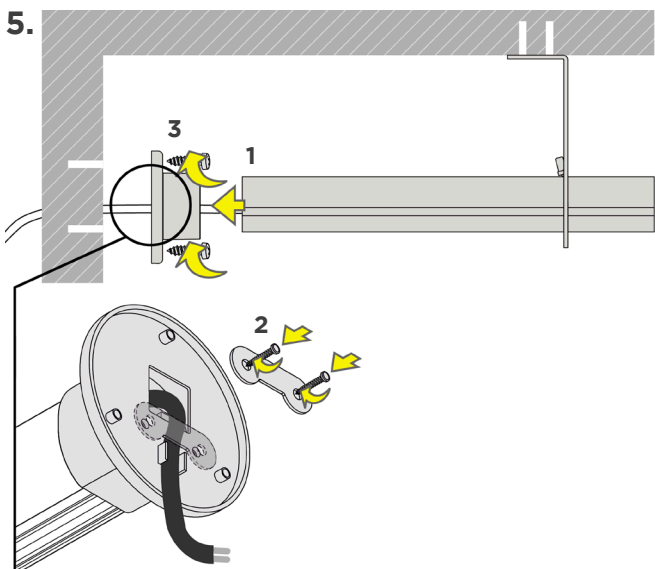
Clean the inside surface of the channel of dust and debris with rubbing alcohol. Dry.



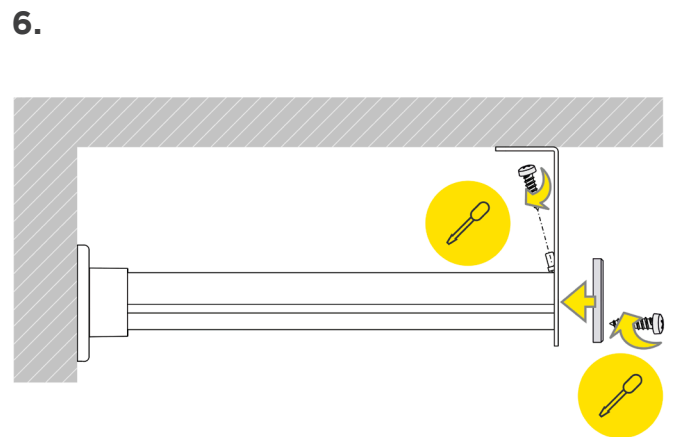
Apply RibbonLyte and make all electrical connections.



Click or slide lens into place.

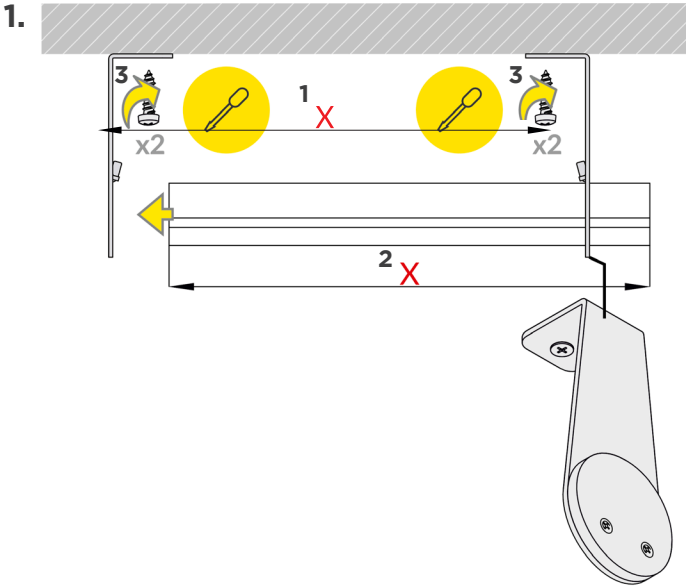


Attach fixture to side holder, and then secure wires by attaching small metal plate on each end. Secure side holder to wall with fasteners.

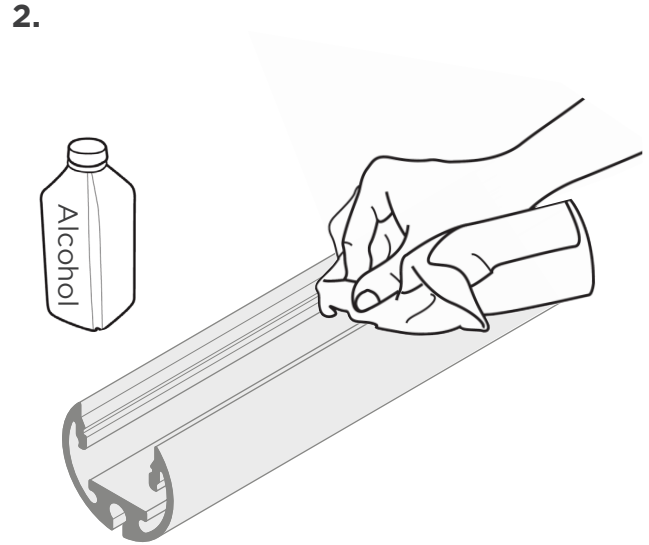


Attach extension arm end cap from outside of extension arm. Fixture installation complete.

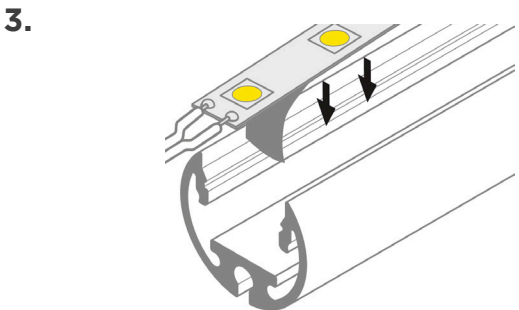
WITH DOUBLE EXTENSION ARM



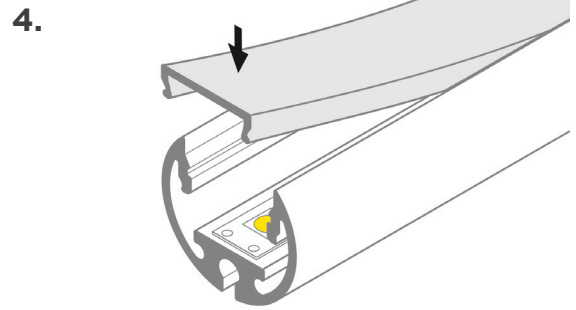
Measure, align and mark spots to attach extension arms to ceiling. Cut channel and lens to desired (equal) lengths. Secure extension arms to ceiling with fasteners.



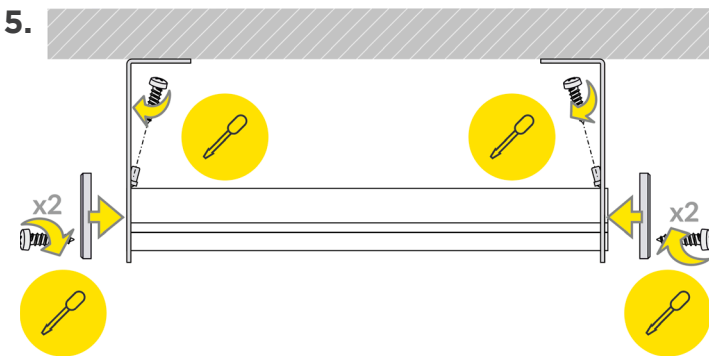
Clean the inside surface of the channel of dust and debris with rubbing alcohol. Dry.



Apply RibbonLyte and make all electrical connections.



Click or slide lens into place.



Slide fixture through mounting arm and attach end caps from outside of each extension arm. Fixture installation complete.