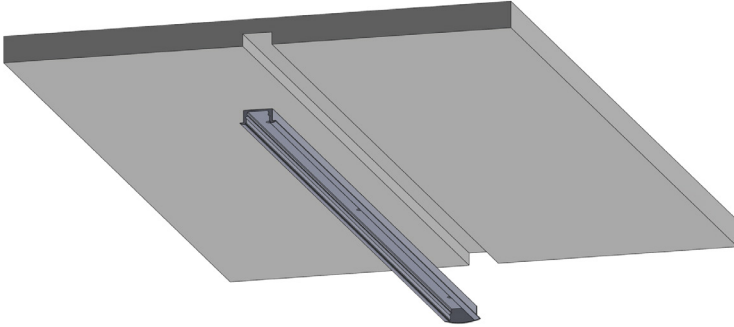
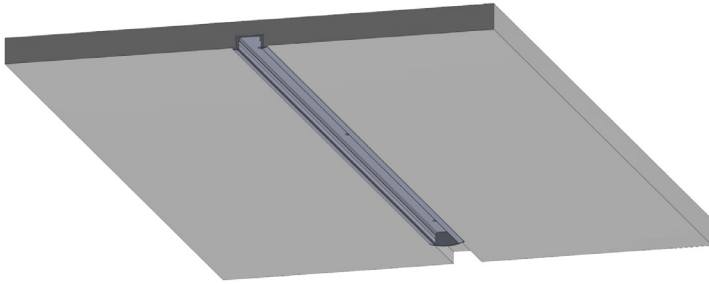




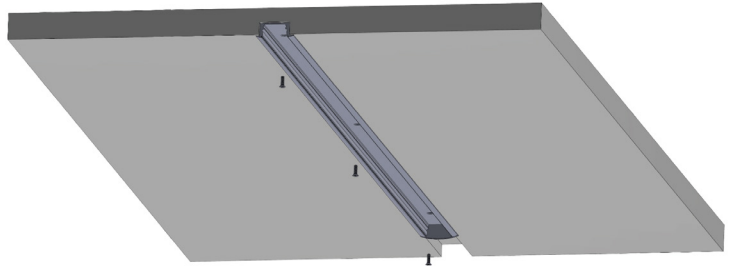
1. Pre-drill holes in the recessed channel for wire pass through and fasteners.
Measure the size of the channel and cut a recess in the surface to match the size of the channel.



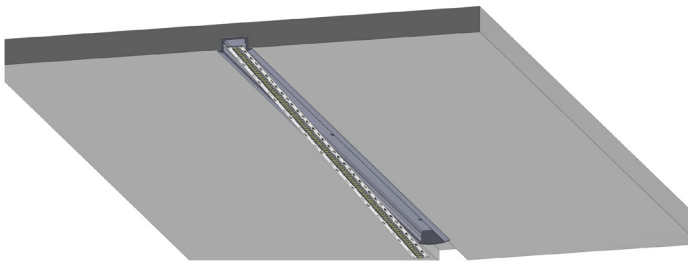
2. Place the channel into the recess so that it fits snug with the flanges over the lip of the surface.



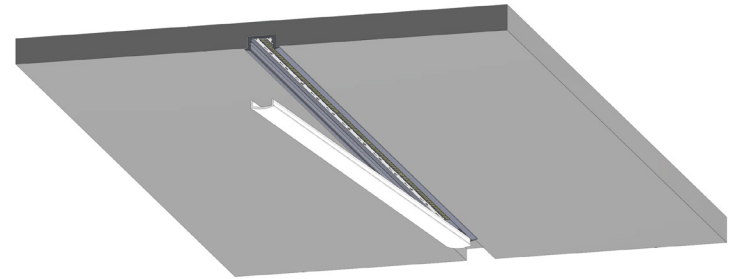
3. Secure the fixture into place with the fasteners. If fasteners cannot be used then a liquid adhesive can be used in the recess before placing the channel.



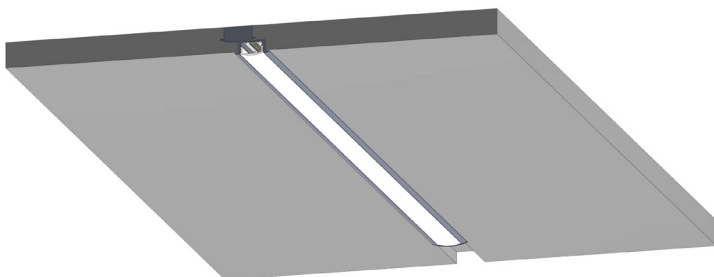
4. Clean the inside of the channel free of dirt and debris with rubbing alcohol and then place the ribbonlyte inside of the channel. Make all necessary electrical connections.



5. Place the lens onto the channel



6. Place the end cap on the channel.



7. Recessed Channel installation complete

