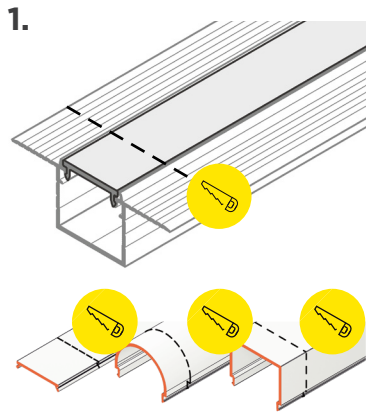
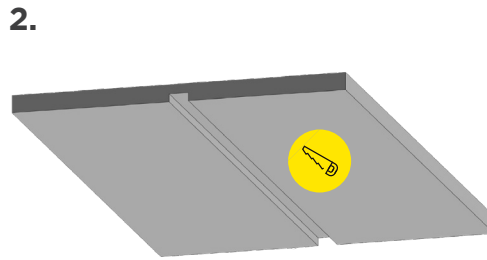


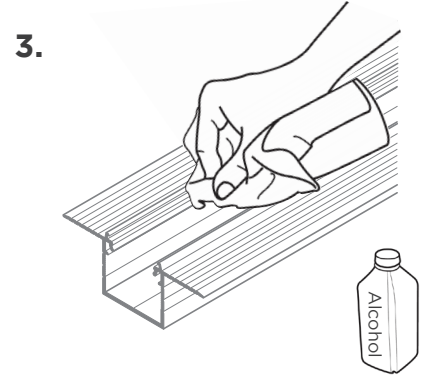
***NOTE:** Cut channel and lens to same length. Each end cap, if applied, adds 2 mm to length of fixture.



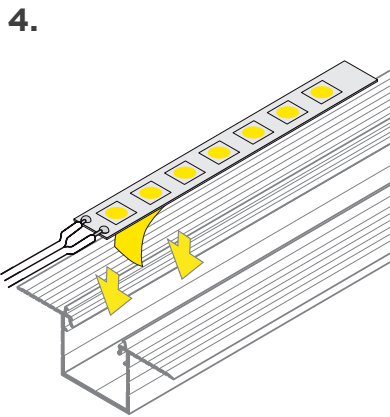
Cut channel and lens to desired length.



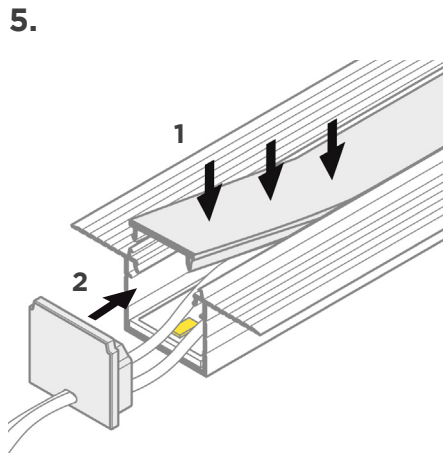
Measure the size of the channel and mounting clips and cut a recess into the surface to match the size of the channel and mounting clips.



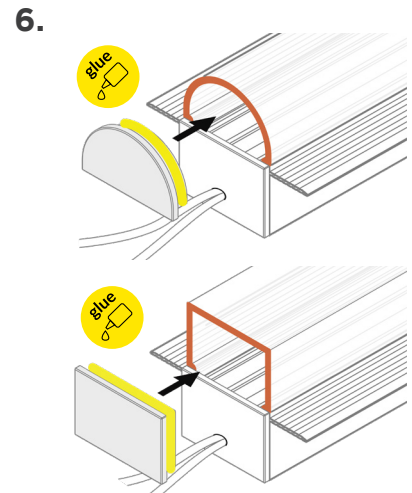
Clean the inside surface of the channel of dust and debris with rubbing alcohol. Dry.



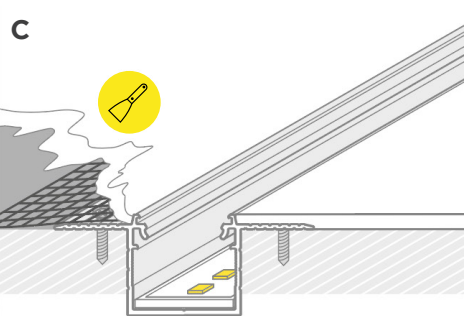
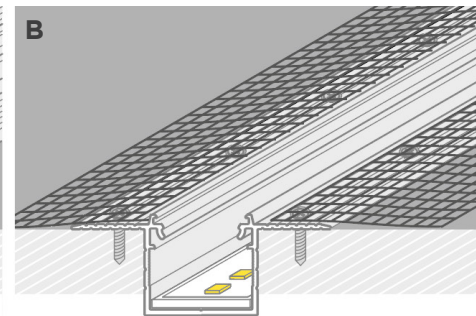
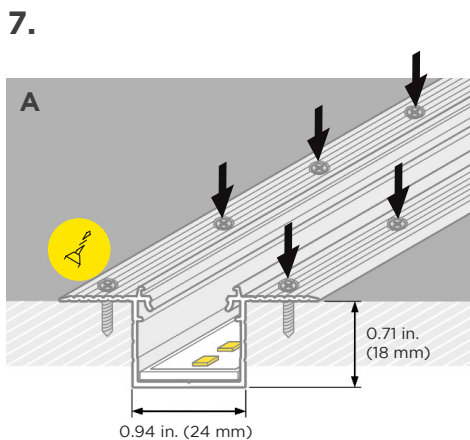
Apply RibbonLyte. Make all necessary electrical connections. (Feed through end caps as needed.)



Attach lens by sliding or snapping into place. Attach end caps.



If using raised round or square lens, affix matching lens cap with glue.



Place fixture in recess and attach by screwing flanges to surface. Mud-in to achieve flush finish. Fixture installation complete.