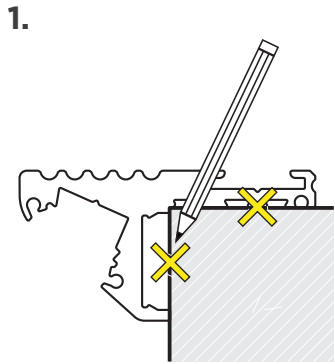
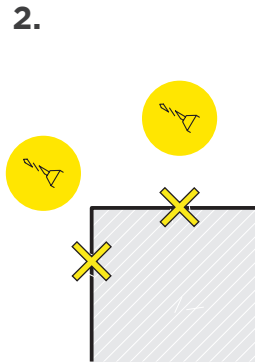


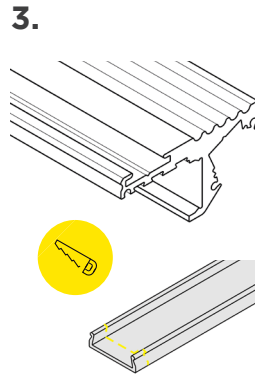
**NOTE:** End caps each add 2 mm to the length of the fixture.



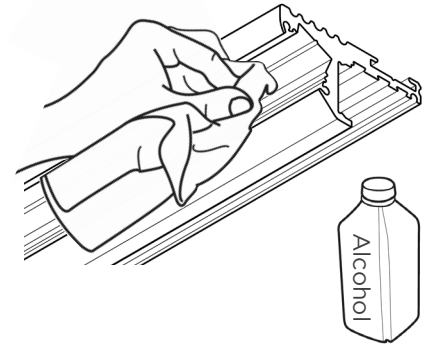
Measure and mark desired fit for step lighting fixture.



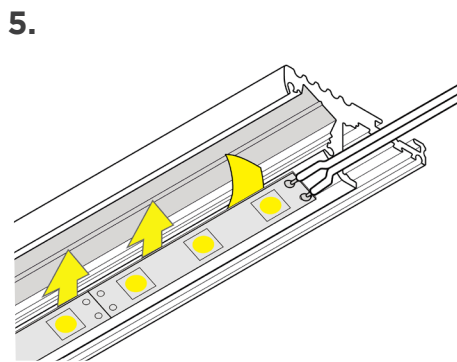
Drill step edge to place anchors for screws.



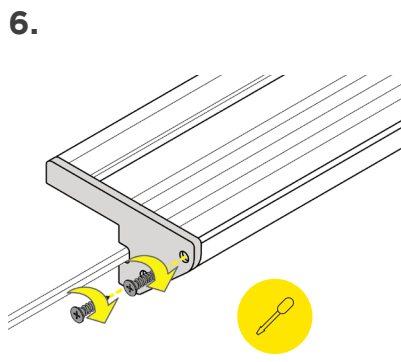
Cut channel and lens to desired (equal) lengths.



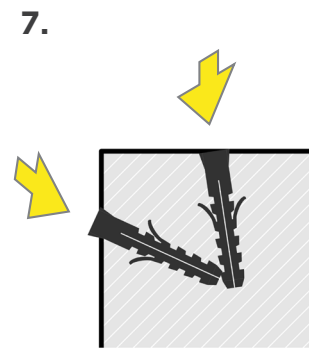
Clean the applicable RibbonLyte mounting surfaces in the channel of dust and debris with rubbing alcohol. Dry.



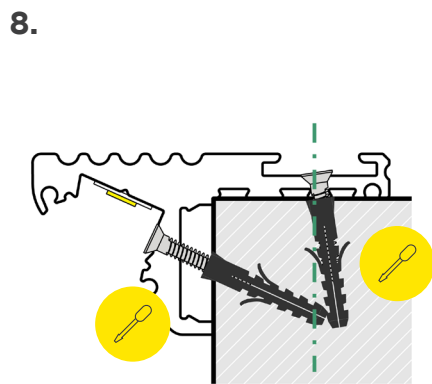
Apply RibbonLyte to chosen surfaces and make all necessary electrical connections. (Run through end caps as needed.)



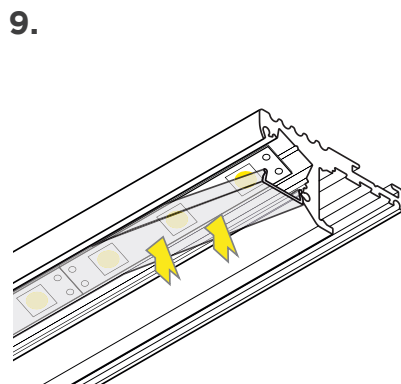
Attach end caps with screws.



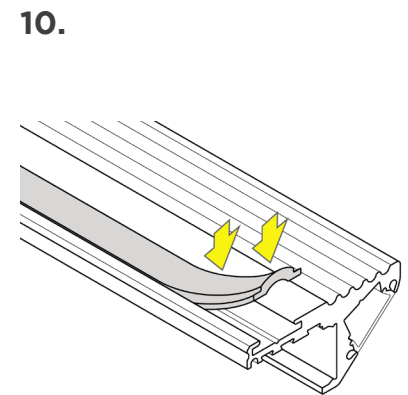
Place anchors in step edge.



Mount fixture to step edge. From the top of fixture, apply screws at slight angle going away from front edge of step. From front of fixture, apply screws at slight downward angle provided by mounting surface.

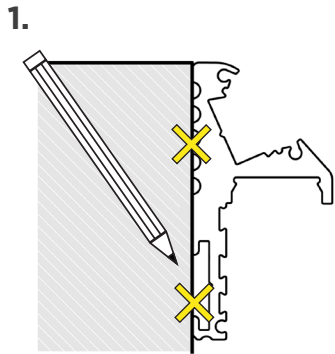


Attach lens by sliding or snapping into place.

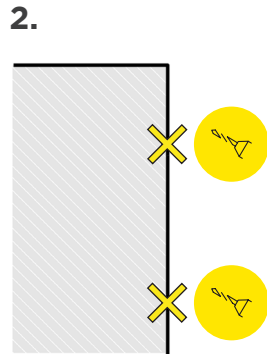


Attach anti-slip cover to top of step.

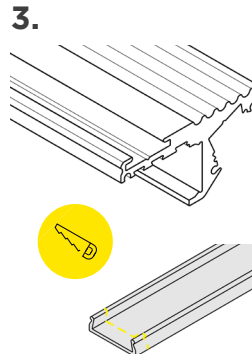
**NOTE:** End caps each add 2 mm to the length of the fixture.



1. Measure and mark desired fit for step lighting fixture.



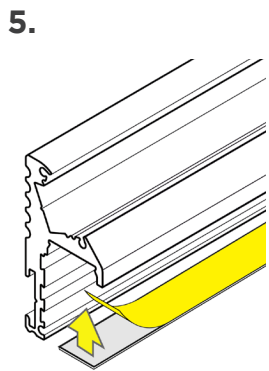
2. Drill step edge to place anchors for screws.



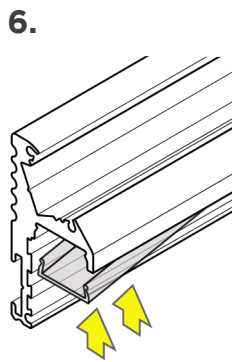
3. Cut channel and lens to desired (equal) lengths.



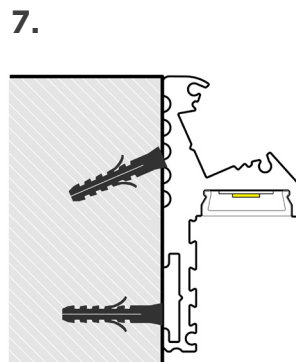
4. Clean the bottom RibbonLyte mounting surface in the channel of dust and debris with rubbing alcohol. Dry.



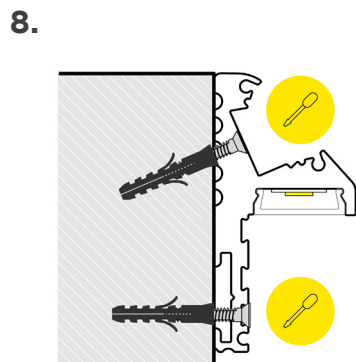
5. Apply RibbonLyte to lower mounting surface and make all necessary electrical connections. (Run through end caps as needed.)



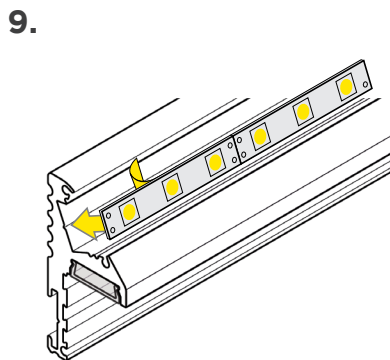
6. Attach lens to lower lighting channel by sliding or snapping into place.



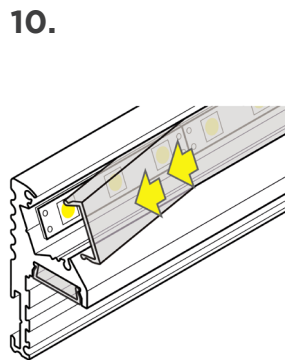
7. Place anchors in step edge. Align top of fixture with top of step edge.



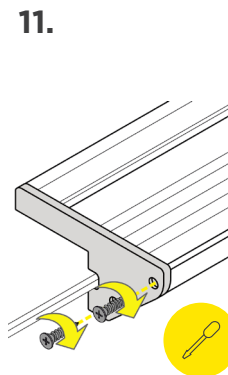
8. Mount fixture to step edge. From the front top of fixture, apply screws at slight angle going down into the front edge of step. From front bottom of fixture, apply screws straight into mounting surface.



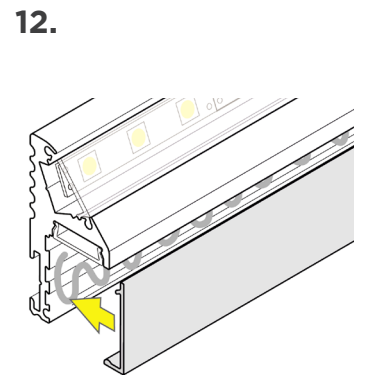
9. Apply RibbonLyte to upper mounting surface and make all necessary electrical connections. (Run through end caps as needed.)



10. Attach lens to upper lighting channel by sliding or snapping into place.



11. Attach end caps with screws.



12. Affix cover to front of fixture with silicone adhesive to hide screws.