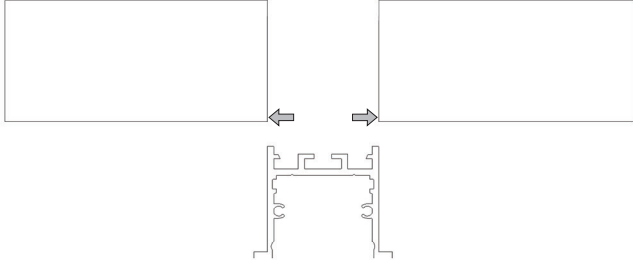
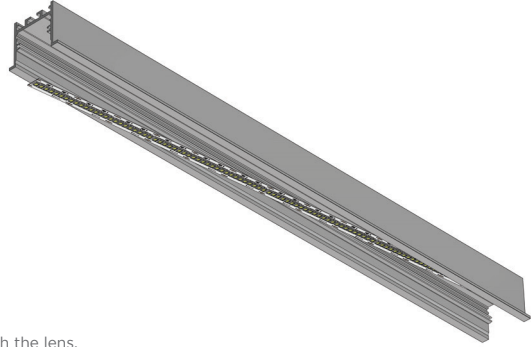




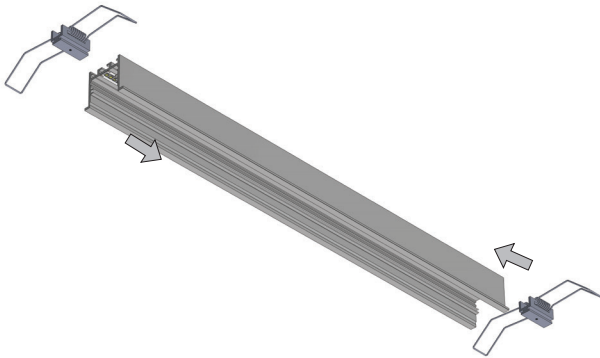
1. Measure and cut a recess in the drywall the width of the W31 channel.



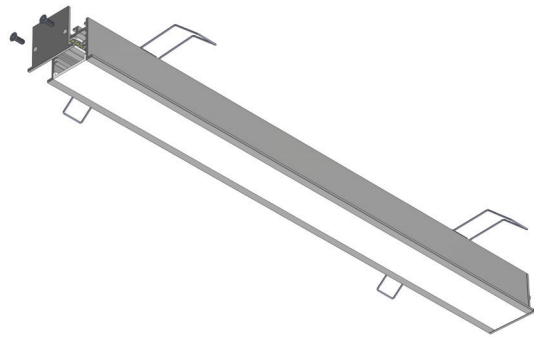
2. Drill hole on the top of W31 for feeding power wires through. Insert Ribbonlyte into channel and make all necessary electrical connections.



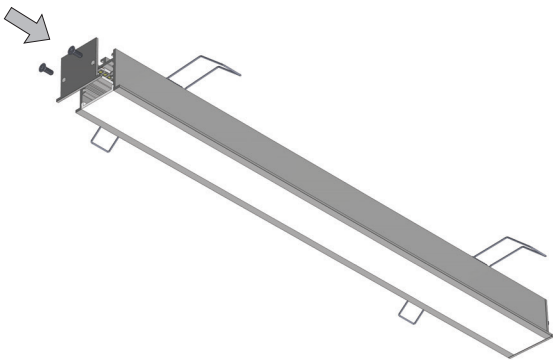
3. Slide the spring clips through the slot on the top of the channel and then fasten in place with the set screws.



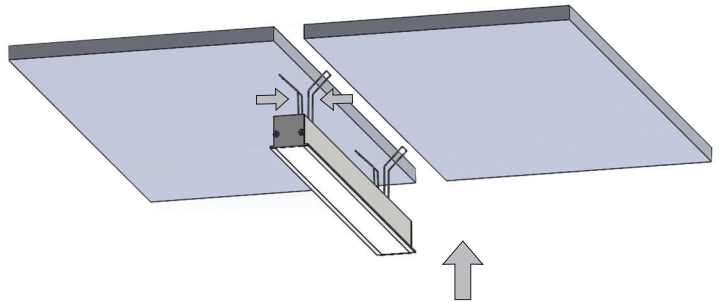
4. Attach the lens.



5. Attach the end caps to both ends.



6. Pull the springs together on the spring clips and feed the fixture through the ceiling so the spring clips sit flush on the hidden surface of the drywall.



7. W31 Fixture installation complete.

