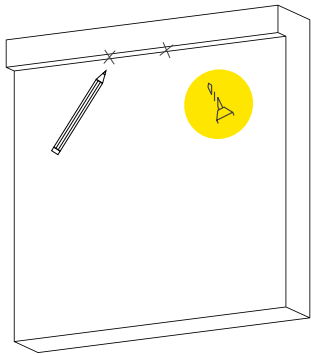


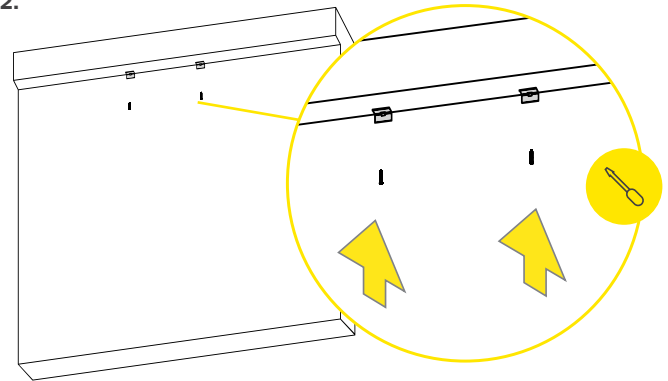


1.



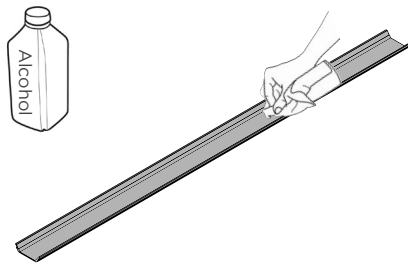
Measure and mark the desired location for mounting clips. Drill pilot holes.

2.



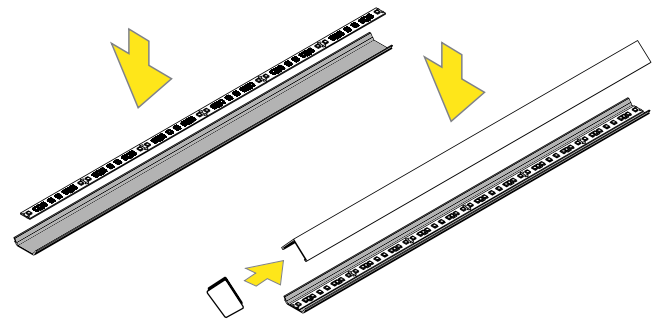
Fasten mounting clips to mounting surface with screws.

3.



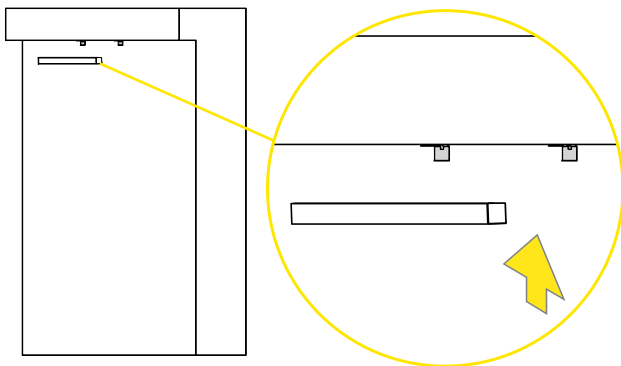
Use rubbing alcohol and clean cloth to wipe interior surface of mounting channel. Dry.

4.



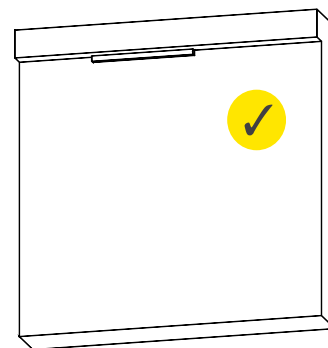
Install RibbonLyte. Make all appropriate electrical connections. (Run wire through end cap for end feed option.) Click lens into mounting channel. Install end caps on each end of the mounting channel.

5.



Click assembled mounting channel into the mounting clips.

6.



Installation complete.