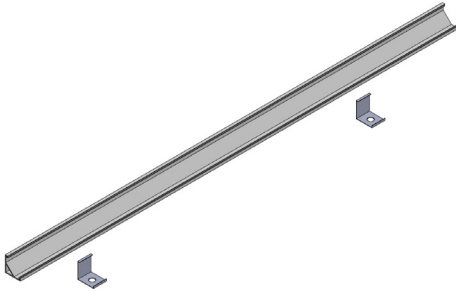
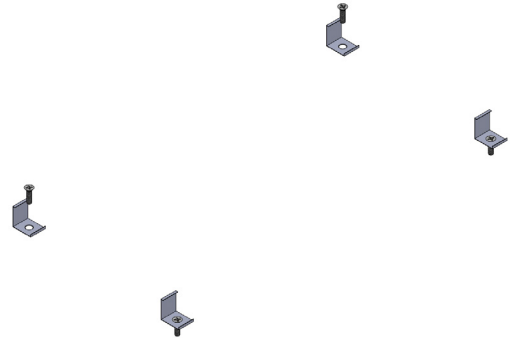




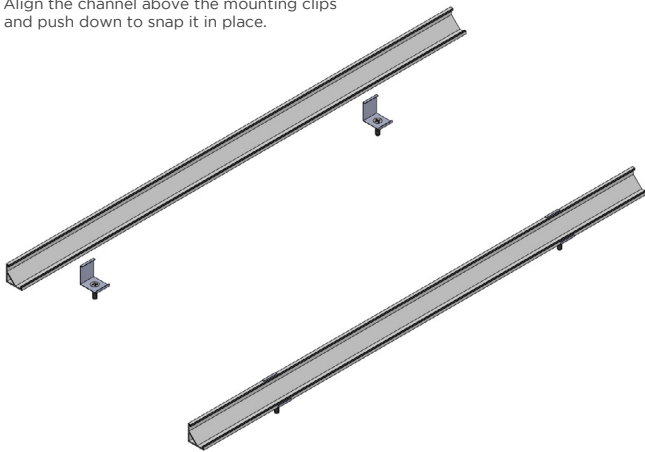
1. Measure and mark the desired location of the corner mounting clips.  
Drill a pilot hole for mounting clip fasteners.



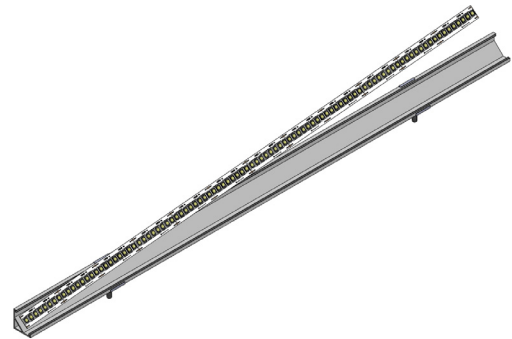
2. Screw the fasteners through the mounting clips  
to fix them in place on the surface.



3. Align the channel above the mounting clips  
and push down to snap it in place.



4. Clean the inside surface of the channel of dust and debris  
with rubbing alcohol and apply ribbonlyte. Make all necessary  
electrical connections



5. Attach the lens and end caps.



6. Fixture installation complete.

