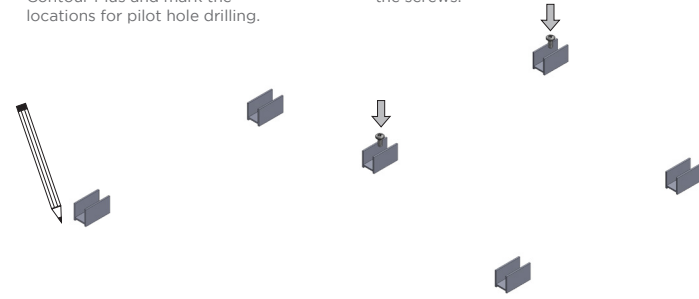


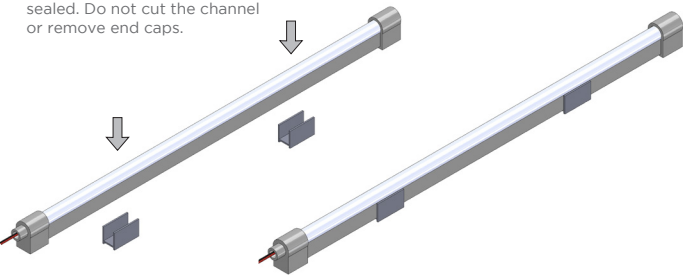


**CONTOUR PLUS W/ MOUNTING CLIPS:**

1. Place the mounting clips along the desired path of the Neon Contour Plus and mark the locations for pilot hole drilling.
2. Drill pilot holes and then fasten the mounting clips to the surface using the screws.

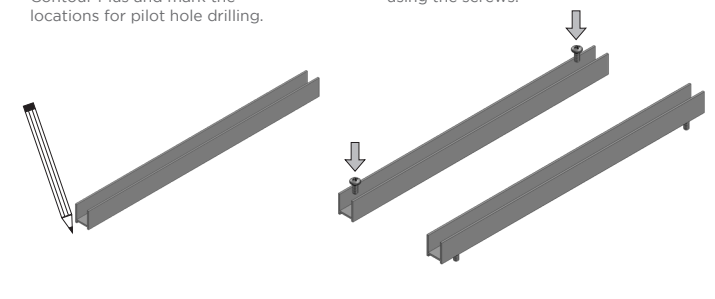


3. Push the Neon Contour Plus into place in the mounting clips and make all necessary electrical connections. All wires should be exposed, and the product is sealed. Do not cut the channel or remove end caps.
4. Installation complete.

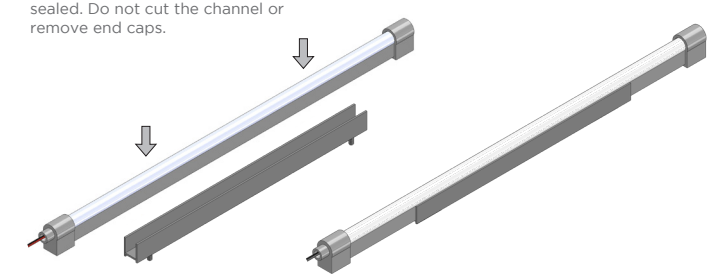


**CONTOUR PLUS W/ MOUNTING CHANNEL:**

1. Place the mounting channel along the desired path of the Neon Contour Plus and mark the locations for pilot hole drilling.
2. Drill pilot holes and then fasten the mounting channel to the surface using the screws.

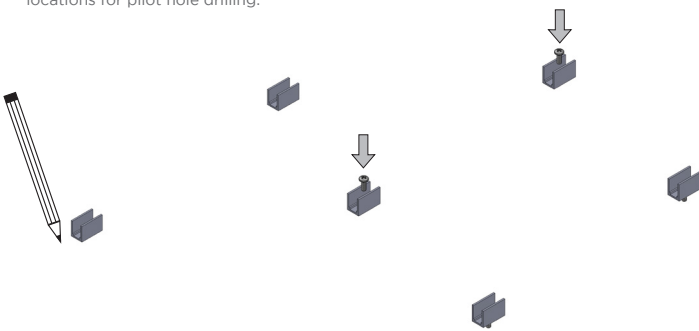


3. Push the Neon Contour Plus into place in the mounting channel and make all necessary electrical connections. All wires should be exposed, and the product is sealed. Do not cut the channel or remove end caps.
4. Installation complete.

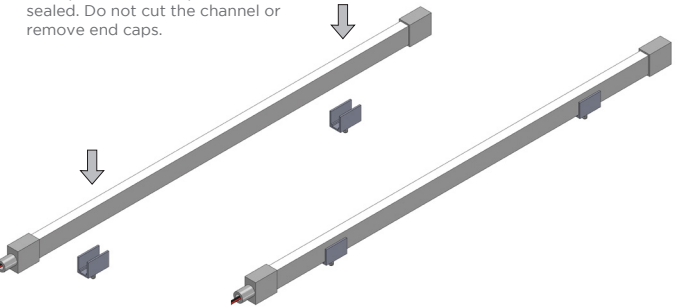


**SILHOUETTE PLUS W/ MOUNTING CLIPS:**

1. Place the mounting clips along the desired path of the Neon Silhouette Plus and mark the locations for pilot hole drilling.
2. Drill pilot holes and then fasten the mounting clips to the surface using the screws.

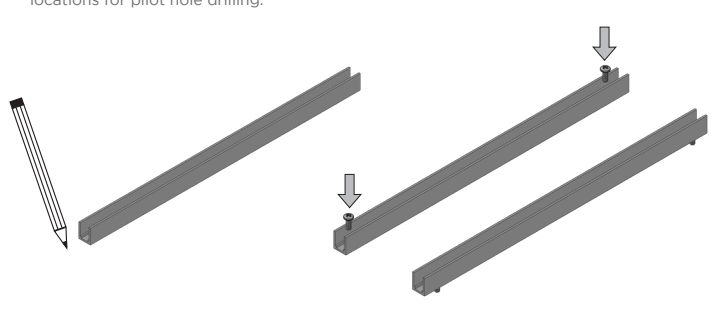


3. Push the Neon Silhouette Plus into place in the mounting clips and make all necessary electrical connections. All wires should be exposed, and the product is sealed. Do not cut the channel or remove end caps.
4. Installation complete.

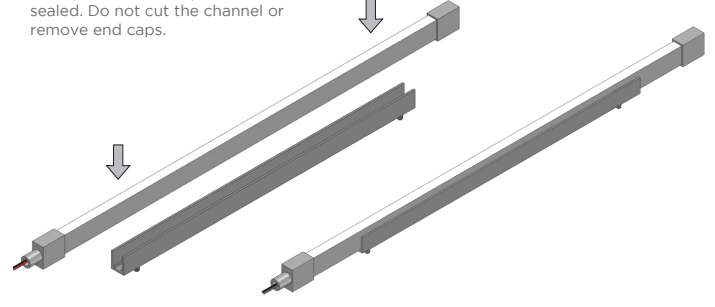


**SILHOUETTE PLUS W/ MOUNTING CHANNEL:**

1. Place the mounting channel along the desired path of the Neon Silhouette Plus and mark the locations for pilot hole drilling.
2. Drill pilot holes and then fasten the mounting channel to the surface using the screws.



3. Push the Neon Silhouette Plus into place in the mounting channel and make all necessary electrical connections. All wires should be exposed, and the product is sealed. Do not cut the channel or remove end caps.
4. Installation complete.



REV.29APR2021